

CLASS 6 – General Purpose Container (Fed. Spec. AA-F-363)

Class 6 filing cabinets are GSA-approved for the storage of secret, top secret, and confidential information.

Protection for 30 man-minutes against covert entry and

Style 1 lock – Kaba Mas X-10 20 man-hours against surreptitious entry.

Style 2 lock – S&G 2740B No forced entry requirements.

Style 1 and 2 locks are in accordance with Federal Specification FF-L-2740



Type I – With hangers and suspension
Style B – Without channel base assembly
Size I – 51 ¼”H x 22”W x 39”D

Approx. Shipping Weight: 1040 lbs
Shipping Cube: 36.1

EMPTY CABINET

7110-01-614- 5817	Gray, Style 1 lock
7110-01-614- 5818	Gray, Style 2 lock
7110-01-614- 5824	Black, Style 1 lock
7110-01-614- 5826	Black, Style 2 lock
7110-01-614- 5834	Parchment, Style 1 lock
7110-01-614- 5836	Parchment, Style 2 lock

Only accessory available is a caster base

Type II – Without hangers and suspension
Style B – Without channel base assembly
Size I – 51 ¼”H x 22”W x 39”D

Empty cabinets are equipped with vertical channels for the installation of optional equipment

Approx. Shipping Weight: 1040 lbs
Shipping Cube: 36.1

EMPTY CABINET

7110-00-931- 0771	Gray, Style 1 lock
7110-01-614- 5819	Gray, Style 2 lock
7110-01-019- 0408	Black, Style 1 lock
7110-01-614- 5820	Black, Style 2 lock
7110-01-024- 5958	Parchment, Style 1 lock
7110-01-614- 5821	Parchment, Style 2 lock

Optional Accessories available:

Shallow drawer (no lock) - nine shallow drawers fit

Shallow drawer (with lock)

Regular drawer

Shallow and regular drawer inserts

Security locker

Adjustable shelf

Drawer with keylock

Cross Trays

Caster Base

CLASS 6 – General Purpose Container (Fed. Spec. AA-F-363)

Class 6 filing cabinets are GSA-approved for the storage of secret, top secret, and confidential information.

Protection for 30 man-minutes against covert entry

Style 1 lock – Kaba Mas X-10 20 man-hours against surreptitious entry.

Style 2 lock – S&G 2740B No forced entry requirements.

Style 1 and 2 locks are in accordance with Federal Specification FF-L-2740

Type II – Without hangers and suspension

Style B – Without channel base assembly

Size III – Outside 57-1/2”H x 22-1/2”W x 38-5/8”D

Inside (min clear opening) 49-3/4”H x 20-5/8”W x 35-3/8”D

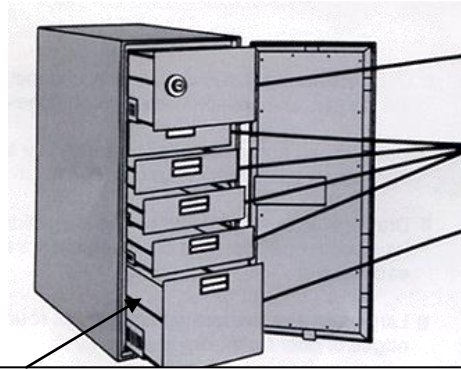
Vertical channels (set of 4 furnished w/cabinet) required for installation of optional lockers, drawers or shelves

Approx. Shipping Weight: 1230 lbs

Shipping Cube: 50.26

EMPTY CABINET

7110-01-614-5822	Gray, Style 1 lock
7110-01-614-5823	Gray, Style 2 lock
7110-01-614-5827	Black, Style 1 lock
7110-01-614-5831	Black, Style 2 lock
7110-01-614-5835	Parchment, Style 1 lock
7110-01-614-5837	Parchment, Style 2 lock



Please note, the drawers are accessories and must be ordered separately.

Optional Accessories available:

- Shallow drawer (no lock) - nine shallow drawers fit in the cabinet
- Shallow drawer (with lock)
- Shallow drawer inserts
- Regular drawer inserts
- Security locker
- Adjustable shelf
- Drawer with keylock
- Cross Trays
- Caster Base
- Regular drawer