

Burial 137

Series 18

Catalog No. 882

Datum point: 43

Grid coordinates: S 63, E 75

Elevation of cranium: 3.86 feet AMSL

Temporal group: Late

Burial 137 contained the remains of an adult between 25 and 35 years old, of undetermined sex. The remains were in place but had been severely crushed at some time in the past. The grave was located in the northern part of the excavated cemetery, toward the rear of former Lots 14 and 15, well north of the line of postholes that represented a fence that once crossed the cemetery. The grave-shaft outline was rectangular in shape and filled with mottled silty clay. Three circular disturbances were recorded at the west part of the burial, but they were not investigated.

The coffin lid was first recorded at an elevation of 3.76 feet, and the bottom was reached at an elevation of 3.40 feet. Only small sections of the north and south coffin sides were preserved. A wood sample was identified as pine. Because the burial was badly disturbed, the coffin shape could not be determined. A few nails were recorded along its apparent perimeter. The deceased had been placed in the supine position with the head to the west.

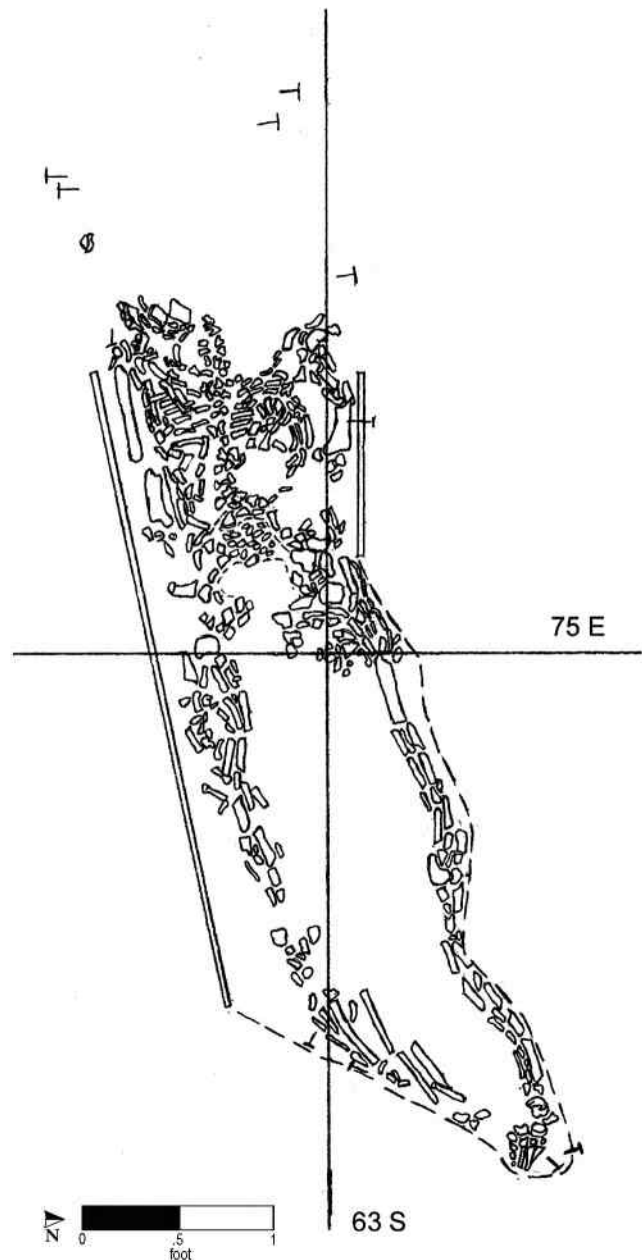
The mandible was present but the rest of the cranium was missing. The surviving skeletal elements, although completely crushed and fractured, were articulated. Skeletal elements from another burial were exposed along the north edge of the burial during excavation. These were from Burial 165, which lay immediately below.

Two pig teeth, one whole and one partial, were recovered from the burial, but the exact provenience was not recorded. It was initially assumed that the pig teeth came from a local pig and was intrusive in the burial. However, its high strontium isotope ratio suggests that the tooth came from an African-born pig.

Burial 137 may have been placed deliberately above Burial 165. Burial 165, buried without a coffin, held another adult for whom neither age nor sex could be determined. The pair of graves was spa-

tially separate from other burials but may have been aligned in a roughly north-south row with other burials to the south (Burials 223, 150, 199, and 211) and north (Burial 201), perhaps along a contour on the original hillside.

Because of its location north of the fence line, this burial is placed in the Late Group.



Burial No. 137 (drawn by M. Schur on 1/20/92; Drawing No. 336).

Burial 138

Catalog No. 883

Datum point: 42

Grid coordinates: S 67.5, E 86

Elevation of cranium: 4.13 feet AMSL

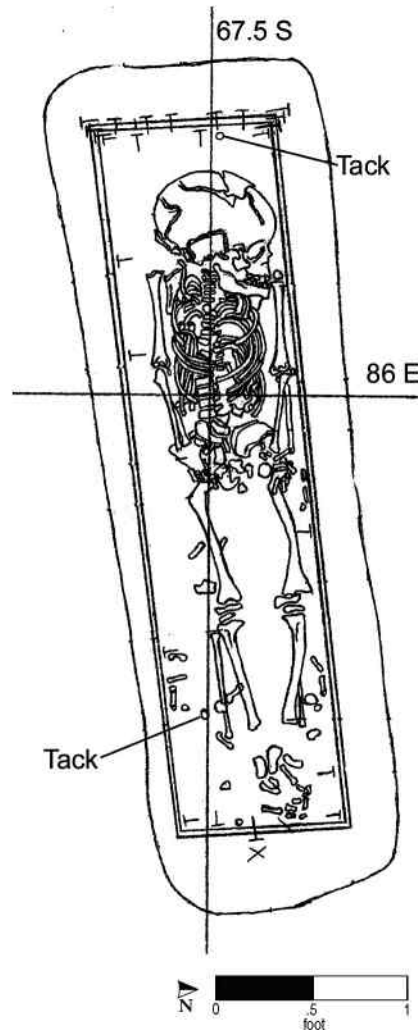
Temporal group: Late

Burial 138 was of a child between 3 and 5 years of age. The grave was located at the rear of former Lot 15, just to the north of the alignment of post-holes marking a fence that once crossed the cemetery. The grave-shaft outline, clearly delineated, was basically rectangular in shape. The soil filling the shaft was described as mottled silty clay. Two sherds of salt-glazed stoneware, a sherd of redware (possibly a waster from the redware manufactory nearby), and a piece of the stem of a clay tobacco pipe were found in the soil. A bowl fragment from a clay pipe was also found in a soil sample taken near the coffin lid. The pipe fragments were most likely in the general surface scatter of debris when the grave was dug, rather than placed with the deceased deliberately.

The child had been placed in a rectangular coffin, in the supine position with the head to the west. Field records indicate that the pelvis and both feet of the child had been disturbed, which excavators suggested might have been the result of rodent activity. The coffin lid was recorded at an elevation of 4.58 feet and the bottom at 3.66 feet. Nails were recorded in situ at both top and bottom, including four at each corner of the head of the coffin and five more attaching the headboard to the lid. The excavators recorded two “tinned” tacks, one at the headboard and one near the right foot. Two more tacks, from unknown locations, were later inventoried in the laboratory. All four of these tacks were set aside to be X-rayed and were not recovered after the collapse of the World Trade Center.

Two additional tacks, found during cleaning of the skeletal remains, survived and were reburied. One was found with the right foot and one with the right patella (knee cap). These two tacks were photographed digitally.

Because of its location north of the former fence line, this burial is placed in the Late Group.



Burial No. 138 (drawn by M. Schur on 1/17/92; Drawing No. 333).

Burials 139, 140, 141

There are no Burials 139, 140, or 141 (these numbers were voided).

Burial 142

Series 12

Catalog No. 887

Datum point: 41B (0.02 feet below Datum Point 41)

Grid coordinates: S 88, E 90

Elevation of cranium: 4.03 feet AMSL

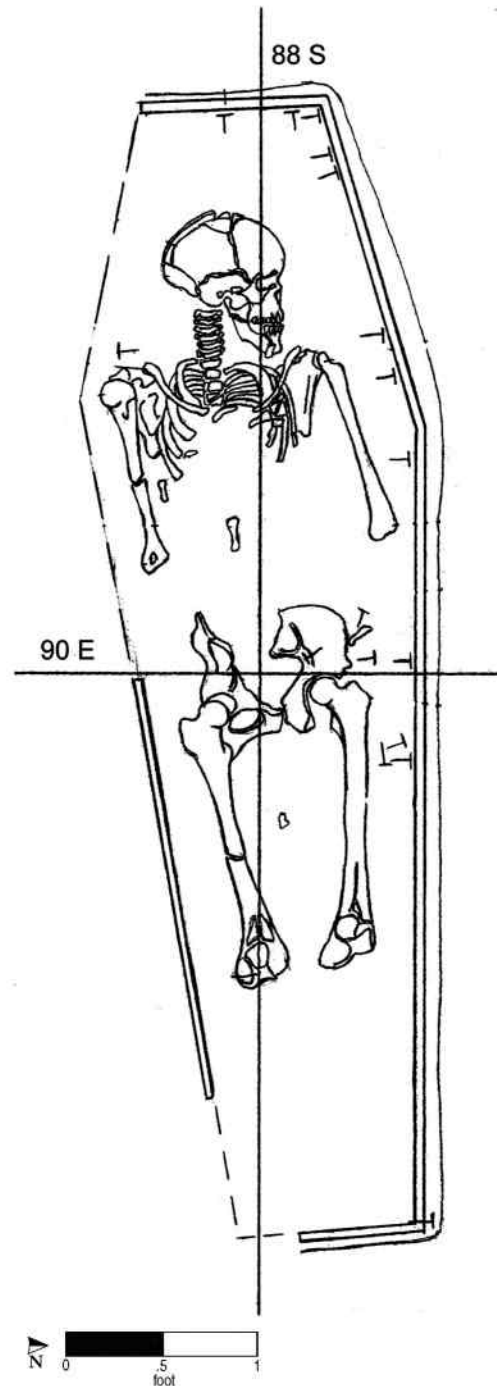
Temporal group: Middle

Burial 142 was of a woman between 25 and 30 years of age. The coffins of two infants, Burials 144 and 149, lay immediately above that of the woman. The two small coffins were exactly aligned with that of Burial 142 and had been placed so as to fit side by side on the top of the woman's coffin. It is clear that all three were interred together. The grave was located at the north edge of the former Republican Alley, at the rear of former Lot 15. The southern edge of the grave shaft was not visible; either the removal of a foundation wall above, or the disturbance from Burial 115 immediately to the south, obscured the southern edge of the grave shaft. The only artifacts found in the shaft fill were a fragment of animal bone and one sherd of coarse, blue-painted, salt-glazed stoneware, recovered from soil above Burial 149.

The woman's coffin was hexagonal in shape, and she had been placed in the supine position with her head to the west. Her left and right ulnae, radii, tibiae, fibulae, and all foot bones were missing; a few hand bones were found scattered among the remains. No artifacts other than the coffin itself were found in the burial.

Burial 142 was slightly disturbed along the southwest edge, suggesting that adjacent Burial 115 postdated Burial 142, although perhaps not by a long period of time. Burial 294 was mapped as partially underlying the western end of Burial 142, but it was recorded at a higher elevation than the latter. Burial 294 was excavated 2 months after Burial 142, and it was substantially intact; only the southeast edge of the grave-shaft outline was indistinct. Burial 294 was either mapped incorrectly or its elevation was recorded inaccurately. Its actual relationship to Burial 142 cannot be determined.

In the absence of evidence that would place this triple burial, Burials 142, 144, and 149, earlier or later in time, it is assigned to the Middle Group.



Burial No. 142 (drawn by M. Schur on 1/24/92; Drawing No. 344).

Burial 143

See Burial 126.

Burial 144

Series 12

Catalog No. 889

Datum point: 41B (0.02 feet below Datum Point 41)

Grid coordinates: S 88, E 90

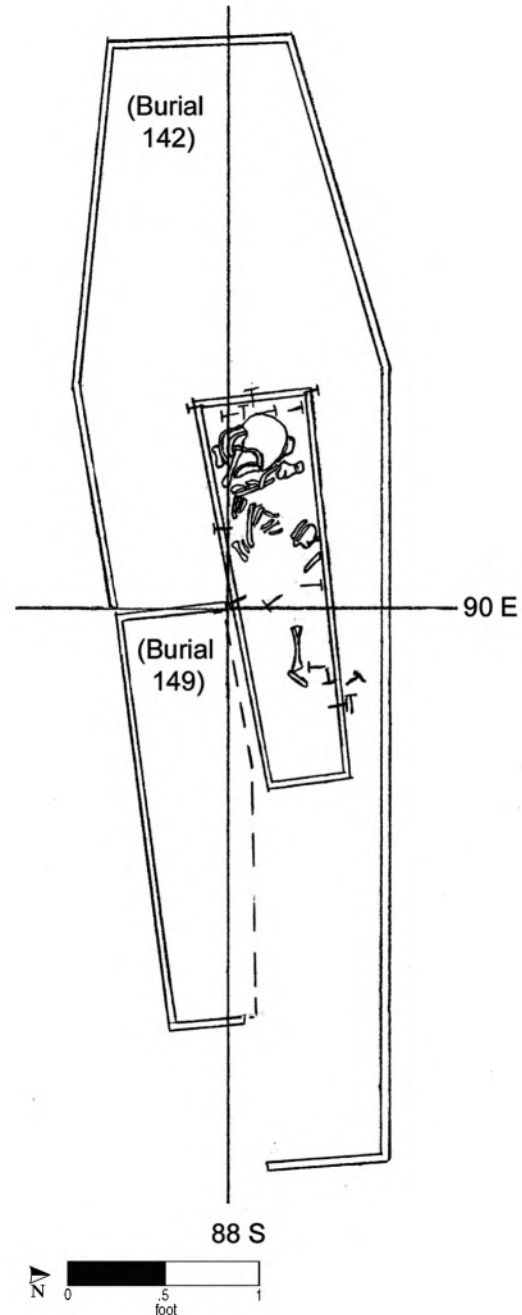
Elevation of cranium: 3.78 feet AMSL

Temporal group: Middle

Burial 144 was of an infant under 2 months old. The small coffin had been placed directly on top of that of Burial 142, a woman between 25 and 30 years of age, and alongside that of Burial 149, an infant under 1 year of age. It is clear that all three were buried together.

The Burial 144 coffin was four sided, tapering slightly toward the foot. The infant had been placed in the supine position with the head to the west. The skeletal remains were fragmented and in poor condition, with the majority of the long bones missing. Three straight pins were noted in the field records, but their locations were not recorded. A concentration of hair was also observed on the left side of the skull.

In the absence of evidence that would place this triple burial earlier or later in time, Burials 144, 142, and 149 are assigned to the Middle Group.



Burial No. 144 (drawn by M. Schur on 1/24/92; Drawing No. 345).

Burial 145

Series 15B

Catalog No. 890

Datum point: 42

Grid coordinates: S 73.5, E 74

Elevation of coffin lid (no human remains): 4.88 feet AMSL

Temporal group: Late-Middle

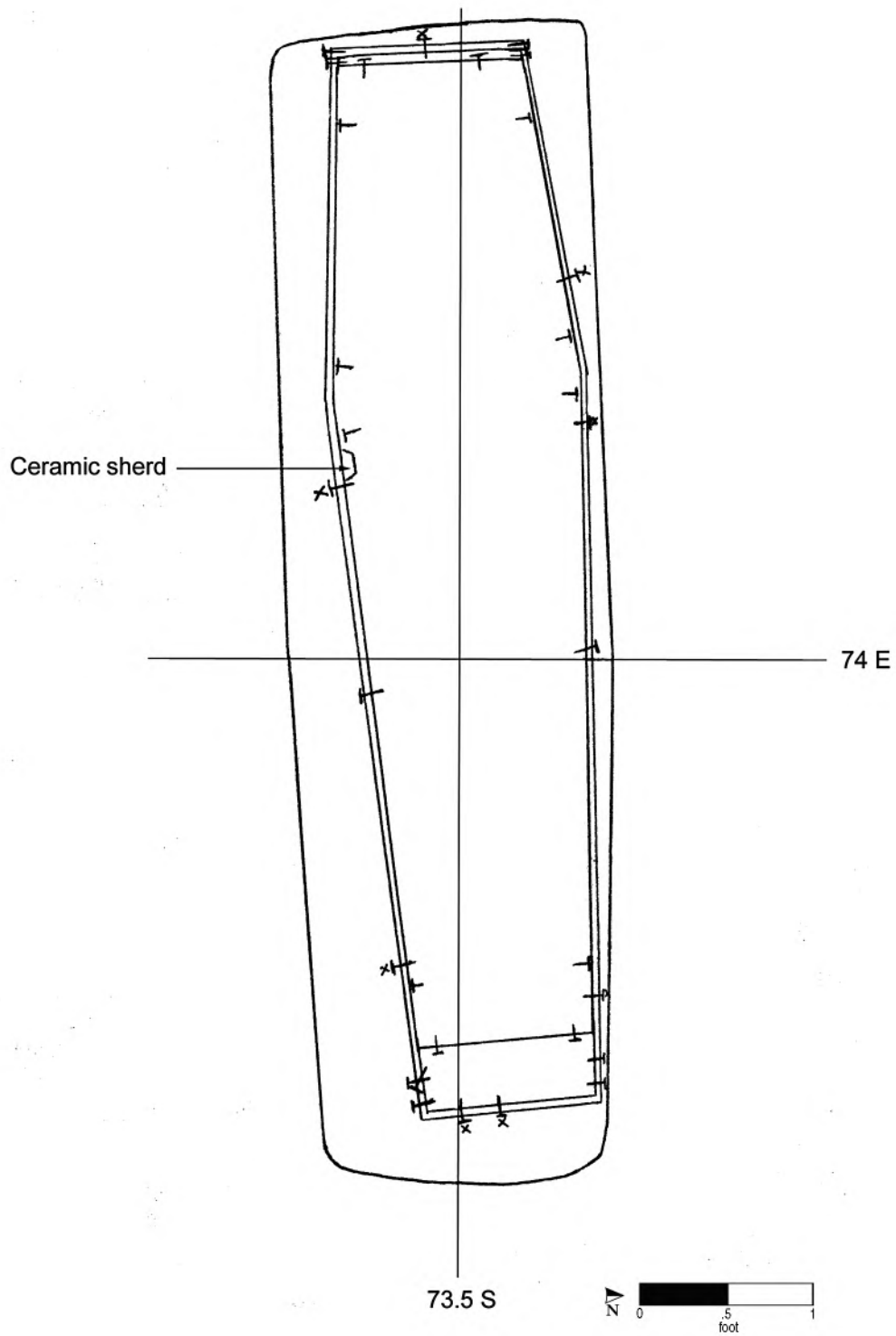
Burial 145 yielded a coffin with no human remains inside. The grave-shaft outline was clearly visible, and it was filled with gray-brown silt mottled with clay sand. Excavators recovered a fragment of bottle glass, coal (possibly intrusive), two fragments of oyster shell, salt-glazed stoneware sherds, and a piece of kiln furniture from the shaft fill. Four of the sherds had an unidentified blue-painted decoration; although probably from one large jug, they do not appear to represent a whole vessel placed in the grave. A second burial, Burial 146, which held a newborn, lay atop the empty Burial 145 coffin.

The upper elevation recorded for the coffin was 4.88 feet and the bottom was at 3.74 feet (in the center). It was hexagonal in shape and was in good condition. The footboard was slanted outward at the top, and it appeared to be unusually deep. Numerous coffin nails were recorded in situ around the perimeter at both top and bottom.

A posthole, designated as Feature 60, lay immediately adjacent to the burial shaft at its northwest corner. Field notes for the feature indicate that it cut into subsoil but not into the grave shaft; unfortunately, the feature was sectioned east-to-west rather than north-south, and it is not possible to tell whether the grave shaft cut into the filled posthole or immediately abutted it. The bottom elevation recorded for the posthole was 3.32 feet, which was below the level of the coffin bottom. Three more postholes were in the immediate vicinity, Features 61, 62, and 202. Aligned roughly with Feature 60, the postholes probably were the remnant of one or more fences that crossed the cemetery along the patent boundary. Burials 176 and 310, located to the west of Burial 145, also appear to have been placed exactly along the south side of the fence line. Because of this apparent pattern, it is hypothesized that all three were interred while a fence was standing and at a time when the graves within the cemetery were crowding close to the northern edge.

The southeast part of the grave shaft of Burial 145 overlay the northwestern portion of Burial 200, an Early Group interment. Burial 145 is assigned to the Late-Middle Group because of its position relative to the fence.

Burial 145 (cont.)



Burial No. 145 (drawn by W. Williams on 2/3/92; Drawing No. 364).

Burial 146

Series 15B

Catalog No. 891

Datum point: 42

Grid coordinates: S 73.5, E 74.5

Elevation of cranium: 4.72 feet AMSL

Temporal group: Late-Middle

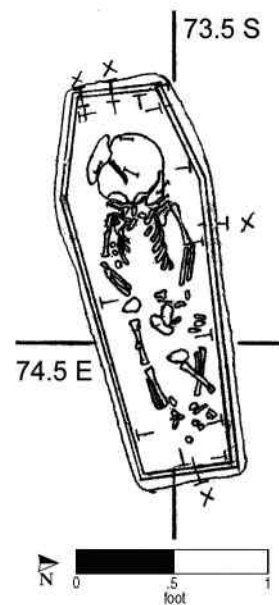
Burial 146 was of a newborn. The remains of a tiny coffin and skeleton were visible within soil described as damp gray clay. The burial was pedestaled and removed intact to the laboratory. Burial 146 lay directly upon the coffin lid of Burial 145, sharing a single grave. The Burial 145 coffin contained no human remains but was adult in size. Items recovered from the grave shaft included a fragment of bottle glass, coal (possibly intrusive), two oyster shell fragments, salt-glazed stoneware sherds, and a piece of kiln furniture. Four of the sherds had an unidentified blue-painted decoration; although probably from one large jug, they do not appear to represent a whole vessel that had been placed in the grave.

The infant's coffin lid was first encountered at an elevation of 4.94 feet. It was hexagonal in shape. The baby had been placed in the supine position, with the head to the west and arms resting at the

sides. Seventeen coffin nails were recorded in situ around the perimeter. In addition, eight straight pins were recorded in situ, seven on or near the cranium and one over the pelvis.

Fifty-one small seeds and six seed fragments were found in a cluster above the child's thoracic (chest) cavity; three were also recovered from the area between the tibias. These seeds had not been identified as of September 11, 2001, and they were not salvaged after the destruction of the World Trade Center. Hundreds of other seeds and seed fragments, identified through the analysis of soil samples from the burial, were all of jimsonweed, save for a single nightshade-family seed.

As noted for Burial 145, the position of this grave relative to the alignment of the fence and in relation to other graves in the vicinity, suggests its placement in the Late-Middle Group.



Burial No. 146 (drawn by M. Schur on 1/21/92; Drawing No. 337).

Burial 147

Catalog No. 892

Datum point: 58

Grid coordinates: S 70.5, E 56.5

Elevation of cranium: 3.88 feet AMSL

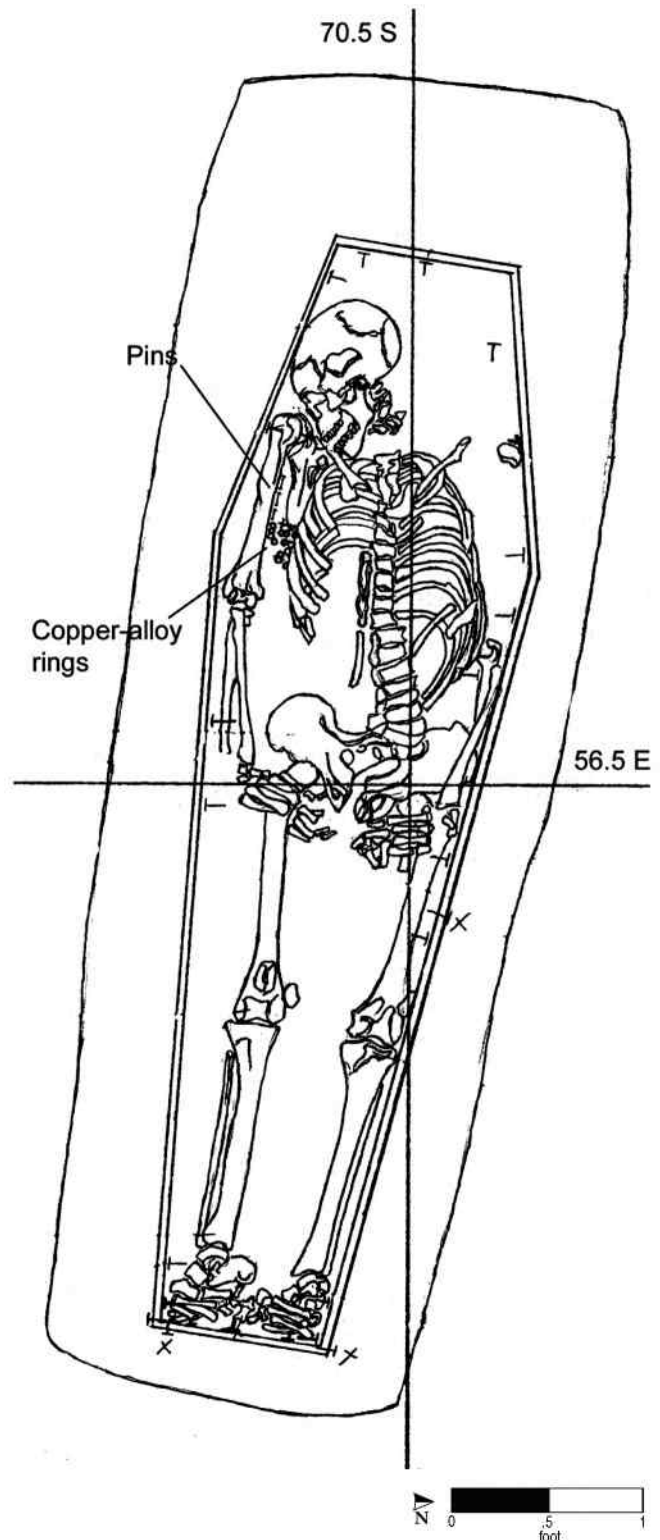
Temporal group: Late

Burial 147 was of a man between 55 and 65 years old. The grave was located just to the north of the line of postholes marking where a fence once crossed the northern part of the cemetery. The shaft outline appeared to be rectangular in shape. The fill of the grave shaft was mottled orange and gray silty sand and clay with intrusions of red sand. The excavator noted that the northwest part of the burial was heavily disturbed by rodents or some sort of burrow. Because of this disturbance, the left humerus and scapula were missing and the coffin edges were difficult to follow. However, the final drawing shows a distinct coffin edge. Only three medium-sized mammal bones were recovered from the grave-shaft fill.

The elevation of the coffin lid was recorded at 3.81 feet and the bottom at 3.4 feet. It was hexagonal in shape, and the wood was identified as white cedar. Twenty-three nails were recorded in situ around the perimeter of the coffin at both top and bottom. The man was placed in the supine position with his hands resting on the pelvis. The remains were described as in fair to poor condition.

Four pins were recorded in situ aligned next to the right humerus. Fourteen metal rings were also recorded in the field between the right humerus and rib cage; however, during examination in the laboratory, only seven copper rings were reconstructed and identified. The group of pins and rings is considered a possible talisman or conjuring bundle of some kind.

Burial 147 did not overlap with any other burial. It is possible it was aligned in a north-south row with Burials 197 and 196 to its south. The area to its north was disturbed, and it is possible other burials here were destroyed. Because of its location north of the fence, Burial 147 is placed in the Late Group.



Burial No. 147 (drawn by M. Schur on 1/25/92; Drawing No. 347).

Burial 148

Series 11

Catalog No. 893

Datum point: 40

Grid coordinates: S 91.5, E 70

Elevation of cranium: 3.27 feet AMSL

Temporal group: Middle

Burial 148 held the remains of a young adult between 12 and 18 years old, of undetermined sex. The grave was located within the footprint of the former Republican Alley, to the rear of former Lot 14. Its shaft contained mottled clayey silt. During excavation, skeletal material belonging to an overlying grave, Burial 99 (immediately adjacent, to the northwest) was removed.

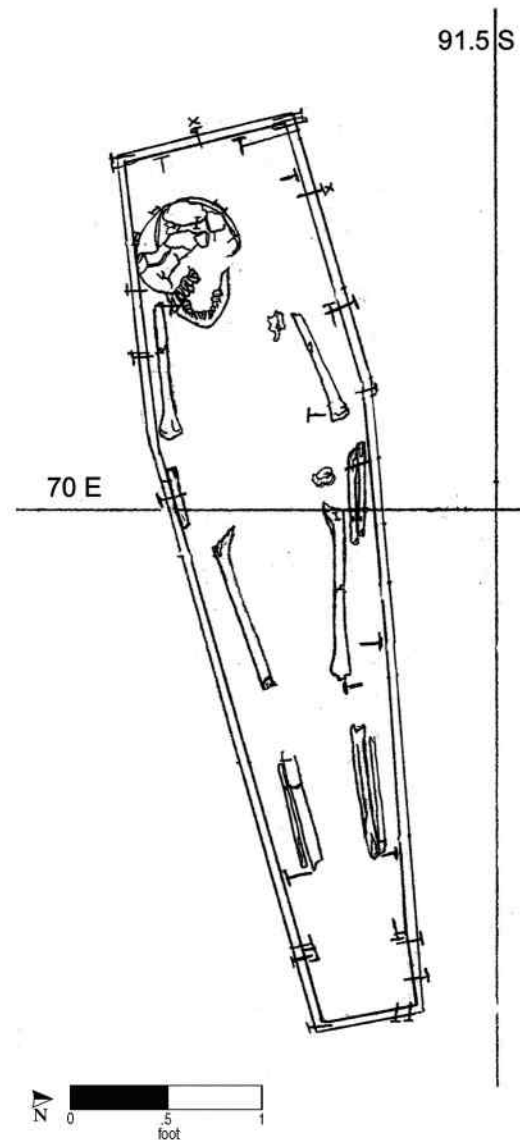
The coffin lid was first uncovered at an elevation of 3.66 feet along the center of the west side, and the coffin bottom was at 2.97 feet. Nails were recorded in situ around the perimeter. The coffin was hexagonal. The deceased had been placed in the supine position with the head to the west and arms resting at the sides. The remains were in poor condition; the torso and portions of the long bones and pelvis were missing.

Six pins and pin fragments were recorded in the burial, four on the cranium, one on the left femur, and one next to it between the left radius and ulna. However, only three pin fragments were recovered. In addition, one pin was noted in field records as being from Burial 99. This pin was not identified in the laboratory, and one of the fragments now cataloged as Burial 148 may actually be from Burial 99.

Burial 148 cut into and destroyed the western half of an earlier grave, Burial 155. Burial 148 also cut into the north edge of the grave shaft of Burial 182 but did not disturb the coffin or remains. The

severely disturbed later grave of Burial 99 appears to have overlain the northwest part of Burial 148. Excavators were convinced that Burial 99 had cut into Burial 148, disturbing portions of the latter's torso.

Because of its stratigraphic position, Burial 148 is assigned to the Middle Group.



Burial No. 148 (drawn by W. Williams on 2/4/92; Drawing No. 365).

Burial 149

Series 12

Catalog No. 894

Datum point: 41

Grid coordinates: S 88, E 90

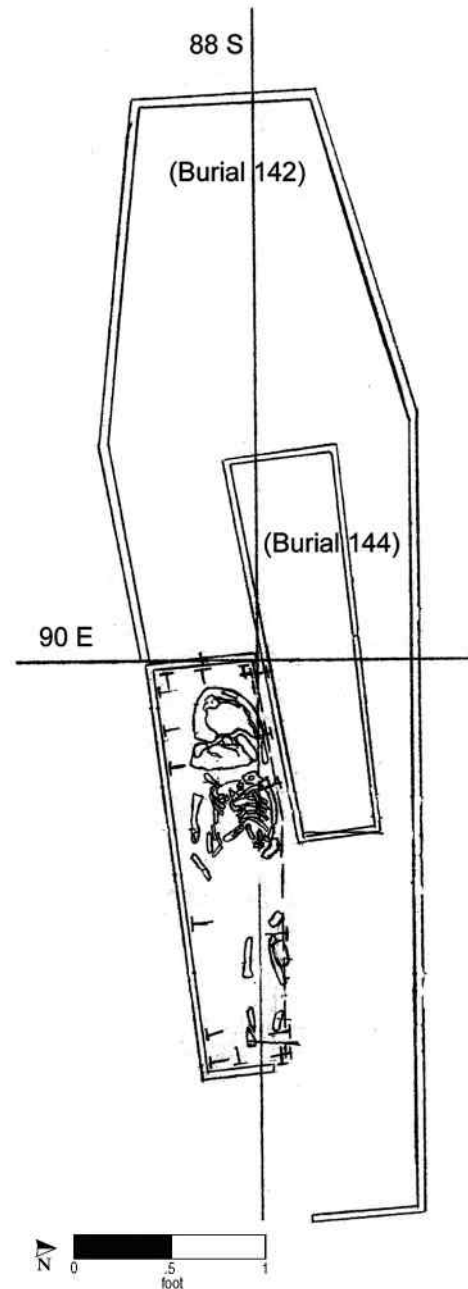
Elevation of cranium: 3.85 feet AMSL

Temporal group: Middle

Burial 149 was of an infant between 6 months and 1 year of age. The small coffin had been placed directly on top of that of Burial 142, a woman between 25 and 30 years of age, and alongside that of Burial 144, an infant believed to have been less than 2 months old. It is clear that all three were buried together.

The infant had been placed in a four-sided coffin, in the supine position with the head to the west. Skeletal remains were fragile and in poor condition; portions of the long bones were missing. A shroud pin was recorded in situ in the rib area, and a concentration of hair was observed on the cranium.

In the absence of evidence that would place this triple burial earlier or later in time, Burials 149, 144, and 142 are assigned to the Middle Group.



Burial No. 149 (drawn by M. Schur on 1/24/92; Drawing No. 346).

Burial 150

Series 16

Catalog No. 895

Datum point: 42

Grid coordinates: S 71, E 80

Elevation of cranium: 4.43 feet AMSL

Temporal group: Late

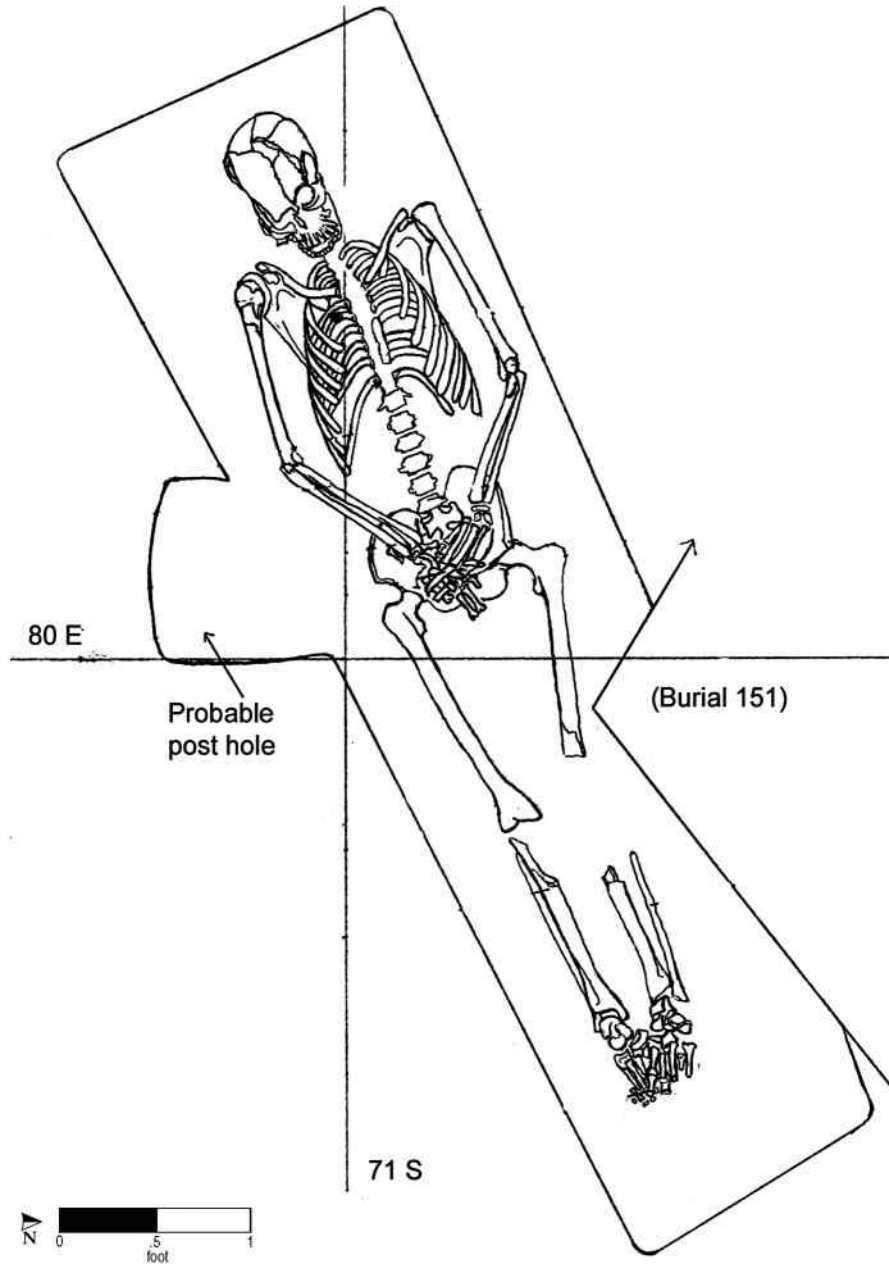
Burial 150 was of a woman whose age could be tightly calculated at between 20 and 28 years. The grave-shaft outline was recorded as irregularly shaped with a squared extension on the south side approximately 1 foot wide. A line of postholes extended across this section of the site, and it is likely a posthole accounts for the apparent irregularity of the grave shaft, which was actually rectangular. Because no soil distinction was made between the posthole and the burial shaft fill, it is not possible to determine which cut into the other. Any material from the posthole would have been bagged in the field along with artifacts from the grave shaft. Eleven sherds of salt-glazed stoneware, two pieces of kiln furniture, and a piece of kiln waste, as well as three fragments of oyster shell were recovered. The north side of the grave shaft had been partially cut by Burial 151.

As excavation began, it became apparent that there was no coffin present. The woman's cranium was exposed at 4.43 feet, and this was the highest point

for her skeletal remains. The lowest elevation recorded for the skeletal remains was 3.88 feet. The woman had been placed in the ground in the supine position with her head to the west and her hands crossed over her pelvis. The skeletal remains were in fair condition with the exception of the sternum, vertebral column, and the sternal ends of the ribs, which excavators noted had suffered much attrition and were very fragile. The legs suffered damage during excavation. Excavators noted ceramics found "in association with" the femurs but did not mention specific proveniences; these items were bagged along with the grave-shaft fill. However, it is likely that the ceramics were present in the soil matrix into which the grave was dug, rather than having been placed with the deceased. Excavators noted that they removed the grave fill down to underlying yellow-orange sand subsoil.

The interment of Burial 150 must have taken place either before the fence was constructed or after it came down. It could not have taken place while the fence was standing. The burial was flanked by other coffinless burials, Burial 223 to the north and Burials 199 and 211 to the south. The row spans the line of postholes, and it is possible the whole group postdates the destruction of the fence during the British occupation of New York. It is clear that Burial 151, which did have a coffin, was later than Burial 150.

Burial 150 (cont.)



Burial No. 150 (drawn by W. Williams on 2/11/92; Drawing No. 401).

Burial 151

Series 16

Catalog No. 896

Datum point: 42

Grid coordinates: S 67.5, E 83

Elevation of cranium: 3.84 feet AMSL

Temporal group: Late

Burial 151 held the remains of a man between 35 and 45 years of age. The grave lay immediately north of the line of postholes that marked a former northern boundary of the cemetery. It was oriented distinctly toward the southwest, more southerly in orientation than other burials that were excavated at the cemetery. The grave-shaft outline was visible along the north, east, and part of the south sides; the southwest portion of the outline, where it cut into that of the adjacent Burial 150, was not visible to excavators. The shaft fill consisted of mottled silty clay. A kiln spacer was the only artifact recovered from the shaft fill.

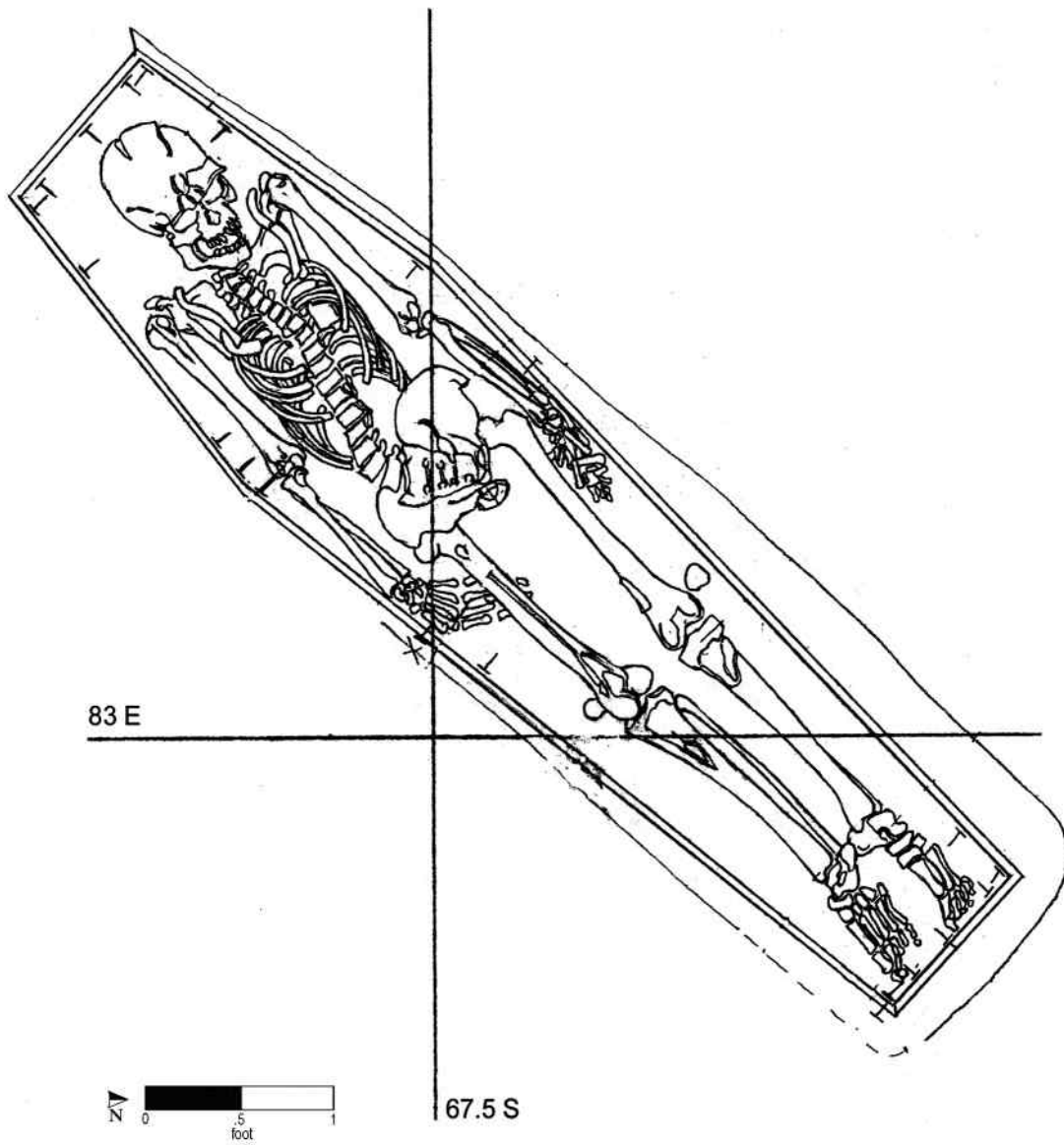
The hexagonal coffin lid was encountered at an elevation of 4.36 feet in the northwest corner, and its bottom was recorded at 3.03 feet in the center of the eastern edge. Nails were recorded in situ

around the coffin perimeter (3 at the top and 18 at the bottom). The man had been laid with his head to the southwest, perhaps suggesting a winter burial. He was placed in the supine position with his arms resting at his sides; his right hand palm was up and the left palm was down. The skeletal remains were in fair condition, although most of the long bones were crushed or broken. Excavators noted that the right leg was turned “backward.” It is possible the leg had been severed before or after death and placed in the coffin in this position. The man’s incisors had been filed.

Other than the coffin remains, the only artifacts recorded in situ were one straight pin at the neck and a fiber fragment recovered from the light-fraction of a soil sample taken from the coffin lid.

Burial 151 cut into the northeast part of the grave shaft of Burial 150, which was of a woman about 24 years old, buried without a coffin. Because of its location north of the fence line, Burial 151 has been assigned to the Late Group, and because it post-dates another Late Group burial that had no coffin, it is presumed to be among the very latest burials within the excavated site.

Burial 151 (cont.)



Burial No. 151 (drawn by M. Schur on 1/26/92; Drawing No. 348).

Burial 152

Catalog No. 897

Datum point: 48

Grid coordinates: S 55.5, E 67

Elevation of highest point of skeletal remains: 1.9 feet AMSL

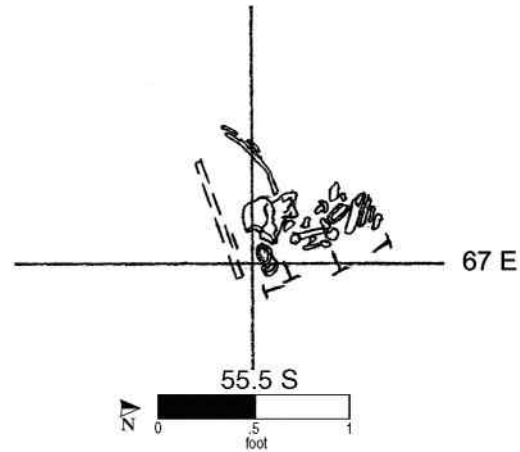
Temporal group: Late

Burial 152 was of an individual whose sex and age could not be determined. The grave was truncated and extremely disturbed by nineteenth-century construction within Lot 14. Only the foot end of the burial was extant; there were some fragments of left foot bones. No grave-shaft outline was apparent. The grave fill was described as compact gray clay, and no artifacts were recovered from within it.

The elevation of the highest point of this burial was recorded at 1.9 feet and the bottom at 1.72 feet. A coffin was present, but the shape could not be determined. Five nails were recorded in situ and at least four additional nails were inventoried in the laboratory. The orientation of the burial was impossible to

determine. The bones were disarticulated, crushed, and broken. No artifacts other than the coffin nails were directly associated with the human remains.

Burial 152 was isolated, but it is possible that nearby burials had been removed in the nineteenth century. This burial was assigned to the Late Group because of its location north of the fence line.



Burial No. 152 (drawn by M. Schur on 1/23/92; Drawing No. 342).

Burial 153

Catalog No. 898

Datum point: 49

Grid coordinates: S 54.5, E 74

Elevation of cranium: 1.48 feet AMSL

Temporal group: Late

Burial 153 was of a probable woman of undetermined age. The grave was located in the central part of Lots 14/15 and had been truncated by a large wood-lined privy shaft on Lot 15, designated Feature 56. The left humerus, as well as the right femur, and all other leg and foot bones were missing. The grave shaft was only visible in the south-west part of the grave, where it was ovoid in shape. The grave fill was described as yellow-brown sandy clay. No grave-fill artifacts were associated with this burial.

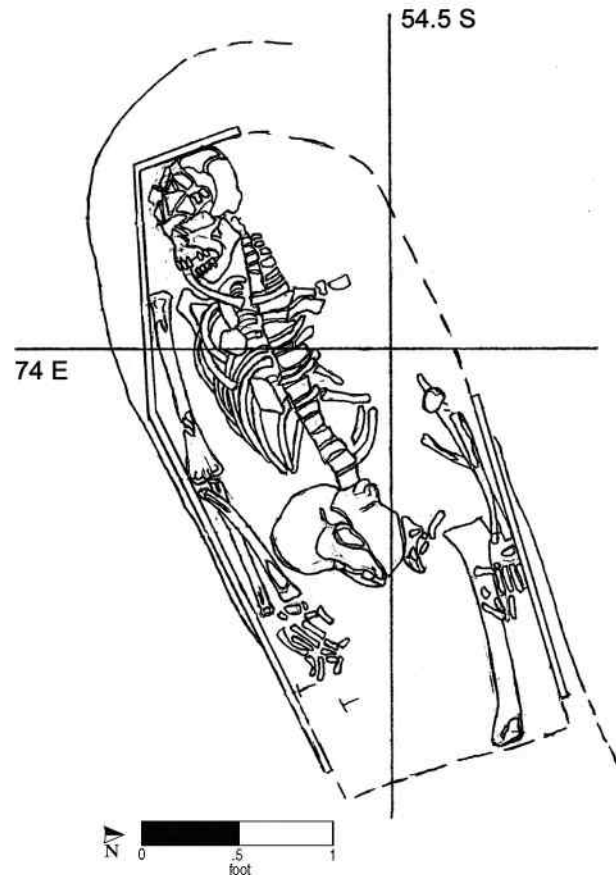
The elevation of the coffin lid was recorded at 1.79 feet, the bottom at 1.17 feet. The coffin was hexagonal in shape, and a wood sample from an unspecified location was identified as cedar. Nails were recorded in situ at the top and bottom on the south side, and additional nails were inventoried in the laboratory. An unidentified disturbance had removed the northwest corner of the coffin.

The woman was in a supine position with her arms at the sides and her head to the west. The skeletal remains were in very poor condition; the skull was crushed and no bone was complete. Several straight pins were recorded in situ in the opening plan map, one at the cranium and four near the location of the right arm, although these were not depicted in the

final skeletal drawing. Copper staining was noted on the right humerus.

It is likely that the remains designated Burial 157 (consisting of a redeposited right femur, lower leg, and foot bones found on the east side of Feature 56) belong to the same individual as Burial 153.

Burial 153 has been assigned to the Late Group because of its location north of the fence line.



Burial No. 153 (drawn by M. Schur on 2/8/92; Drawing No. 393).

Burial 154

Series 13

Catalog Nos. 899 and 2148

Datum point: 40

Grid coordinates: S 95.5, E 75

Elevation of cranium: 3.34 feet AMSL

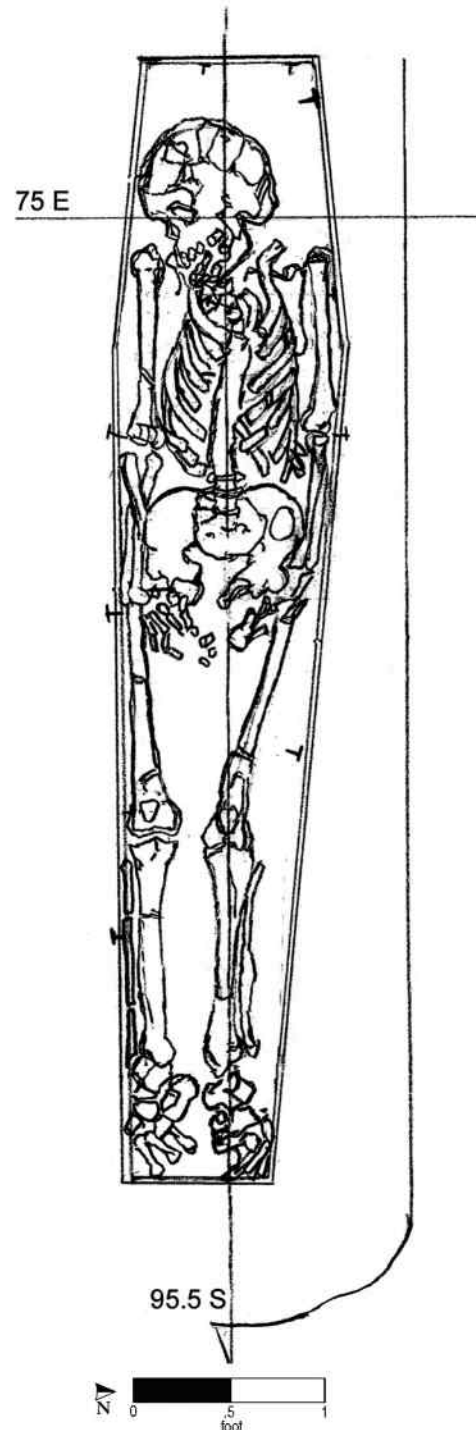
Temporal group: Middle

Burial 154, located on the south edge of the former Republican Alley, was of a woman between 25 and 29 years old. The associated soil was described as dark brown sandy silt with yellow silt mottling and waterworn rock inclusions. The grave cut was apparent only along the north side and along the northeast corner. A deposit of rubble from a construction and demolition episode was recorded in the southeast corner of the disturbed grave shaft.

The coffin lid was first encountered at an elevation of 3.57 feet in the southwest corner of the burial. As excavation continued, the coffin bottom was reached at an elevation of 2.98 feet. The woman was interred in an apparently hexagonal coffin. She was placed in the supine position, with her head to the west, her arms at her sides, and her hands resting over her pelvis. Her skeletal remains were in fair condition. The sternum was found on top of the left hand. Lateral breaks were found in the woman's tibias, possibly resulting from the weight of Burial 116, which overlay this area. Three straight pins were recorded in situ, one on the left side of the cranium and two on the upper chest area.

Burial 116 (a man aged between 45 and 55 years) overlay the eastern edge of Burial 154 by approximately 0.29 feet, and Burial 133 (a child between 1 and 2 years old) lay approximately half a foot above Burial 154. No grave-shaft outline was recorded for Burial 133, and it is possible the child was interred within the grave of Burial 154, perhaps following a brief interval. Burials 133 and 116 appear to have been laid end to end, with the head of Burial 116 at the foot of Burial 133. All three burials were assigned to the Middle Group, based on coffin shape and absent any evidence that would place them later.

A separate catalog number, No. 2148, was assigned in the laboratory to material collected in the area where Burial 116 and Burial 154 overlapped. These artifacts included nail and bone fragments.



Burial No. 154 (drawn by E. S. on 1/27/92; Drawing No. 352).

Burial 155

Series 11

Catalog No. 900

Datum point: 40

Grid coordinates: S 91.5, E 75

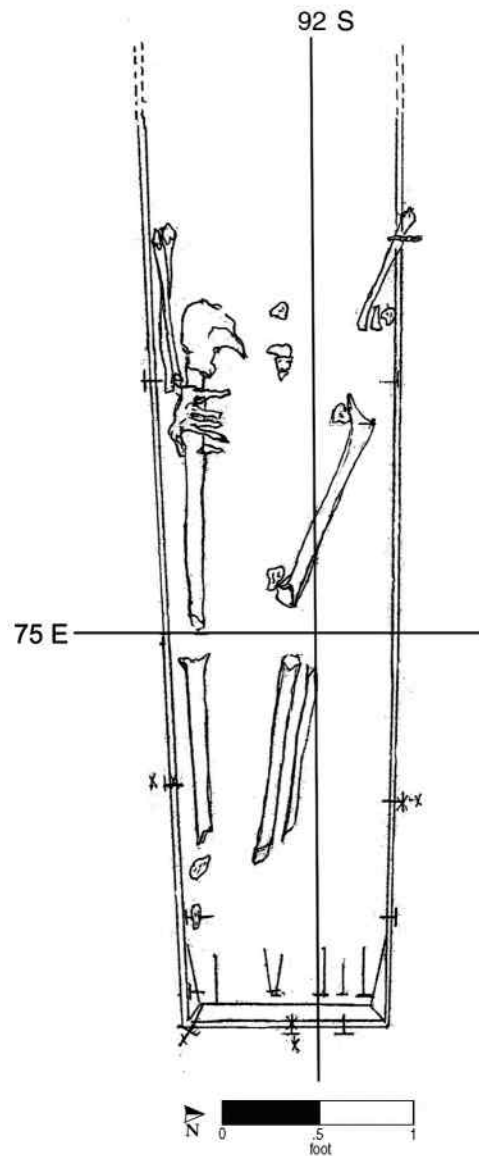
Elevation of highest skeletal material: 3.49 feet AMSL

Temporal group: Early

Burial 155, which was located in the former Republican Alley, contained the remains of an adult of undetermined sex. The grave shaft was filled with soil described as rocky and hard. The Burial 148 interment had cut into and destroyed the western portion of Burial 155.

Excavators noted that the coffin lid, first encountered at an elevation of 3.44 feet, had collapsed onto the skeletal remains. The coffin was four sided (either rectangular or tapering) in shape. Its bottom was at an elevation of 2.89 feet. Numerous nails were recorded in situ around the perimeter, with an unusual concentration along the bottom of the footboard. The individual had been placed in the supine position, with the head to the west and arms resting at the sides. The cranium, torso, and parts of the long bones and feet were missing.

Burial 155 was completely truncated on the west by Burial 148, a Middle Group burial, and was overlain on the east side by Burial 131, a Late Group burial, which was 0.91 feet higher in elevation. These two graves appeared to have been dug without regard to the existing Burial 155. Based on this, as well as coffin shape, Burial 155 has been assigned to the Early Group.



Burial No. 155 (drawn by L. C. on 2/4/92; Drawing No. 379).

Burial 156

Series 33

Catalog No. 901

Datum point: 54

Grid coordinates: S 66.5, E 115

Elevation of highest skeletal remains (hand scatter):

2.35 feet AMSL

Temporal group: Middle

Burial 156 was of a woman between 30 and 60 years of age. The grave was located in the rear portion of Lot 16, along the projected line of a row of postholes marking a fence that once crossed the cemetery southwest to northeast. The skeletal remains were disarticulated, and many bones were missing, the result of later disturbances. The grave shaft was filled with gray-green sandy silt interspersed with loose, sandy red-brown areas, which excavators attributed to construction disturbance. Although the field notes refer to sundry historical artifacts at the northern boundary of the grave shaft, they were deemed unassociated with this burial and thus discarded. Field records also list numerous animal bones, apparently found just above the burial, but only one fragment of unidentified animal bone was collected from the grave fill.

Fragments of the north coffin wall were first observed at an elevation of 2.29 feet, along with one vertically oriented nail. A section of the south wall was also relatively intact, with two nails recorded in situ. One or more disturbances apparently claimed the coffin's lid and obscured its shape.

The construction in this area had disarranged the woman's bones to such a degree that her burial position was not clear. Excavators believed that her legs were the least disturbed of the remains; if so, she was probably placed supine with her head to the west. The highest elevation of skeletal remains was 2.35 feet, at the scattered hand bones; the lowest elevation for skeletal remains was 2.09 feet, at the foot and rib area. Despite the disturbance, the bones were well preserved.

Excavators recovered fibers from a cluster of rib fragments at the west end of the remains and a possible eyelash from an unclear provenience.

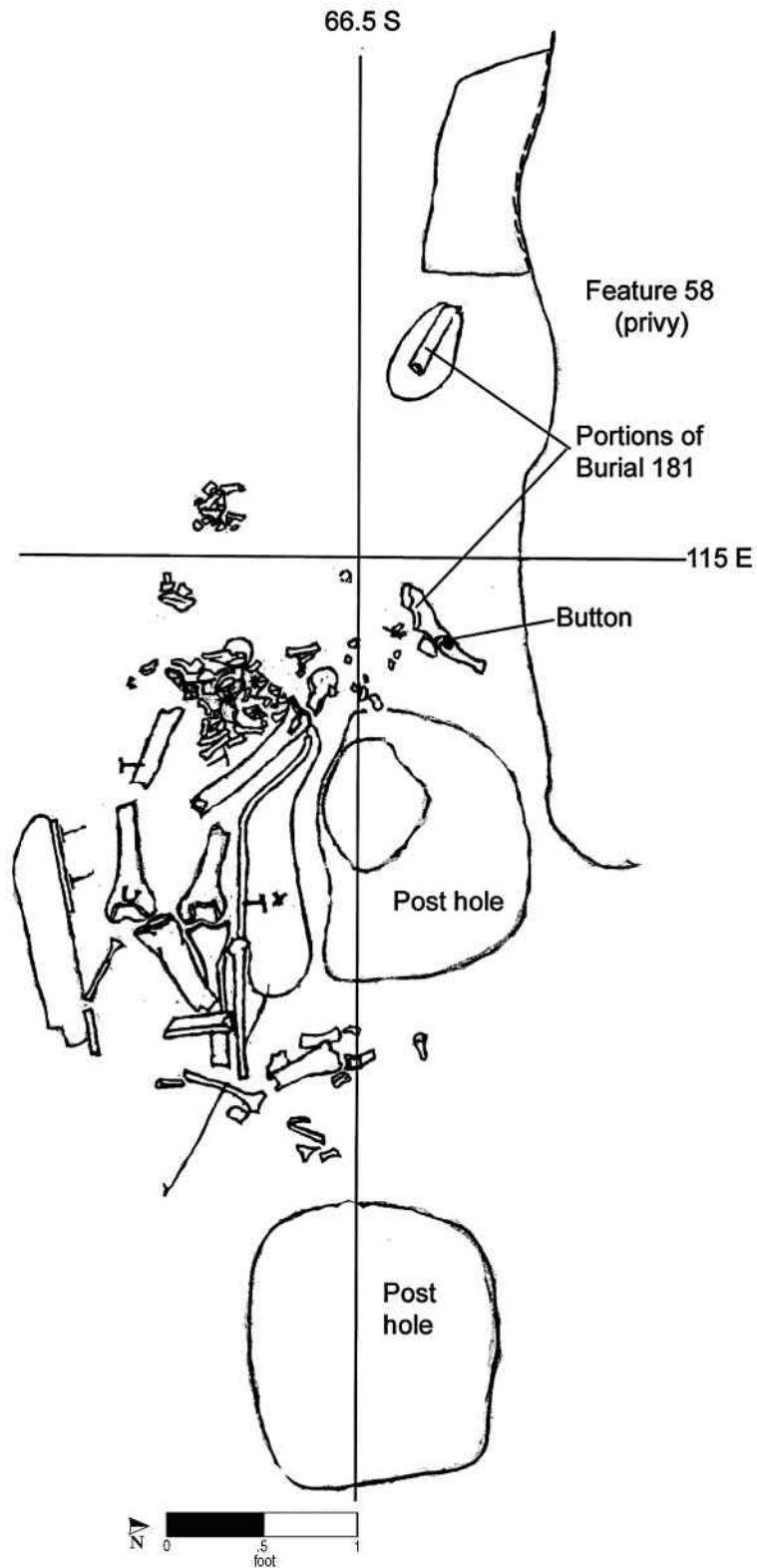
A large area to the west and southwest of

Burial 156 was severely disturbed by twentieth-century construction activity, and this disturbance may have extended to the grave. Burial 181 was located immediately adjacent to the north, and its interment appears to have disturbed the north side of Burial 156.

It is also possible that damage was caused by the intrusion of postholes in the immediate vicinity. These included Feature 75 just to the east (its bottom was at 1.99 feet); Feature 88 (depicted adjacent to the north but not otherwise recorded, it may actually have been part of Burial 181); and, adjacent to the south and east, Features 89 (bottom elevation -0.06 feet), and 119 (1.84 feet). The postholes probably represent one or more fences that once crossed the site from southwest to northeast. If they disturbed Burial 156, the interment predates at least one version of the fence.

The postholes in this area may have been from a late version of the fence, constructed in 1797. The original wood-lined privy on Lot 16, represented by Feature 58a, was oriented to the street grid. It is hypothesized that this privy was dug by the lot's first owner, ca. 1794 (Cheek 2003). The second-phase privy, Feature 58B, was superimposed on the first and was oriented to the diagonal property line rather than to the street, suggesting that a fence along this line was erected in the interim. This may have been in 1797, when adjacent lots with the diagonal property line at their rears (and privies oriented to that line) were first sold and developed (Cheek 2003). This implies that even if it was disturbed by fence posts, Burial 156 may date to the period between the Teller fence and the lot-development fence, rather than to the period before the Teller fence. The dating of this burial remains problematic; thus it has been assigned to the default Middle Group.

Burial 156 (cont.)



Burial No. 156 (drawn by M. Schur on 2/6/92; Drawing No. 380).

Burial 157

Catalog No. 902

Datum point: 49

Grid coordinates: S 53.5, E 81.5

Elevation of highest point of the skeletal remains: 1.87 feet
AMSL

Temporal group: Late

Burial 157 held the redeposited partial remains of a probable woman whose age could not be determined. This burial was severely disturbed and the skeletal remains were disarticulated. No grave-shaft outline or coffin was visible. The soil was described as mottled brown, green, and gray silt. No artifacts from grave fill were associated with this burial. The remains lay alongside a large wood-lined privy shaft designated Feature 56 on Lot 15.

The elevation recorded for the highest point of the skeletal remains was recorded at 1.87 feet and the lowest point at 1.72 feet. The right femur, tibia,

fibula, patella, and some foot bones were present. It is possible that this burial was actually part of Burial 153. Burial 153, which had been truncated by the west side of the privy, was missing the right femur and both the left and right lower leg and foot bones. The bones that were displaced from Burial 153 during excavation of the privy shaft may simply have been thrown into a pile on the side and were excavated as Burial 157.

A soil-sample location was incorrectly labeled “coffin lid,” although there was no coffin or evidence that this was the primary burial site. No artifacts were recorded in direct association with the human remains. Burials 153/157 were located well to the north of the fence line that once marked the boundary of the cemetery and were thus assigned to the Late Group.

The field drawing did not represent remains in situ within a grave and/or does not provide information on a burial context; therefore it has not been reproduced.

Burial 158

Catalog No. 903

Datum point: 50

Grid coordinates: S 64.5, E 95

Elevation of cranium: 2.17 feet AMSL

Temporal group: Late

Burial 158 was of a man between 20 and 30 years old. The soil from the grave-shaft fill was described as compact, fairly stony mixed and mottled silts (gray, blue, and brown) with charcoal. The excavator noted that the upper layers were laced with a red-brown substance, possibly organic. The fill became very soft and loose as the depth increased. Artifacts found in the grave fill included sherds of salt-glazed stoneware, redware, Staffordshire slipware, delft, and a piece of kiln furniture; stem and bowl fragments from clay tobacco pipes; a brick fragment; cow, sheep and dog bones; and pieces of oyster and clam shell.

The deceased had been buried without a coffin, with his head to the west. He was in supine position with his hands resting on his pelvis. The skeletal remains were described as relatively well preserved, possibly because of the absence of a coffin and the presence of sand at the bottom of the grave, which allowed for good drainage.

Excavators recovered two identical pairs of round, gilt, copper-alloy cuff links, one resting on the ventral side of the last lumbar vertebra and left ala of the sacrum, and the other was next to his right ilium and under the radius (i.e., one near each wrist or



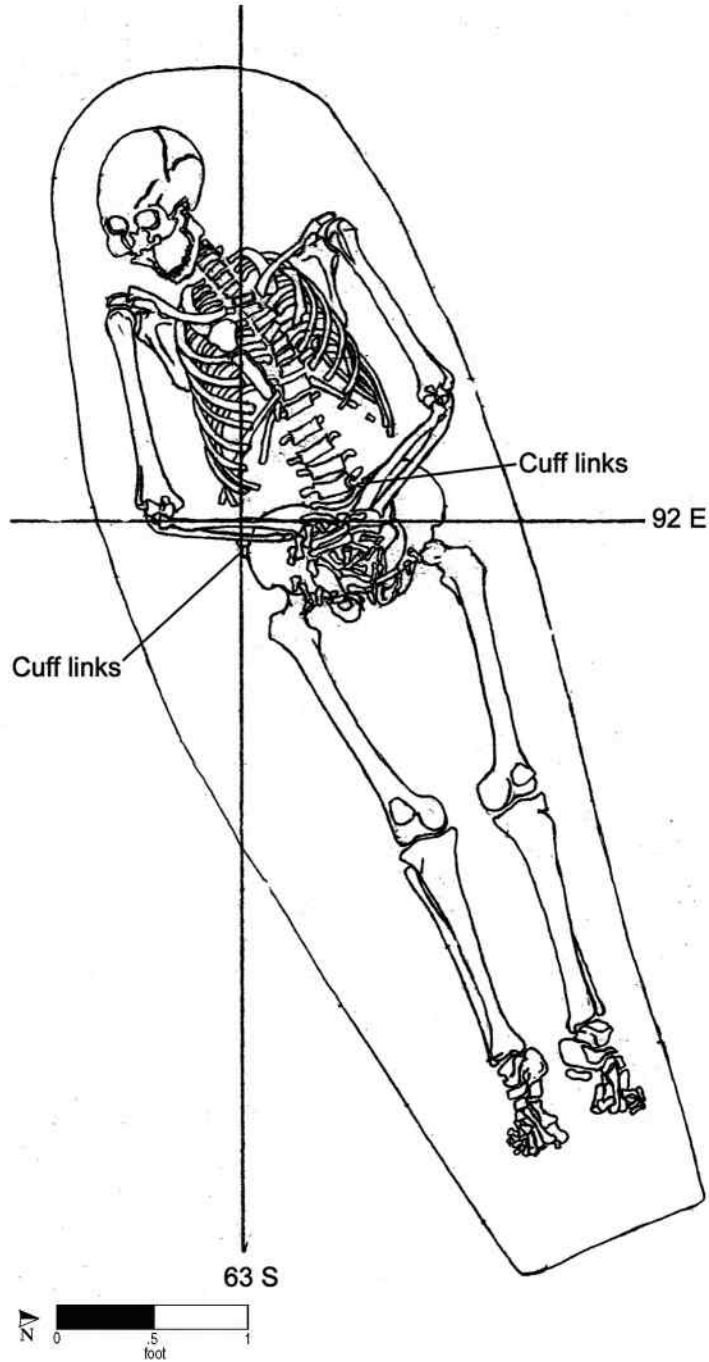
forearm, implying that the man was buried wearing a shirt). The faces of the cuff links measured 17 mm in diameter, and the shanks were U-shaped.

According to the field notes, the left cuff link was surrounded by a red-brown organic material (possibly leather), which was not further identifiable. A portion of a pipe bowl with the maker's mark "IW" was found adjacent to the right femur, 0.15 feet above the sand at the bottom of the grave (not depicted in the drawing). Based on the bowl shape and maker's mark, it was identified as English. This artifact may have been placed with the deceased at the time of interment; alternatively, it may have been present in the soil matrix along with the other pipe fragments noted above. The pipe was not recovered following the collapse of the World Trade Center on September 11, 2001.

Burial 158 may have been part of a row of graves that also included Burials 194, 174, and 191. All of these graves were of adult males, ranging in age from late teens to thirties. Because this row lay north of the fence line, all of these graves, including Burial 158, have been assigned to the Late Group.

(continued on page 212)

Burial 158 (cont.)



Burial No. 158 (drawn by M. Schur on 1/29/92; Drawing No. 358).

Burial 159

Series 54

Catalog No. 905

Datum point: 51 (4.66 feet AMSL)

Grid coordinates: S 73.5, E 90

Elevation of cranium: 3.43 feet AMSL

Temporal group: Middle

Burial 159 was of a woman between 25 and 35 years of age. The grave shaft was initially depicted as rectangular in shape in the western half, with an expansion on the north toward the foot to encompass Burial 161, which held an infant or young child. The final drawing of Burial 159 depicts the grave shaft also widening out on the south side, to encompass Burial 206 (also an infant or child, although no remains survived). The fill of the grave shaft was described as grayish brown clayey silt, mottled with brown sandy silt. A single chert flake was the only artifact recovered from the grave fill, although field notes indicate there were two.

The coffin was hexagonal in shape. The lid, first recorded at an elevation of 3.36 feet was readily visible and well preserved in the western portion of the burial. It had split down the middle lengthwise and collapsed onto the remains. When exposed, it appeared to have red paint adhering to the wood, which was photographed and sampled. Microscopic examination of the sample revealed possible pigment but no organic binders; identification was not conclusive because of the degraded state of the wood and the presence of degraded pine resin. X-ray fluorescence was then performed, producing evidence of a surface treatment with a substance containing copper. However, it should be noted that a copper-alloy straight pin was recovered adhering to the wood where the pigment appeared to be best preserved. It is possible that the copper present in the wood sample may have been distorted because of the proximity of corroded pins.

One coffin wood sample was identified as cedar and one as red pine; both samples are presumed to have been from the lid. The sides and bottom of the coffin appeared during excavation as only a very homogeneous gray silty clay stain. Nails were recorded in situ, 2 at the top, 2 halfway down the headboard, and 15 around the perimeter at

the bottom. However, only 2 nail fragments were cataloged in the laboratory from this burial; the others were apparently lost or mislabeled. Eleven straight pins were recorded in situ during excavation of Burial 159, but the project conservators in the laboratory cataloged none. It seems unlikely that none of the pins was recoverable; they may have been lost or mislabeled when removed from the burial, as were the nails. The pins were located as follows: 1 at the top of the cranium, 1 at the back of the skull, 1 alongside the cervical vertebrae, 1 on top of the thoracic vertebrae, 2 on the right ribs and 3 on the left, 1 on top of the left ilium, and 1 on top of the sacrum.

The woman had been placed in a supine position with her head to the west and her arms resting at her sides. The skeletal remains were in poor condition; most bones were broken or eroded, but fairly complete. Excavators noted that the left femur had been broken with a shovel. The bones had dried out during the excavation and then sustained water damage when it rained.

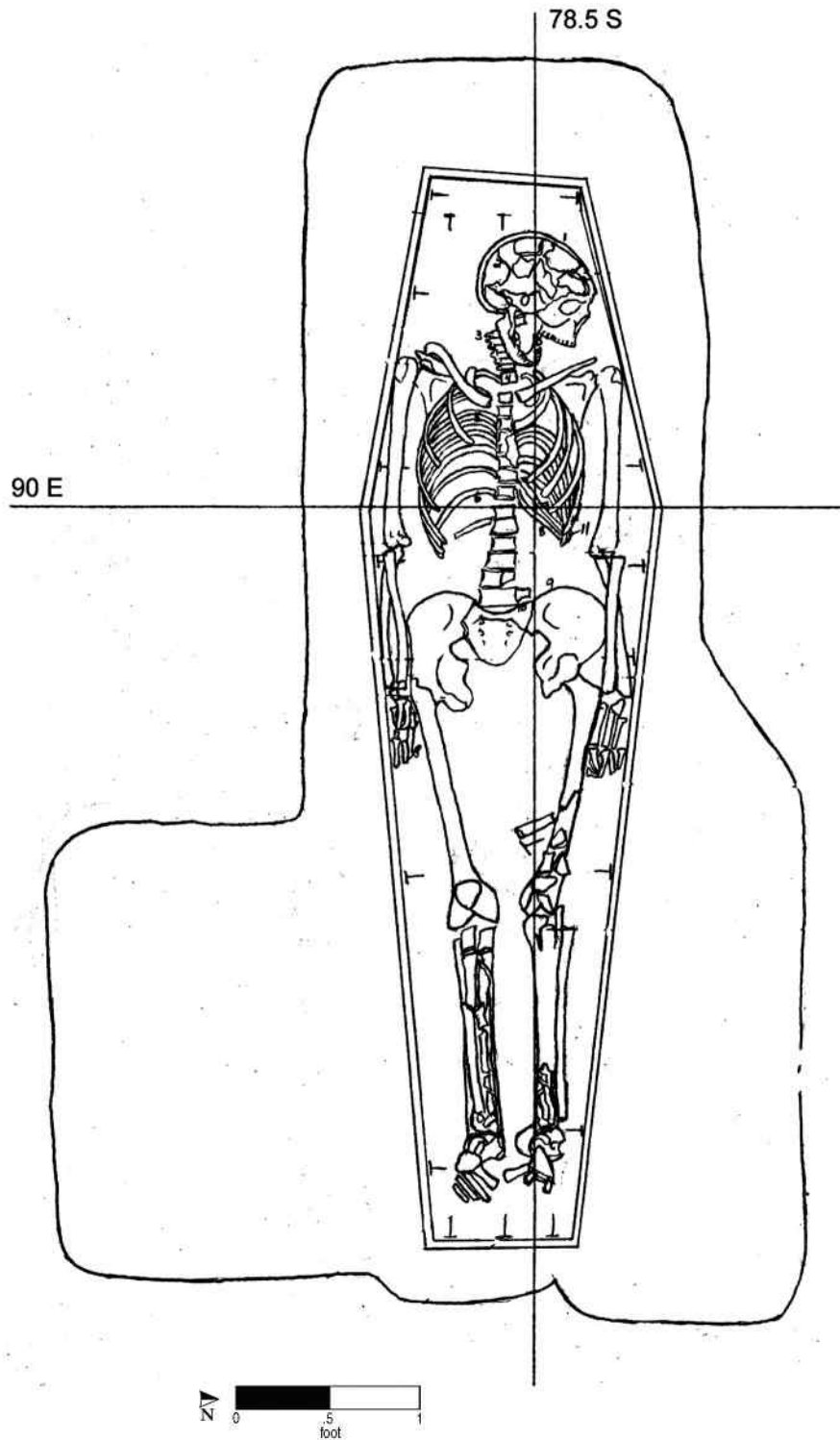
Burials 206 and 161, both children's burials, flanked Burial 159, with Burial 206 on the south side and Burial 161 on the north side. Field records are somewhat ambiguous regarding the stratigraphic relationship among these burials. When excavators first exposed the burials in late January 1992, they believed that Burial 159 intruded upon the others. The final field drawing for Burial 159, however, executed in mid-February, shows its grave-shaft outline encompassing both of the child burials (which were excavated later). The elevations of all three burials corresponded, and they were oriented parallel to one another. Either Burial 159 was interred subsequent to Burial 206 and possibly also Burial 161, or all three were interred together.

If the infants' graves were prior, then it is possible they were part of a row that also included a third infant, Burial 220, just to the south. The three graves were evenly spaced, about 2 feet apart, and were parallel.

In the absence of material evidence to place the interment more precisely, Burial 159 has been assigned to the default Middle Group.

(continued on page 214)

Burial 159 (cont.)



Burial No. 159 (drawn by W. Williams on 2/13/92; Drawing No. 415).

Burial 160

Series 22

Catalog No. 906

Datum point: 52

Grid coordinates: S 76, E 98.5

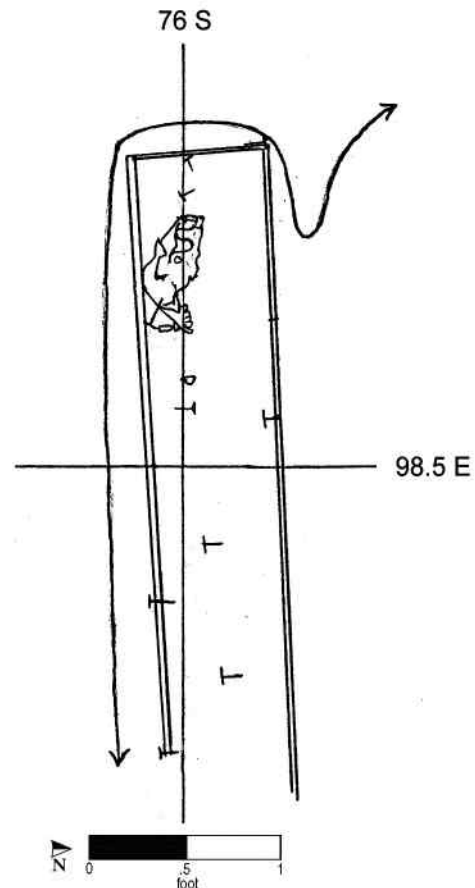
Elevation of cranium: 3.10 feet AMSL

Temporal group: Middle

Burial 160 was of a child between 3.5 and 5.5 years old. Associated soil was described as yellow-gray silty clay, from which no artifacts were recovered. The northern edge of the grave shaft was poorly defined because of the disturbance caused by adjacent Burial 163; the eastern end of Burial 160 had been destroyed by machinery before archaeologists began hand excavations in this area. Based on the extant western edge of the grave-shaft outline, it was essentially rectangular and quite narrow, as was the coffin.

The coffin lid was first encountered at an elevation of 3.22 feet, and the bottom was at 2.87 feet. The child had been interred in a long, very narrow four-sided coffin, with the head to the west. The skeletal remains were poorly preserved and consisted solely of cranial fragments with some teeth present. Two straight-pin shank fragments were recovered, but their provenience was not recorded.

Based on photographs taken during excavation, Burial 160 cut into the south edge of the grave shaft of Burial 163. Burial 160 also overlay the northeast corner of Burial 232 by 0.37 feet. Burial 160 has been assigned to the Middle Group, in the absence of evidence that would place it otherwise.



Burial No. 160 (drawn by W. Williams on 1/26/92; Drawing No. 349).

Burial 161

Series 54

Catalog No. 908

Datum point: 52a

Grid coordinates: S 74.5, E 90

Elevation of highest element (nail): 3.27 feet AMSL

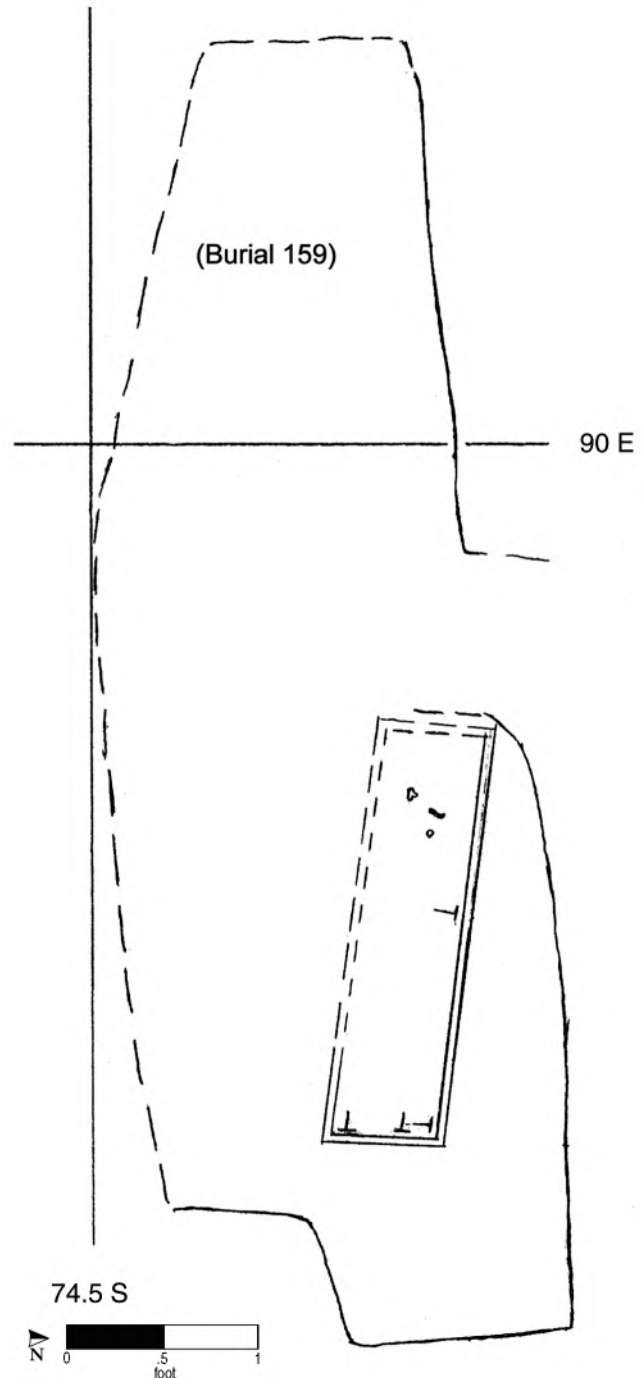
Temporal group: Middle

Burial 161 was represented by minimal remains, including a small amount of organic material (probably decomposed bone) and the remnant of a small coffin. It was probably of an infant or small child, based on the dimensions of the coffin remains (2.2 feet in length and about 0.5 feet wide).

Based on surviving wood stains and nail locations, the coffin was rectangular in shape. The four nails recorded in situ (three at the foot and one on the north side) were never cataloged in the laboratory and may have been mislabeled or lost during the removal of the burial. A seed was noted in the field records but was also missing when the sample bag was opened in the lab. No other items were recovered from this burial.

Both Burial 161 and Burial 206, another infant-sized grave, flanked Burial 159, a woman of about 30 years of age. Burial 206 lay on the south side and Burial 161 on the north side. Field records are somewhat ambiguous regarding the stratigraphic relationship among these burials. When excavators first exposed the burials in late January 1992, they believed that Burial 159 intruded upon the others. The field drawings for Burial 159, however, show its grave-shaft outline encompassing one or both of the child burials (which were excavated later). The elevations of all three burials corresponded, and they were oriented parallel to one another. Either Burial 159 was interred subsequent to Burial 206 and possibly also Burial 161, or all three were interred together. In the absence of any material evidence to the place them more precisely, all three burials have been assigned to the Middle Group.

It is also possible that Burials 206 and 161, if prior to Burial 159, were part of a row of infant graves that also included Burial 220 to the south. The three infant burials were spaced evenly, about 2 feet apart, and were parallel.



Burial No. 161 (drawn by M. Schur on 2/23/92; Drawing No. 447).

Burial 162

Catalog No. 909

Datum point: 59

Grid coordinates: S 55, E 51.5

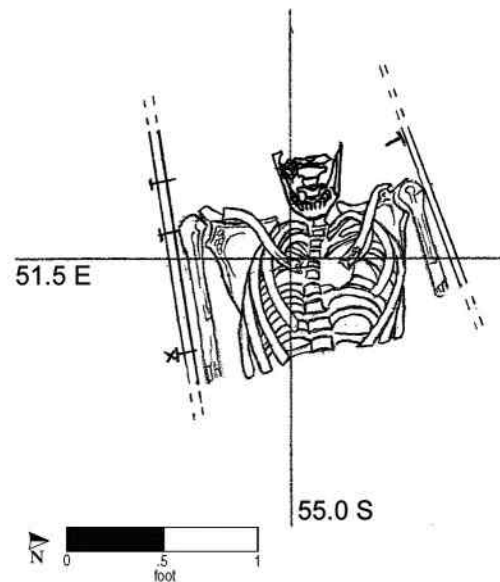
Elevation of cranium: 2.31 feet AMSL

Temporal group: Late

Burial 162 was of a man between 35 and 45 years of age. Only a small portion of the grave-shaft outline was visible, on the north side of the burial. The shaft fill was described as very compact, mottled, silty clay. The west end of the burial was truncated by a stone foundation (the west side of a structure on Lot 14), and the east end was truncated by a major nineteenth-century disturbance at the middle of the lot. The human skeletal remains consisted only of the mandible, upper torso, and humeri. The soil sample from the coffin lid contained one fragment each of iron nail, shell, and unidentified animal bone; these items were probably present in the grave fill.

Coffin shape could not be determined. The elevation of the top was recorded at 2.51 feet and the bottom at 1.99 feet. The man had been placed in a supine position with his head to the west. Four nails were recorded in situ on the coffin sides.

Burial 162 did not overlap with any other burials. It may have been in a north-south row of burials that also included Burials 125 and 188 to the south. These were also truncated by the building foundation on the west and the additional disturbance to the east. Because of its location north of the former fence line, Burial 162 has been assigned to the Late Group.



Burial No. 162 (drawn by W. Williams on 1/27/92; Drawing No. 351).

Burial 163

Series 22

Catalog No. 910

Datum point: 52

Grid coordinates: S 74.5, E 99

Elevation of cranium: 2.18 feet AMSL

Temporal group: Middle

Burial 163 was of a probable man between 18 and 24 years of age. The eastern end of the burial (below the knees) had been destroyed by machine excavation before archaeologists began hand excavations in this area. The grave-shaft outline was ovoid on the west, and its southern side was obscured by Burial 160. Associated soil was described as yellow-gray silty clay; no artifacts were recovered from this fill.

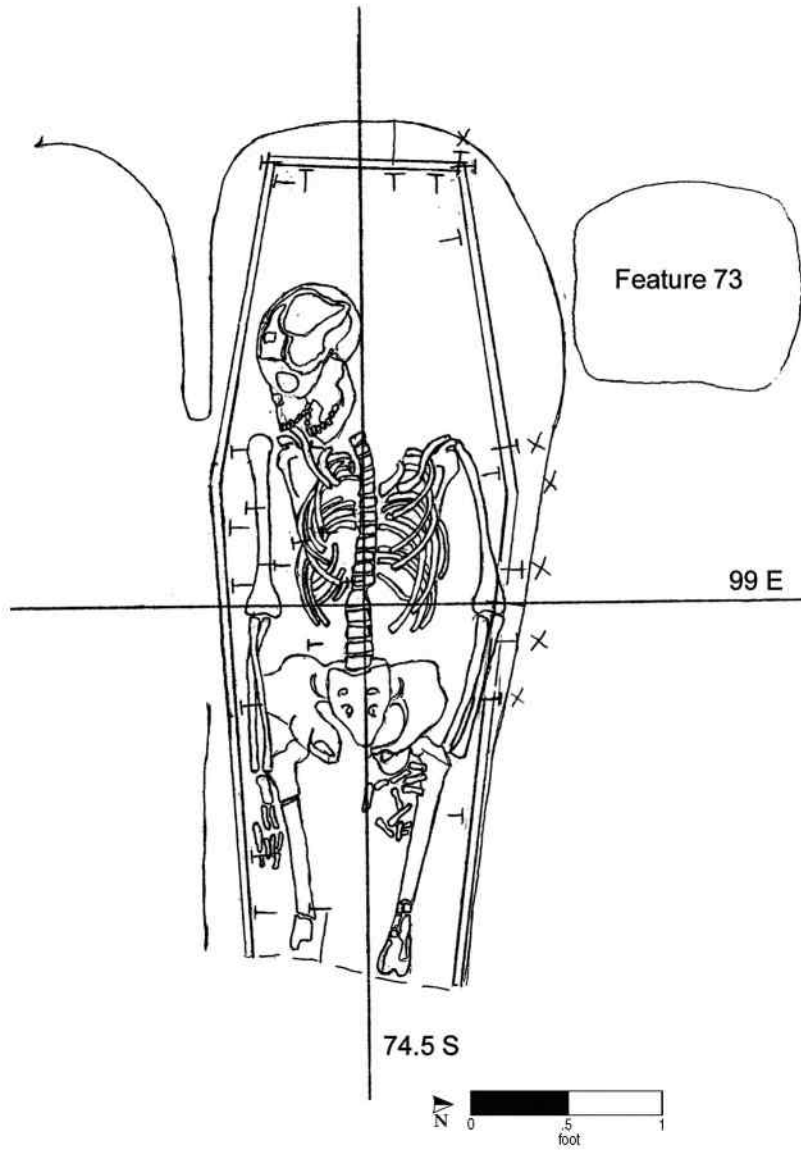
The coffin lid was first encountered at an elevation of 3.03 feet, and the bottom was reached at 1.84 feet. Numerous nails were recorded in situ around the perimeter, including a line of five vertically oriented nails on the north side that attached the lid to the sides. Several “extra” nails were recorded beneath the torso, all oriented horizon-

tally and pointed to the north; it is possible they had fallen from the top of the south side of the coffin. The coffin was hexagonal in shape, and the man had been placed in the supine position, with his head to the west and his arms at his sides. The skeletal remains were in very poor condition when exposed, with bones crushed and eroded. No artifacts other than the coffin remains were found in association with the deceased.

A soil feature labeled Feature 73 and identified as a possible posthole was located immediately adjacent to the northwest end of the Burial 163 grave shaft. This feature was very shallow, squared, and about 1.4 feet wide. It contained large cobbles and a single sherd of glass. Because of a discrepancy in recording, it is not possible to determine the bottom depth of the posthole. Its location is a few feet south of the projected fence line that once marked the cemetery’s northern boundary.

Burial 160 cut into the south edge of the grave shaft of Burial 163. Both burials have been assigned to the Middle Group, absent any evidence that would place them otherwise.

Burial 163 (cont.)



Burial No. 163 (drawn by M. Schur on 2/25/92; Drawing No. 375).

Burial 164

Series 31

Catalog No. 916

Datum point: 61

Grid coordinates: S 52.5, E 91

Elevation of metatarsals: 1.47 feet AMSL

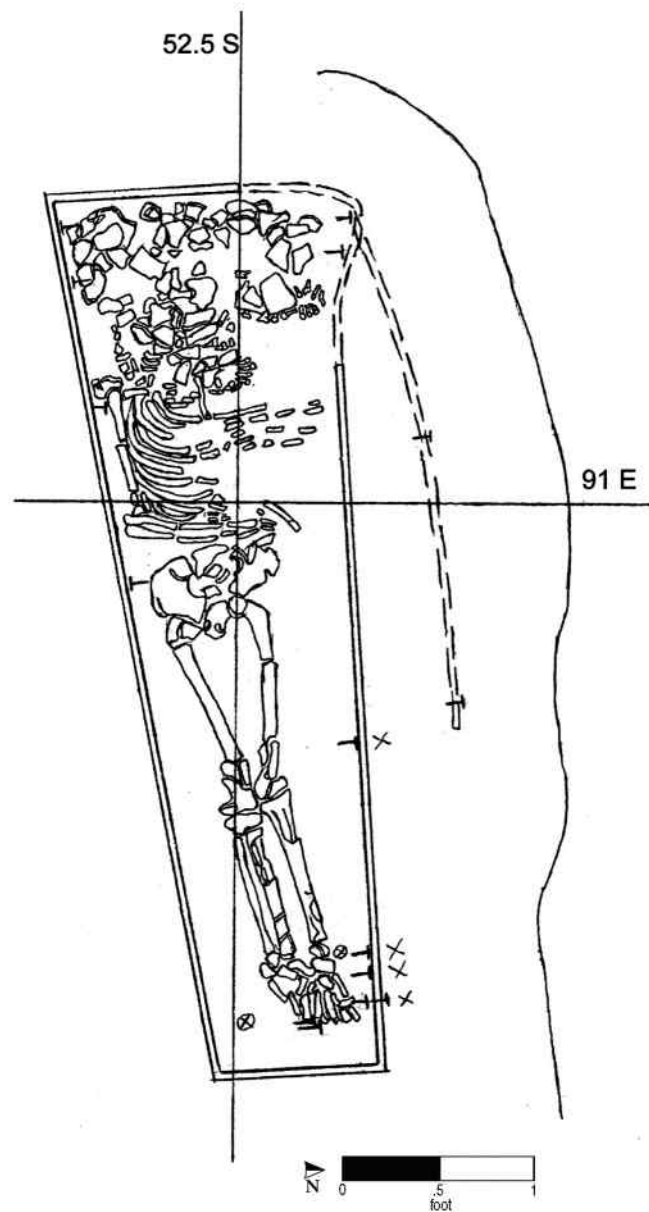
Temporal group: Late

The child in Burial 164 was between 8 and 13 years old. The grave was located in the central part of Lot 15, well to the north of the fence line that crossed the cemetery and once marked its northern extent. The grave shaft was filled with light brown to yellow-brown sandy silt from which no artifacts were noted or recovered.

The north and east edges of the four-sided, tapered coffin were disturbed by what excavators described as nineteenth-century construction. The coffin lid rested at an elevation of 1.74 feet, and the coffin bottom was at 1.29 feet. Numerous coffin nails were found, including at least one in vertical position on the lid. The highest elevation for the skeletal remains was at the metatarsals at 1.47 feet; the lowest elevation for skeletal remains was at 1.31 feet. The skeleton was badly fractured and flattened; the bones of the upper body and left side were disarticulated or missing. It was nonetheless clear that the child had been placed in a supine position, with legs extended and head to the west. The right arm was crossed over the torso; the left arm was missing. No artifacts were found in direct association with this burial.

The grave-shaft outline for Burial 164 was observable only on the north side. The northwest corner of this grave overlay the south edge of Burial 244, whose coffin lid rested 0.31 feet below the bottom of Burial 164's coffin. It appears that Burial 244 was already in place when Burial 164 was laid to rest. It does not appear that the later interment impacted the burial below. The description of the grave fill (yellow, gray, and red mottled clay) for Burial 244 differs markedly from that for Burial 164, and it is possible that a layer of fill or outwash from the hillside had covered the area in the interval between these interments.

These two child burials, along with the 9-month-old child in Burial 166 farther to the south, were situated between two parallel northwest-southeast trending rows of adult burials, predominately of men. Because the grave was located north of the former fence, Burial 164 has been assigned to the Late Group.



Burial No. 164 (drawn by M. Schur on 2/8/92; Drawing No. 394).

Burial 165

Series 18

Catalog No. 919

Datum points: 42A

Grid coordinates: S 62.5, E 73

Depth measurements for Burial 165 were taken from Datum

Point 42A, for which no elevation was recorded.

Temporal group: Late

Burial 165 contained the remains of an individual of undetermined age and sex, who was apparently buried without a coffin. Associated soil was described as gray silt mottled with yellow clay and red sand, but no grave-cut outline was visible. As excavation of the burial began, a circular disturbance was recorded on the south side near the west end. To the east, along the southern edge, excavators found a section of a coffin board and two nails, but these were intrusive from the overlying Burial 137. As the remains were exposed, it became apparent that the western part of Burial 165 had been severely disturbed. The excavators interpreted this disturbance as being the result of another burial; however, no burial was excavated to the west.

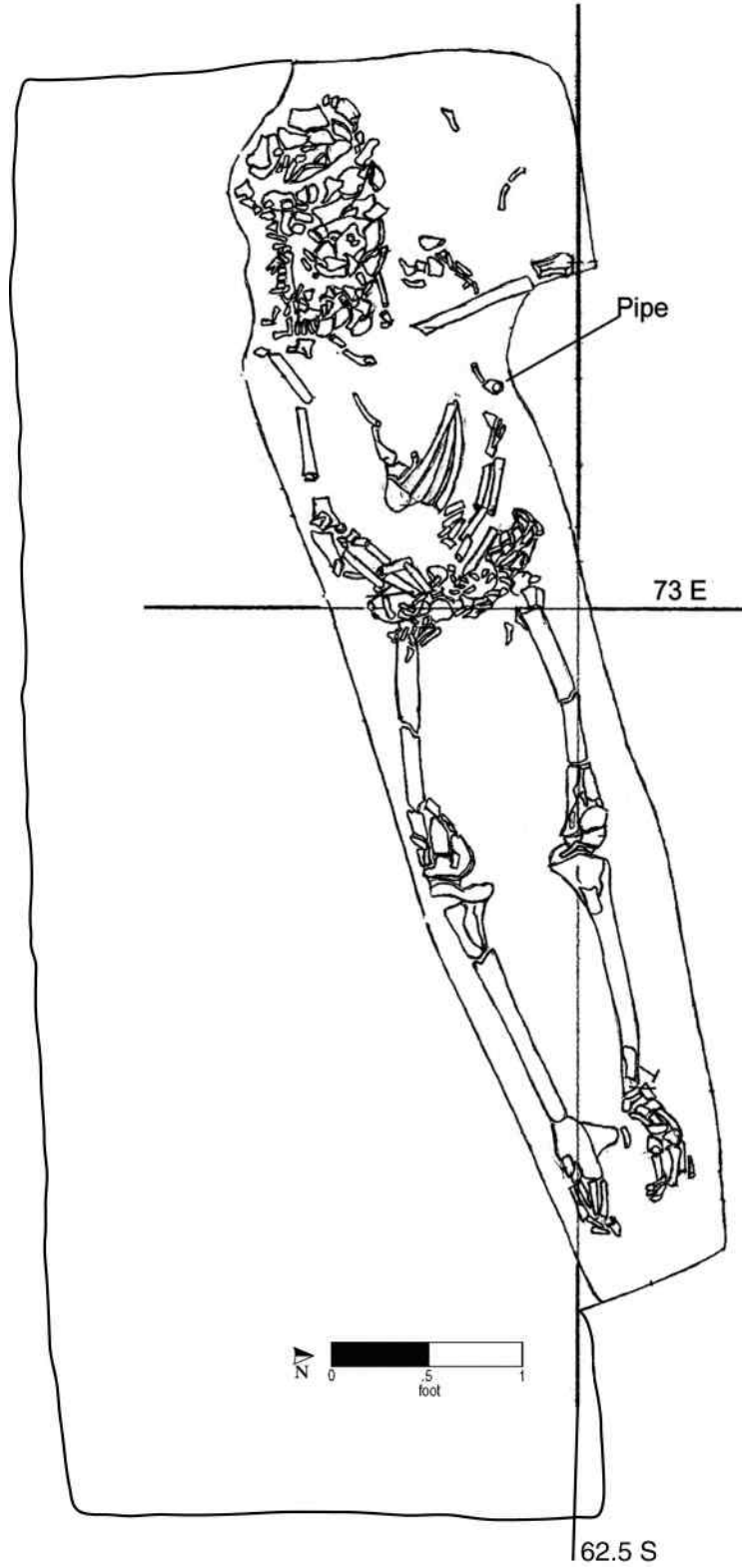
The deceased had been placed in the ground in the supine position with the head to the west and

hands crossed over the pelvis. The skeletal remains were crushed and displaced above the pelvis. A patella (knee cap) was also displaced, recovered at a higher elevation than the long bones. A disarticulated humerus from another individual was found in the northwest corner of the burial. Pieces of a clay tobacco pipe (consisting of a stem and bowl that join) of European manufacture were found near the left arm. The pipe stem had a 4/64-inch-bore diameter, and the bowl was plain and footless. One nail was noted near the left ankle, but this is likely to have been intrusive from Burial 137.

Burial 165 was beneath Burial 137, an adult of undetermined sex, between 25 and 35 years old at death, who had been buried in a coffin. This overlying burial was offset slightly to the south. The later interment may have been placed deliberately with reference to the first; the pair was spatially separated from other burials. Burials 165 and 137 were roughly aligned in a row of coffinless burials that included Burials 223, 150, 199 (all women between 20 and 40 years of age) and 211 (a possible man of undetermined age). The row spanned the line of postholes marking a fence that once crossed the site; this row of burials probably postdated the 1760s fence. Based on this positioning, Burial 165 has been assigned to the Late Group.

(continued on page 222)

Burial 165 (cont.)



Burial No. 165 (drawn by M. Schur on 2/17/92; Drawing No. 434).

Burial 166

Catalog No. 920

Datum point: 61

Grid coordinates: S 55.5, E 92.5

Elevation of cranium: 2.1 feet AMSL

Temporal group: Late

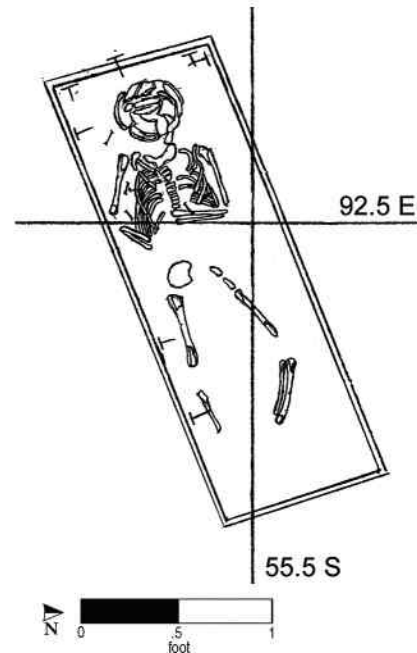
Burial 166 was of an infant between 6 and 12 months old. The fill in the grave shaft was described as sandy clay with tan, rust, and gray mottles with some charcoal and brick particles; however, no grave-shaft outline was recorded on the field drawings. Only a bovine metatarsus (hind foot bone) and an unidentified seed were recovered from the fill.

The coffin of Burial 166 was rectangular. Its lid was recorded at an elevation of 2.18 feet and its bottom at 1.91 feet. Field records indicated that the grave was very shallow and that the foot end of the coffin was slightly disturbed. Coffin wood was preserved only from the lower one-third of the coffin. Several nails were recorded in situ on the coffin's north and west sides.

The infant had been placed in the coffin in the supine position with the head to the west. The arms were flexed and laid across the torso. Field records indicated that the skeletal remains were water damaged. Bones were broken, and the ends of long-bone shafts and borders of bones were missing and eroded. The skull was smashed, and no wrist or ankle bones were present.

Eight straight pins were recorded in situ; excavators recorded two on the cranium, one on the right ribs, and the rest in the torso area.

Burial 166 was located near the foot end of Burial 191, at a slightly higher elevation. Burial 191 was of a man approximately 27 years old, buried without a coffin. No stratigraphic overlap between the two was recorded; Burial 166 was excavated 2 weeks prior to Burial 191. However, both burials have been assigned to the Late Group, based on their positioning north of the graveyard's earlier boundary fence.



Burial No. 166 (drawn by M. Schur on 1/31/92; Drawing No. 359).

Burial 167

Catalog No. 923

Datum point: 38

Grid coordinates: S 86.5, E 65

Elevation of cranium: 2.56 feet AMSL

Temporal group: Middle

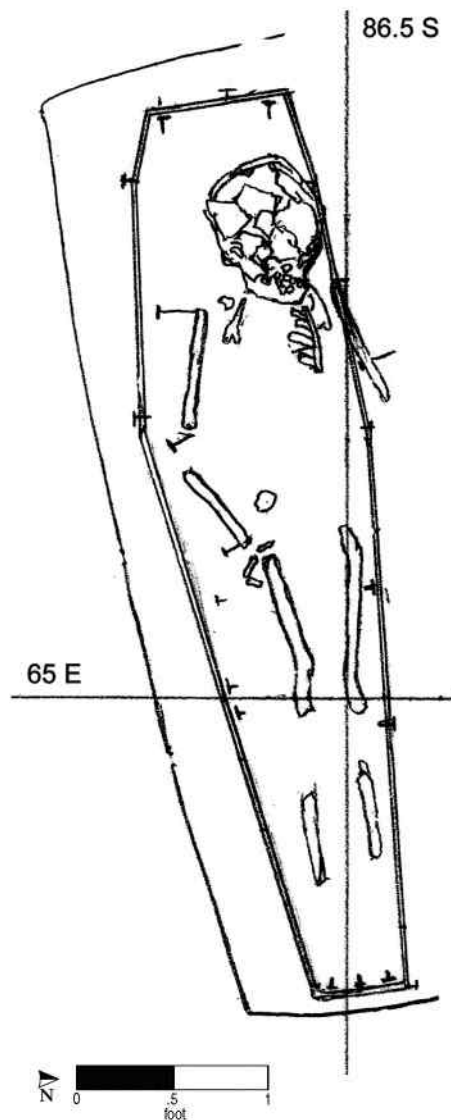
Burial 167, located at the north edge of the former Republican Alley, yielded the remains of a child between 8.5 and 10.5 years old. The grave shaft was filled with mottled clayey sand and silty sand, from which no artifacts were recovered. A brick-lined storm drain, Feature 182, overlay the north-east part of the grave by just inches, and a stone foundation (the back of a building that faced Duane Street) also lay 1.85 feet above its northern edge. Neither of these later features cut into the coffin.

The child's coffin lid was first encountered at an elevation of 2.63 feet; this elevation is based on nails found in situ in the western portion of the burial. A layer of coarse red sand, doubtless the outwash from the drain feature, lay directly over the coffin. The bottom of the burial was at an elevation of 1.68 feet, based on skeletal remains in the eastern section of the burial.

The coffin was hexagonal in shape, and nails were recorded in situ around the perimeter. The child had been placed in the supine position with the head to the west and arms resting at the sides. Skeletal remains were in poor condition, with portions of the torso, pelvis, and long bones missing. The soil was extremely wet (because of the later drain), and this caused decay.

Two straight-pin fragments were examined in the laboratory, but their location within the burial was not recorded. Although the field notes mentioned a possible shroud fragment, it was not depicted on the burial drawing nor cataloged in the laboratory. No other artifacts were found in association with this burial.

Burial 167 appeared somewhat isolated, but it is possible that adjacent but slightly higher burials were destroyed by nineteenth-century construction. Burial 167 lay lower than other burials in the vicinity, probably reflecting the original topography; the later placement of a drain at this location attests to this. This burial has been assigned by default to the Middle Group.



Burial No. 167 (drawn by E. S. on 2/1/92; Drawing No. 360).

Burial 168

Series 11

Catalog No. 924

Datum point: 40

Grid coordinates: S 95.5, E 68.5

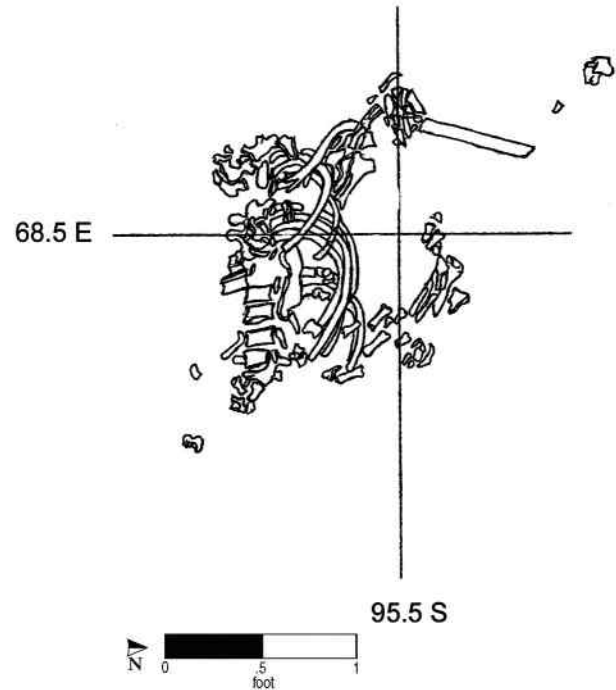
Elevation of highest skeletal remains: 4.87 feet AMSL

Temporal group: Late-Middle

Burial 168 yielded the remains of a man of undetermined age. The associated soil was described as dark gray-brown silt, mottled with yellow and light gray silt. The field notes indicated that he had no coffin, although given the severely disturbed condition of the burial that cannot be stated with certainty.

Skeletal remains were recorded at elevations of 4.58–4.87 feet. The man had apparently been placed in the supine position with his head to the west. Disturbed by the builder's trench for a foundation to the south, and possibly earlier by another burial, the skeletal remains of Burial 168 consisted of only the left side of the torso. There were no cranial remains, nor were there skeletal elements below the lumbar vertebrae region. The left humerus had been pushed to the northwest, and bones were found in the builder's trench. No artifacts were recorded in association with Burial 168.

Burial 168 lay 0.29 feet above the southwest corner of the Burial 182 coffin lid. It was immediately to the east of Burial 170 and may have been disturbed during the latter's interment. Thus, it appears that Burial 168 postdates Burial 182 but may predate Burial 170. Based on this stratigraphic relationship, Burial 168 has been assigned to the Late-Middle Group.



Burial No. 168 (drawn by M. Schur on 2/2/92; Drawing No. 362).

Burial 169

Series 11B

Catalog No. 926

Datum point: 41

Grid coordinates: S 91.5, E 81

Elevation of cranium: 2.67 feet AMSL

Temporal group: Middle

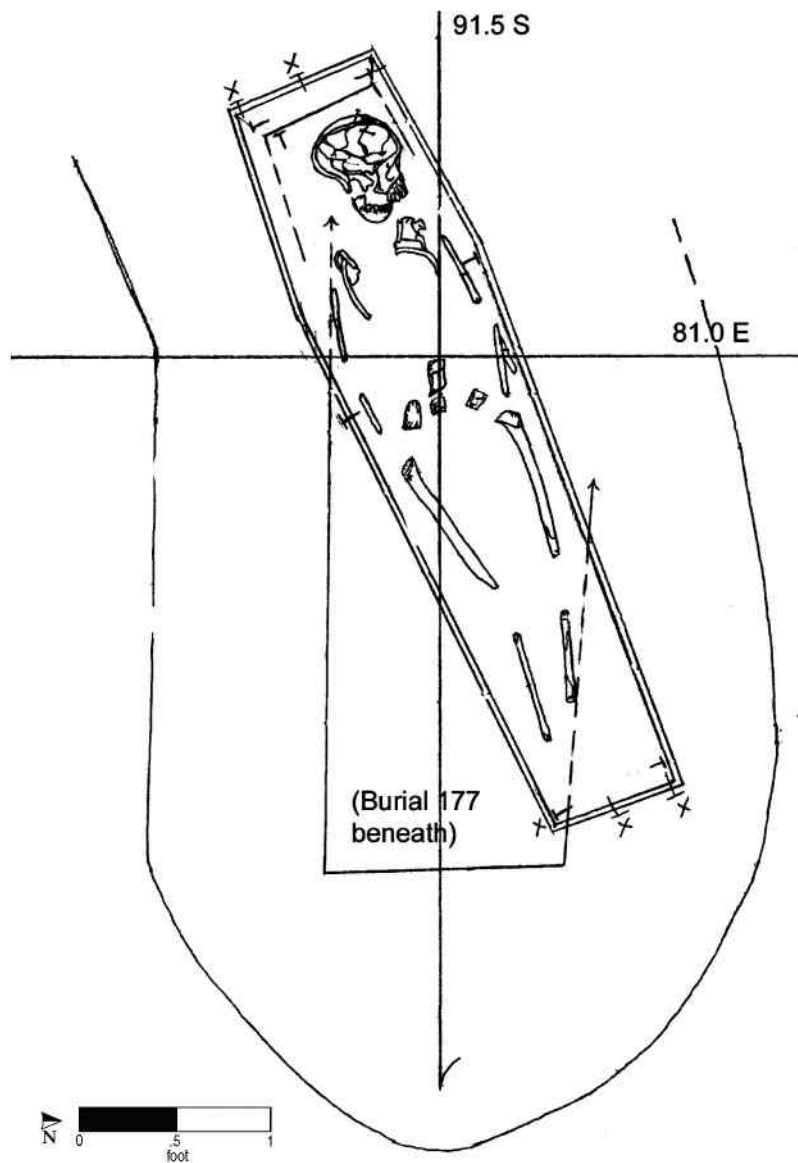
Burial 169, located in the former Republican Alley, was of a child between 5.5 and 9.5 years of age. Excavation records noted an opening elevation for the grave “pit” of 3.92 feet and the “pit fill” was described as mottled gray and red-brown sandy clay. This apparently referred to the excavation pit rather than the grave shaft. Drawings and photographs did not indicate a distinct grave-shaft outline except in the southwest corner of the cut. The shaft for Burial 169 appeared to have been encompassed largely within the grave shaft of Burial 177, which lay immediately below. A fragment of unidentified animal bone was collected from the grave fill.

The child’s coffin lid was first encountered at an elevation of 3.18 feet. It was poorly preserved and the coffin walls slumped in at the top. The shape was not apparent, although after the skeletal remains were fully exposed, the north coffin wall seemed to suggest it was hexagonal. This may be a false impression caused by the bowing of the coffin sides as it decayed. The coffin bottom was at an elevation of 2.10 feet, slumping into Burial 177 below. The remains were in poor condition. The child was interred in the supine position with the head to the west and arms at the sides. The cranium and right humerus were recovered separately, but the remaining postcranial remains had slumped into the underlying Burial 177.

Three straight pins were recorded on the cranium, and several pin fragments and a pin with attached cotton fibers were cataloged in the

laboratory. However, the latter item may have been the pin mentioned in field notes for Burial 177.

The coffin in Burial 169 lay directly atop the coffin in Early Group Burial 177, which held an adult of undetermined sex, between 30 and 60 years of age. The child’s coffin had slumped into the underlying adult grave. The Burial 169 grave appeared to have been dug largely into the grave shaft of Burial 177, but the coffins were not aligned. Because of this stratigraphic relationship, Burial 169 has been assigned to the Middle Group.



Burial No. 169 (drawn by W. Williams and M. Schur on 2/5/92; Drawing No. 370).

Burial 170

Series 11

Catalog No. 928

Datum point: 38

Grid coordinates: S 96, E 65

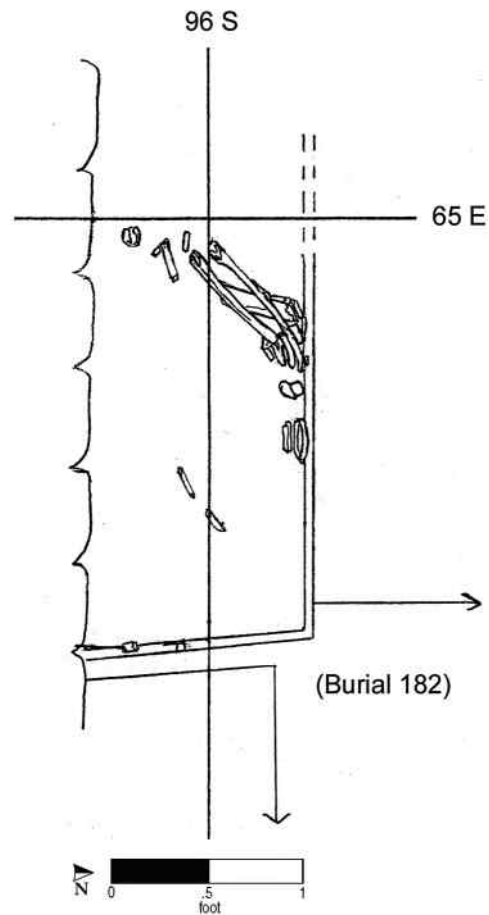
Elevation of highest skeletal material: 4.33 feet AMSL

Temporal group: Late

Burial 170 was a severely disturbed burial located along the south side of the former Republican Alley. It yielded only bone fragments of a child between 7 and 11 years of age and the remains of the eastern end of a coffin. Soil associated with the burial was described as dark clay, and no grave shaft was recorded. The grave was probably disturbed during construction of a stone foundation for a structure on Reade Street and perhaps by subsequent interments.

Wood from a coffin of undetermined shape was first recorded at an elevation of 4.33 feet. A fragment of “extraneous” bone, possibly belonging to Burial 168 immediately to the east (also very disturbed), was found on top of the coffin’s footboard. The coffin bottom lay at an elevation of 3.84 feet. The only artifact recorded in association with Burial 170 was a single nail recovered from the top of the east end of the coffin.

The surviving eastern end of Burial 170 lay directly over the surviving eastern end of Burial 189. Field drawings suggest that Burial 170 cut into and thus postdates the grave shaft of Burial 182 to the northeast. It is possible Burial 170 also cut into Burial 168 directly to the east, although the latter was 0.54 feet higher in elevation. Based on these relationships, Burial 170 is assigned to the Late Group.



Burial No. 170 (drawn by W. Williams on 2/7/92; Drawing No. 385).

Burial 171

Catalog No. 931

Datum point: 62

Grid coordinates: S 53.5, E 99.5

Elevation of cranium: 1.05 feet AMSL

Temporal group: Late

Burial 171 was of a man between 44 and 60 years old. The grave was located in the northern part of the excavated site, in an area where interments were relatively sparse. The fill of the grave shaft was reported to be gray-brown silt with light-colored silt and red sand lenses, but the grave appeared to have been dug through a surface midden containing charcoal, slate, and faunal remains. Artifacts in the fill included oyster and hard-shell clam, stoneware vessel fragments and kiln furniture, a single sherd of Staffordshire slipware, fragments of tobacco pipe, brick, and a flattened lead object originally identified as a musket ball. The grave was within the animal-waste dump identified in this part of the site. The mammal bones included 120 unidentified fragments and 85 cow bones, many of which were metatarsals, metacarpals, and phalanges.

The coffin was hexagonal; nails were found in situ on the sides and headboard. During excavation, the coffin lid was identified only as flecks of brown wood in the fill, but a knot collected as the lid sample was identified as pine. The sides of the coffin were intermittently preserved and identified as spruce. A very small portion of the foot of the coffin had been disturbed by construction or by an overlying later feature identified as a “channel” or ditch. The coffin lid elevation was 1.65 feet, and the coffin bottom was at 0.84 feet at the head and 0.65 feet at the feet.

The body was laid supine, with hands over the pelvis and head to the west. The bones, particularly in the lower body, were described as eroded and

brittle, and the cranium was crushed. Field records noted a pipe notch in the left premolars (bicuspid).

Artifacts included several straight pins. One was recorded on the lumbar vertebrae, several among the right ribs, and one on the sternum; the latter was depicted as curved. Fragments of a copper-alloy ring, originally identified as shroud pins, were recovered; it seems likely that this ring was recorded in the field as the sternum pin. It was subsequently identified as a possible button ring. None of the other pins was recoverable.

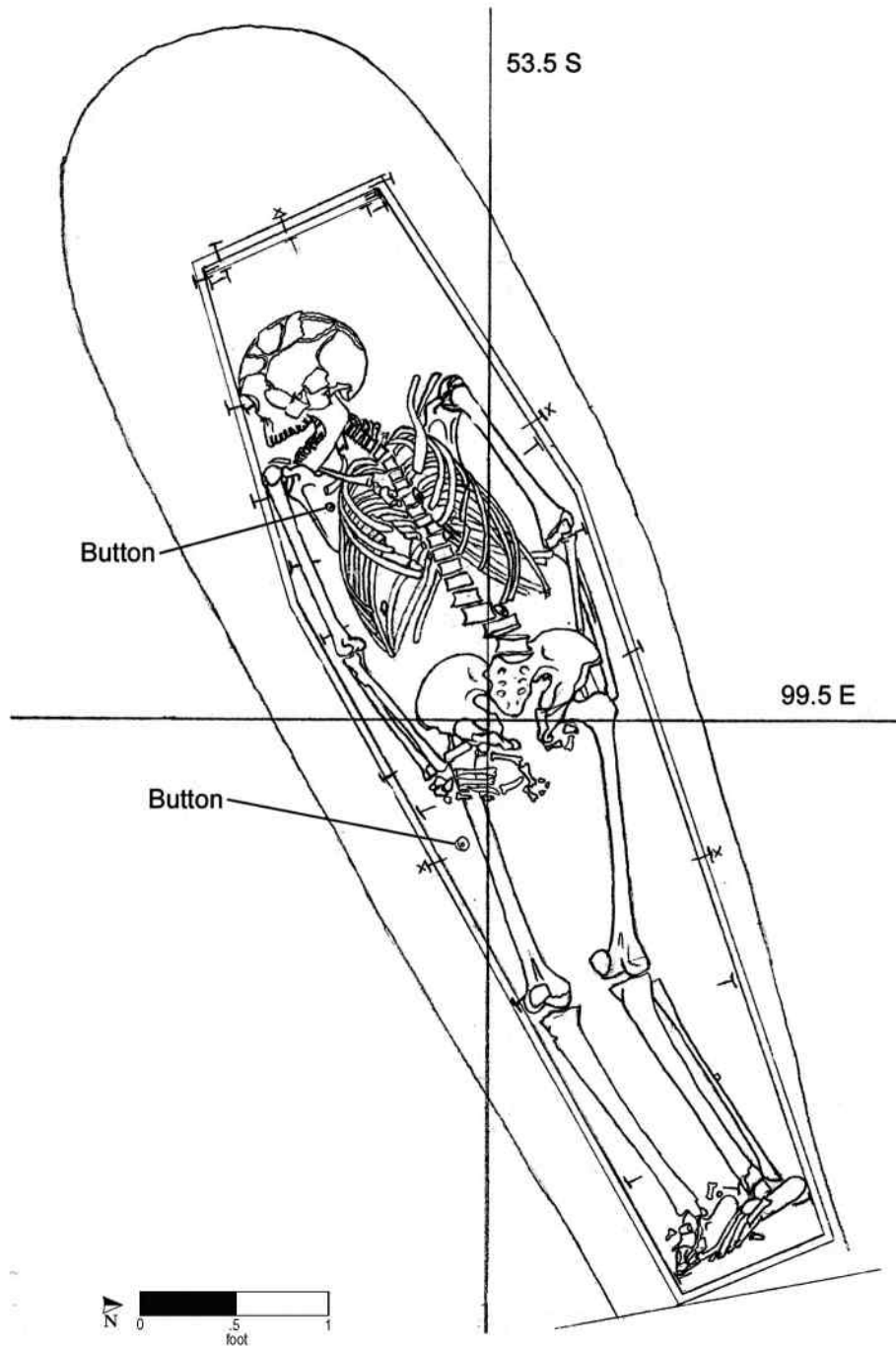


A center-drilled, turned-bone button (measuring 22 mm in diameter) was found alongside the right femur. A similar button, 10 mm in diameter, was found on the right scapula.

The grave was aligned in an apparent north-south row with Burials 209, 179, 180, 190, 173, and 205. These burials comprised a broad demographic range, but all had similar orientations and were fairly evenly spaced. Because construction destroyed burials farther to the south, it cannot be determined whether this possible row continued southward and included Burials 192 and 193.

Because of its location to the north of the line of postholes marking the former fence, Burial 171 has been assigned to the Late Group.

Burial 171 (cont.)



Burial No. 171 (drawn by W. Williams on 2/12/92; Drawing No. 408).

Burial 172

Catalog No. 935

Datum point: 67

Grid coordinates: S 40.5, E 88

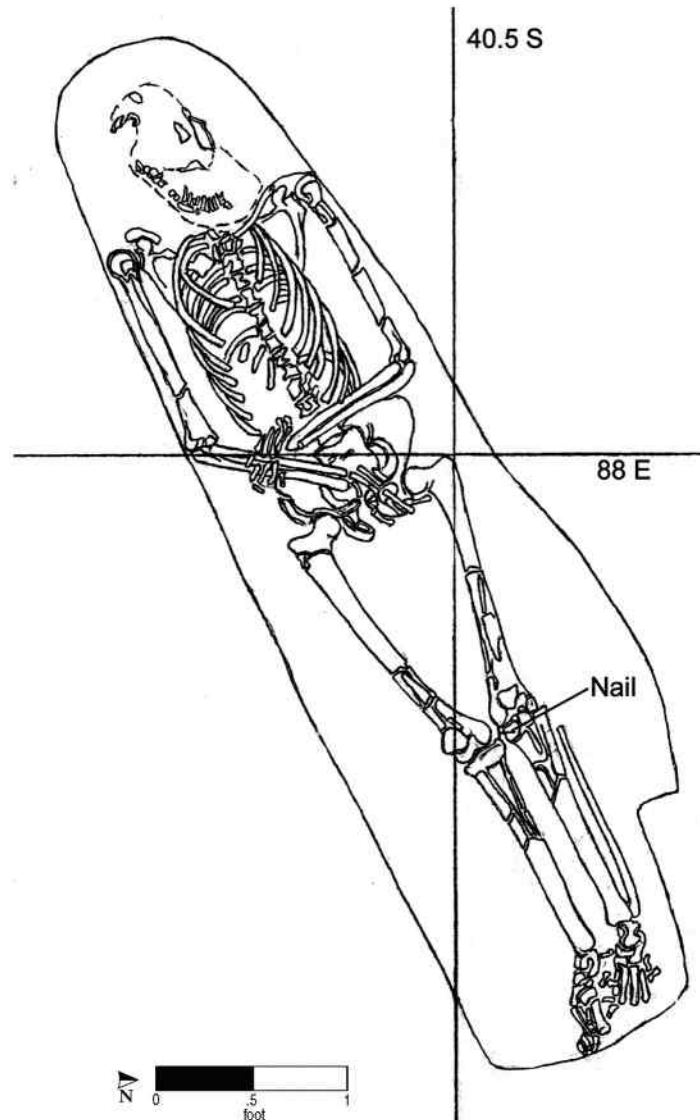
Elevation of cranium: 1.61 feet AMSL

Temporal group: Late

Burial 172 was of a woman between 25 and 36 years old. The grave was located in the northern part of the excavated cemetery, at the center of Lot 15. Its shaft fill was described as yellowish brown clay loam and contained two sherds of glazed stoneware, one sherd of undecorated redware, and one sherd of undecorated creamware. A nail and a small fragment of wood, 1.0 inch long by 0.5 inches wide, were also found in the grave fill, but they were not from a coffin.

The woman had been buried without a coffin, resting in a supine position with her head to the west. The left arm was flexed at a right angle, and the right arm was flexed at a 45° angle. The skeletal remains were in very poor condition; the skull and face were crushed and the teeth were loose. The skull was described as an amorphous mass. The lower skeleton was wet because the excavation shelter leaked. No artifacts were recovered in direct association with this burial.

Because this grave was located north of the former boundary fence, Burial 172 has been assigned to the Late Group.



Burial No. 172 (drawn by M. Schur on 2/9/92; Drawing No. 396).

Burial 173

Catalog No. : 936

Datum point: 62

Grid coordinates: S 57, E 101

Elevation of cranium: 0.55 feet AMSL

Temporal group: Late

Burial 173 was of an infant between 3 and 9 months old. The grave was located in the northern part of the excavated cemetery, along the east edge of Lot 16. The soil in the grave shaft was observed to be mottled tan, gray, and orange-brown clayey silt, flecked with charcoal and brick fragments. Large rocks were scattered throughout the fill. Excavators recovered four sherds of salt-glazed stoneware, a fragment of a pipe stem, and three oyster-valve fragments. Two fragments of animal bone were also recovered, a long bone from a small mammal and a portion of a cow's ulna (forelimb).

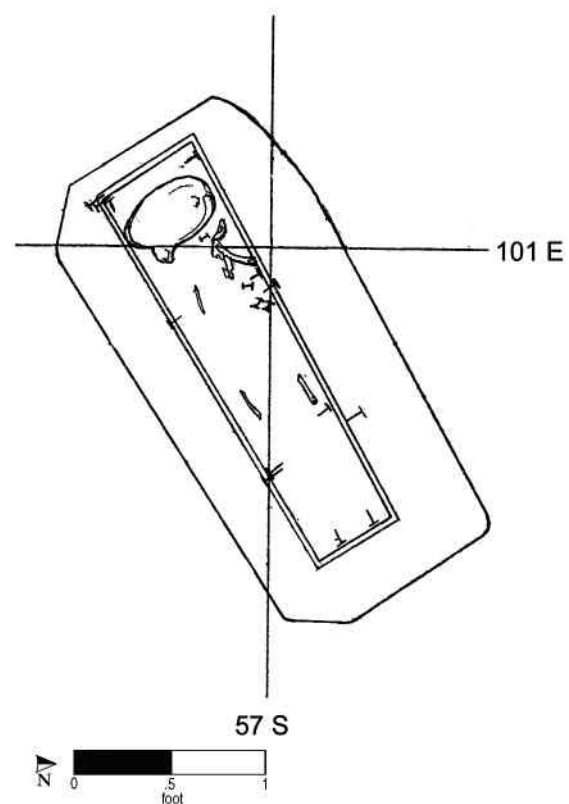
The small rectangular coffin appeared to have collapsed outward, but portions of the coffin bottom were fairly well preserved. All four edges of the coffin floor had horizontal nails in situ. A sample of coffin wood was collected but not identified for species. The highest elevation for skeletal remains was at 0.55 feet at the cranium; the lowest elevation for skeletal remains was at 0.45 feet at the left femur. The infant's remains were poorly preserved, and little bone was found intact. Portions of the cranium remained, and some teeth were visible in situ. Excavators identified portions of the left humerus and right femur, but the remains were described as more of a stain than actual bone, and the soil within the coffin area was observed to be wet and clayey. The child had been placed in an extended position with his or her head toward the west.

Excavators recorded four straight pins in the chest and arm area, but they do not appear to have been recovered. Fragments of copper alloy, presumably from pins, were found in the soil pedestal beneath the remains. A piece of 4-mm lead shot was recov-

ered from the burial in the eastern part of the coffin; this item may have been present in the soil matrix or may have been directly associated with the deceased. It was placed in the coffin for reburial.

Burial 173 appears to have been aligned in a north-south row with Burials 171, 179, 180, 190, 205, and 209. These burials comprised a broad demographic range, but all had similar orientations and were fairly evenly spaced (with the exception of this child and the child in Burial 190, which were more closely spaced). Because construction destroyed burials farther to the south, it cannot be determined whether this possible row continued southward and included Burials 192 and 193.

Because of its location north of the fence post line, Burial 173 is assigned to the Late Group.



Burial No. 173 (drawn by W. Williams on 2/4/92; Drawing No. 366).

Burial 174

Series 19

Catalog No. 940

Datum point: 50

Grid coordinates: S 60.5, E 90

Elevation of cranium: 2.31 feet AMSL

Temporal group: Late

Burial 174 was of a man between 17 and 18 years old. Most of the grave-shaft outline was discernable (except at the head of the grave), and the outline appeared to be rectangular in shape. The fill from the grave shaft was described as mottled silty clay with small amounts of sand. It contained kiln furniture (two spacer fragments and one whole spacer), a fragment of olive-green glass, a cow molar, and fragments of clam shell.

The man's coffin lid was first encountered at an elevation of 2.76 feet, recorded in the southeast corner. Hexagonal in shape, the coffin was well preserved, with cracks in the boards visible. Nails were recorded in situ, including eight vertical top nails that attached the lid to the sides. Fragments of a tack and one other possible tack were identified among the coffin nails during laboratory examination. The coffin was drawn in plan and cross section. A wood sample from an unspecified location was identified as cedar. The coffin bottom was reached at an elevation of 1.80 feet, recorded in the southwest corner.

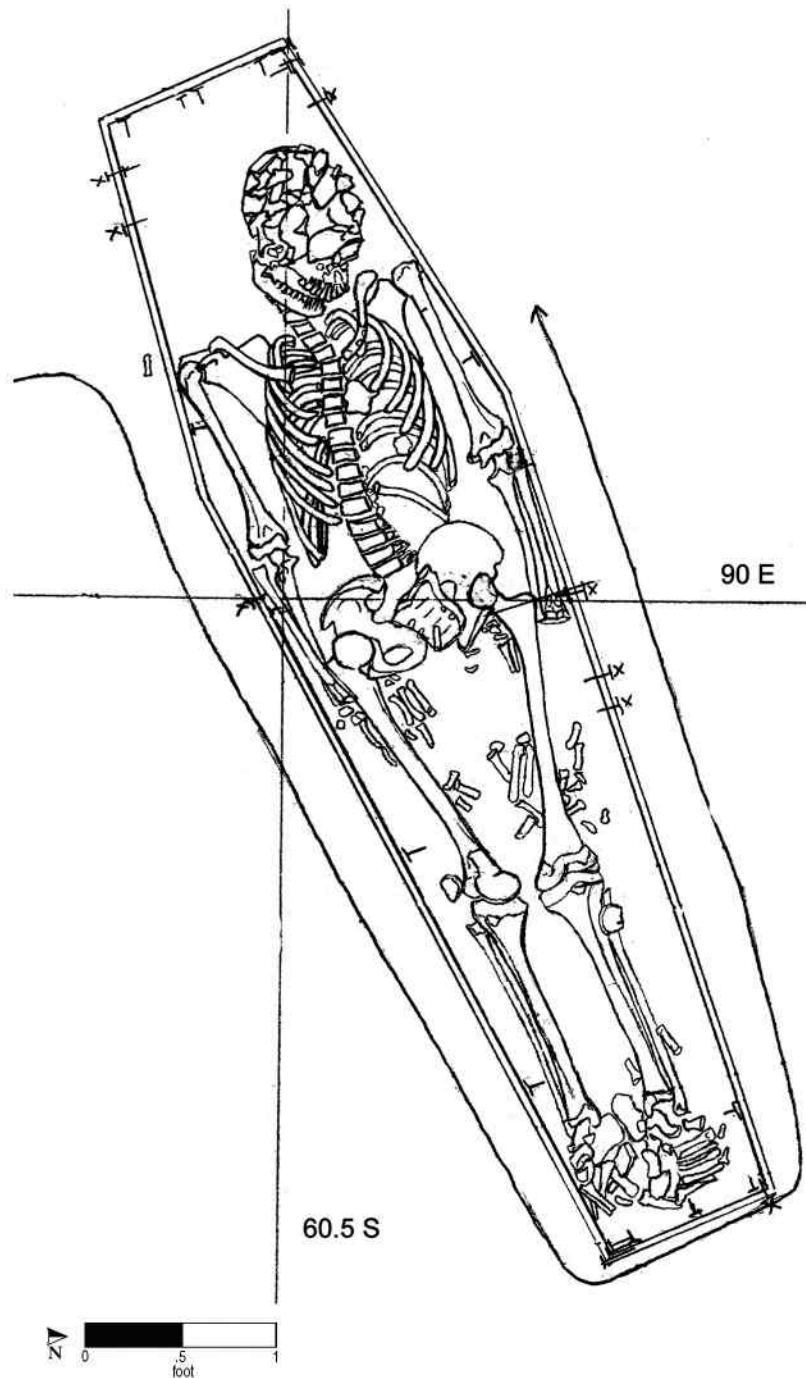
Two straight-pin fragments were recovered from a flotation soil sample taken from the coffin lid; it is likely these were present in the soil matrix or were directly associated with the bones, but they may have been placed on the lid deliberately. The pin fragments were not salvaged after the destruction of the World Trade Center on September 11, 2001.

The man had been placed in the supine position with his head to the west and arms at his sides. The skull was crushed, and the lower vertebrae, pelvic area, and hands were somewhat disturbed. The skeletal remains were described as being in poor condition with multiple fractures. As noted, the skull was crushed and distorted; the hand bones were scattered along the medial sides of the femurs.

Two highly degraded pewter buttons were recovered during cleaning of the human remains in the laboratory. They were located on the lumbar vertebrae and the right innominate bone. They were not measurable and had no identifying attributes.

Burial 174 was located in Lot 15 and may have been part of a row of burials beginning in the north with Burial 194 and including Burials 191 and 158. All of these graves were of adult males, ranging in age from late teens to thirties. Burial 174 was placed partially on top of the foot end of Burial 134 but only cut into the grave shaft. Because of its location north of the former boundary fence, Burial 174, like the above-listed burials, has been assigned to the Late Group.

Burial 174 (cont.)



Burial No. 174 (drawn by W. Williams on 2/9/92; Drawing No. 395).

Burial 175

Series 34

Catalog No. 941

Datum point: 81

Grid coordinates: S 72, E 64.5

Elevation of vertebrae: 4.44 feet AMSL

Temporal group: Middle

Burial 175 was of a man between 24 and 28 years of age. The grave had been completely disturbed by the interment of Burial 257, and the disarticulated bones from Burial 175 were redeposited in the grave shaft above the later coffin. It is possible the exhumation of the bones was deliberate and that Burial 175 represents an intentional secondary burial. The fill of the grave shaft was mottled bluish yellow and light brown. It contained 2 clay pipe stems, 4 pearlware sherds (providing a terminus post quem of ca. 1780, but only for the later burial), 1 redware sherd, 10 nail fragments, 4 oyster shell fragments, and 1 cow bone.

There was evidence of a coffin for the disturbed burial, but the shape could not be determined. Excavators noted that two nails found underneath Burial 257 may have belonged to Burial 175 but were not bagged separately from Burial 257's nails.

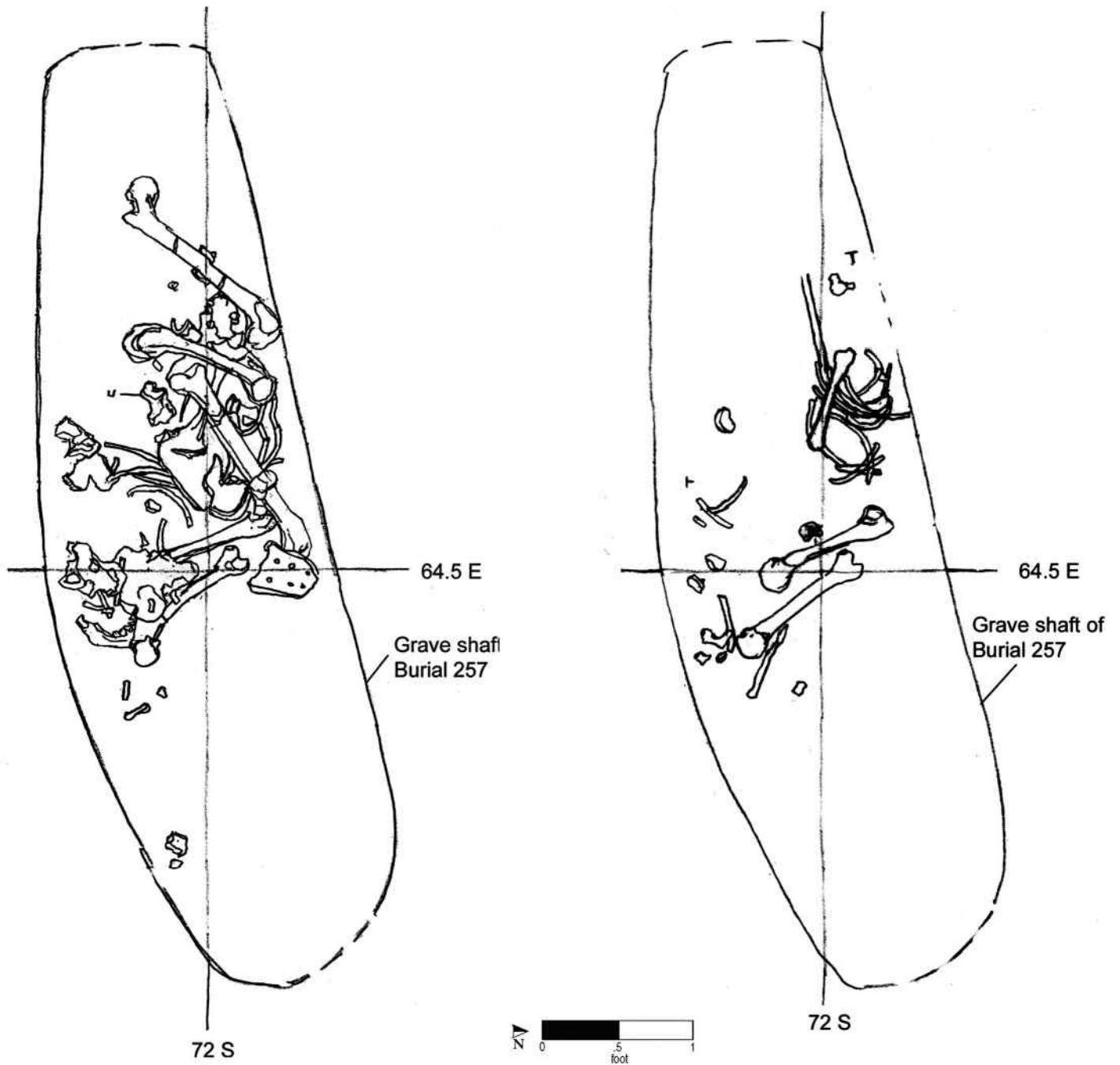
When the excavator took down the coffin walls of Burial 257 on all sides, one nail was found 6 inches west of the western coffin line. Another nail was found about 4–6 inches south of the southern part of the coffin wall. The excavator indicated that there appeared to be a coffin line in association with this nail. Fragments of a long bone and a possible hand bone were found underneath Burial 257; these may have been part of Burial 175.

The skeletal elements were in fair condition but were disarticulated. A straight pin was associated with Burial 175, but the provenience was not recorded.

Burials 257 and 175 were aligned with the fence line that crossed the cemetery and once marked its northern extent. One posthole from the fence (Feature 67) was directly west of the burials; another (Feature 105) abutted them on the southeast and may have been cut into by one or both of the burials. Burial 257 apparently postdated the fence and has been assigned to the Late Group. The artifacts in the shaft fill, which corroborate Burial 275's dating, do not provide a date for Burial 175, leaving the relative dating of the earlier burial ambiguous. In the absence of definitive evidence, Burial 175 has been assigned by default to the Middle Group.

(continued on pages 235–236)

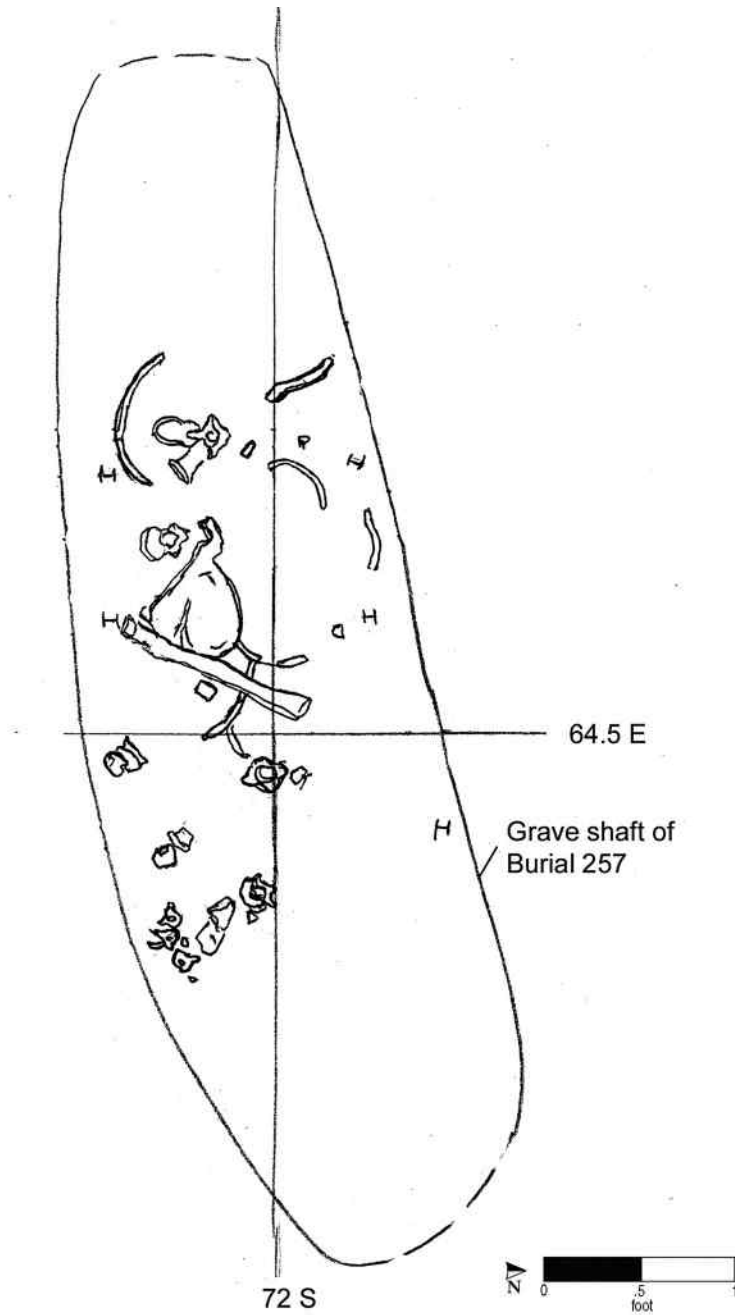
Burial 175 (cont.)



Burial No. 175 (in sequence) (drawn by E. S. on 3/10/92; Drawing Nos. 1205 and 1206).

(continued on page 236)

Burial 175 (cont.)



Burial No. 175 (in sequence) (drawn by E. S. on 3/12/92; Drawing No. 1207).

Burial 176

Series 17

Catalog Nos. 942 and 1479

Datum point: 58 (Datum Point 80A indicated on burial form and Drawing No. 459)

Grid coordinates: S 74.5, E 66

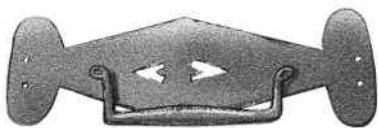
Elevation of cranium: 3.10 feet AMSL

Temporal group: Late-Middle

Burial 176 was of a man between 20 and 24 years of age. The grave was located at the rear of Lot 14, along the south side of a row of postholes that marked one or more fences that crossed the cemetery from southwest to northeast along the patent boundary. Soil in the grave shaft consisted of dark gray-brown fine silt, mottled with yellow silt, and a few rock inclusions. The grave-shaft outline was apparent at an elevation of 4.46 feet along the east and northeast edges at the start of excavation. The west end of the burial had been disturbed, probably by the erection of the temporary shelter that was used during the archaeological excavation.

The coffin lid, hexagonal in shape, was at elevations of 4.46–4.06 feet. It was decorated with tacks along the perimeter, spaced 2 inches apart. Sixty tacks were recorded in situ. Six inverted bail handles with back plates were also recovered, two on each side, one at the foot, and one in the disturbed area at the western end. The latter was retrieved when a balk was cleared. These handles had been attached to the sides of the coffin through pairs of screw holes in each “ear,” approximately 1 inch below the lid. The five recovered in situ were numbered in the field as artifacts 176.1, 176.1A, 176.2, 176.3, 176.4, and 176.5. The sixth was assigned Catalog No. 1479 in the lab. A screw was also recorded on the lid at the foot of the coffin; it may have been associated with the foot handle.

Pieces of the heavily rusted coffin handles were X-rayed, revealing details of their manufacture,



Composite sketch of handles from Burials 90 and 176.

shape, and decoration. They were hand-wrought, with dual cutouts decorating the center of each back plate (see reconstruction at right, drawn by Cheryl LaRoche and Robert Schultz). A single example of the same type of handle was also identified from Burial 90.

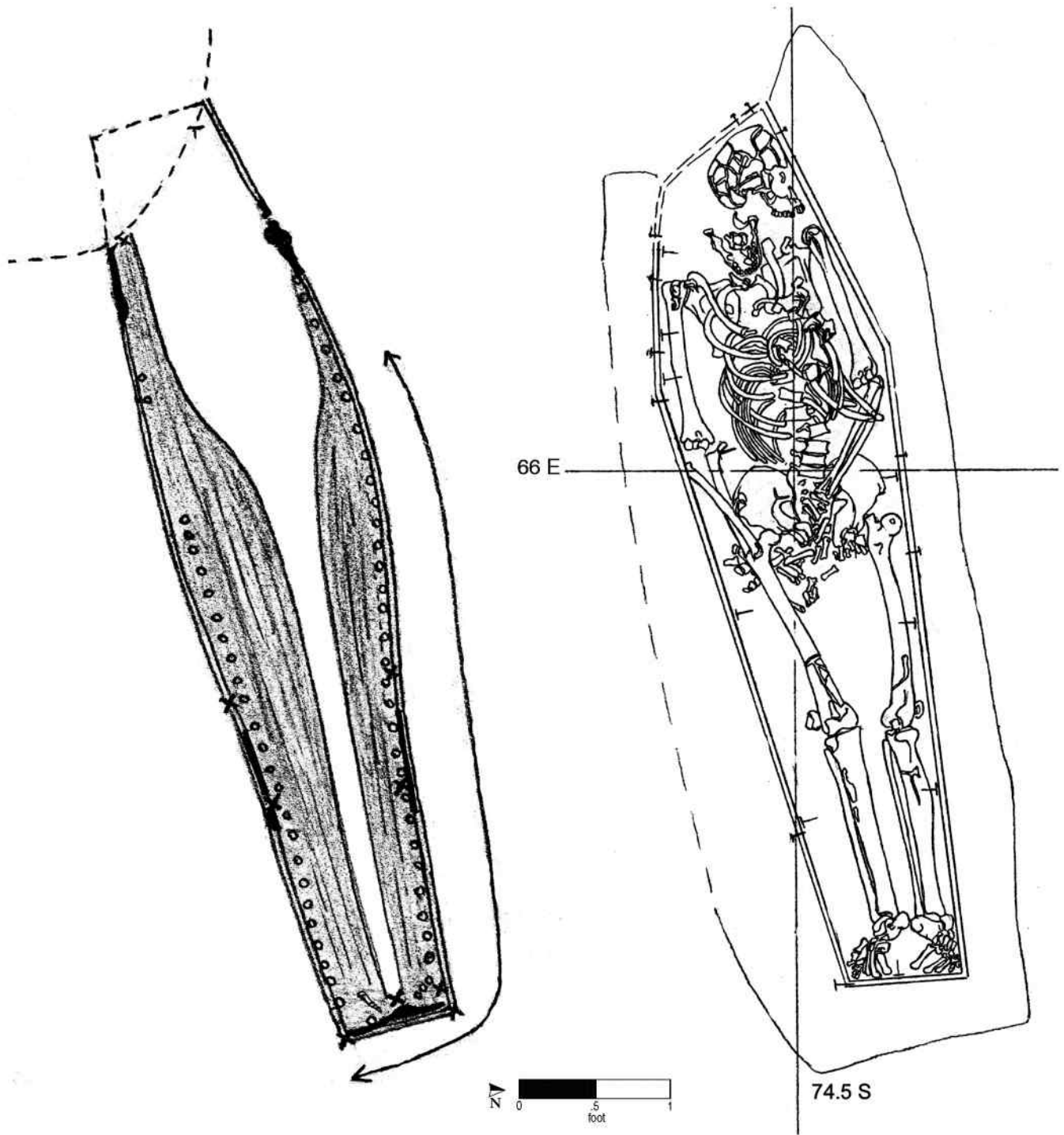
In addition to the decorative tacks on the lid, nails used to construct the coffin were recorded in situ around the perimeter at top and bottom. The lowest recorded elevation for the bottom of the coffin was 2.73 feet. The man had been placed in supine position, with his head to the west and his hands crossed over his pelvis. Other than the coffin, the only artifact found in association with the remains was a straight-pin fragment, recovered during laboratory cleaning from soil surrounding the mandible and cervical vertebrae.

Burial 176 was immediately north of the infant Burial 312. Field maps indicate that Burial 176 overlay the northwest corner of the Burial 312 coffin, but this is not possible because Burial 176 was recorded as half a foot lower in elevation. Burial 176 was at the southern edge of a temporary excavation shelter (Structure A), and Burial 312 and other burials to the south were within another shelter (Structure C). It is likely that a recording discrepancy occurred in the field when Structure A was removed. The stratigraphic relationship between Burials 176 and 312 cannot be determined. Burial 310 was immediately to the west of Burial 176, but the stratigraphic relationship is also unclear.

As noted, postholes (Features 62 and 105) were aligned just north of Burial 176. Field recording was not sufficient to determine the stratigraphic relationship between the burial and the postholes. Burial 310 to the west and Burial 145 to the east also appear to have been placed exactly along the south side of the fence line. Because of this apparent pattern, it is hypothesized that all three were interred while a fence was standing. Based on this positioning abutting the fence, as well as the tacks that appear to be of post-1760 manufacture, Burial 176 has been assigned to the Late-Middle Group.

(continued on page 238)

Burial 176 (cont.)



Burial No. 176 (drawn by S. P. and M. Schur on 2/8/92 and 3/3/92; Drawing Nos. 1062 and 459).

Burial 177

Series 11B

Catalog No. 946

Datum point: 40 (Provenience sheet indicates No. 41, but drawing indicates No. 40; elevations from drawing appear to be accurate.)

Grid coordinates: S 91.5, E 80

Elevation of cranium: 2.23 feet AMSL

Temporal group: Early

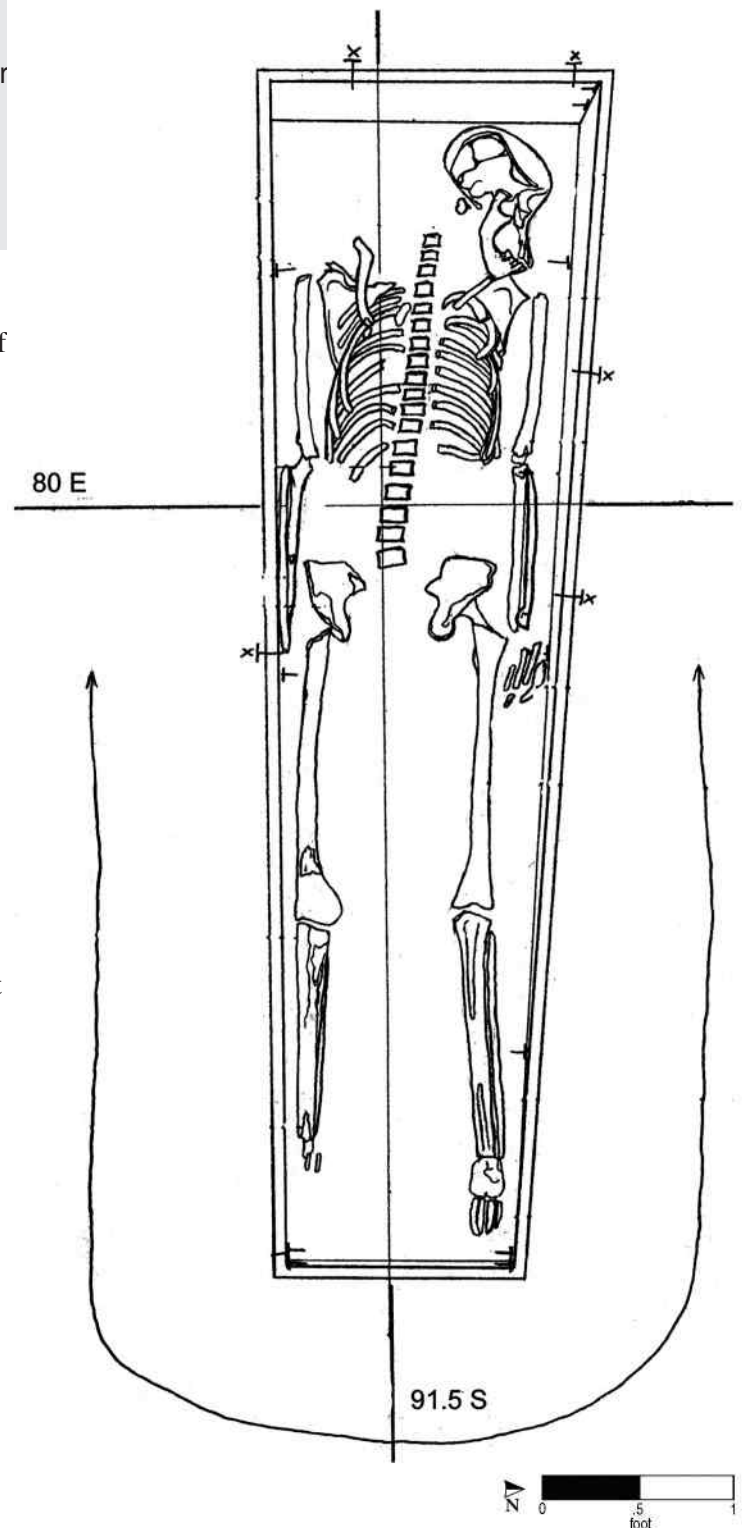
Burial 177, located in the former Republican Alley, was of an adult between 30 and 60 years of age whose sex could not be determined. Excavation of the grave shaft began at an elevation of 3.92 feet. Soil was described as mottled gray and yellowish red coarse sand with silt. The grave shaft was large, but the western edge was not recorded. Three overlying burials (Burials 123, 128, and 169) had apparently disturbed the grave shaft.

The coffin lid was first encountered at an elevation of 2.50 feet; the western edge and portions of the north and south walls were obscured. The bottom of the coffin was at 1.84 feet. The coffin was four sided, tapering slightly toward the foot. A wood sample from the lid area, identified as eastern white pine, was later reassigned as a soil sample. The deceased had been placed in the supine position with head to the west and arms at sides. Skeletal remains were in fair condition, but portions of the pelvis were missing.

Field records indicate that a straight pin with attached hair was recovered; however, this item was not cataloged in the laboratory. The pin with attached cloth that was cataloged with Burial 169 may actually have been the pin noted in Burial 177.

The coffin in Burial 169, the grave of a child aged 5.5–9.5 years, lay directly upon the coffin in Burial 177, and most of the grave shaft of Burial 169 was dug into that of Burial 177. Burial 128 (on the southeast) and Burial 123 (on the northwest) also overlay the grave shaft of Burial 177. Burial 128 lay approximately 1.40 feet above, and Burial 123 was approximately 1.38 feet higher in elevation. Based on the tapered, four-sided coffin, and on the strati-

graphic relationship to the abovementioned burials, Burial 177 has been assigned to the Early Group.



Burial No. 177 (drawn by W. Williams on 2/11/92; Drawing No. 399).

Burial 178

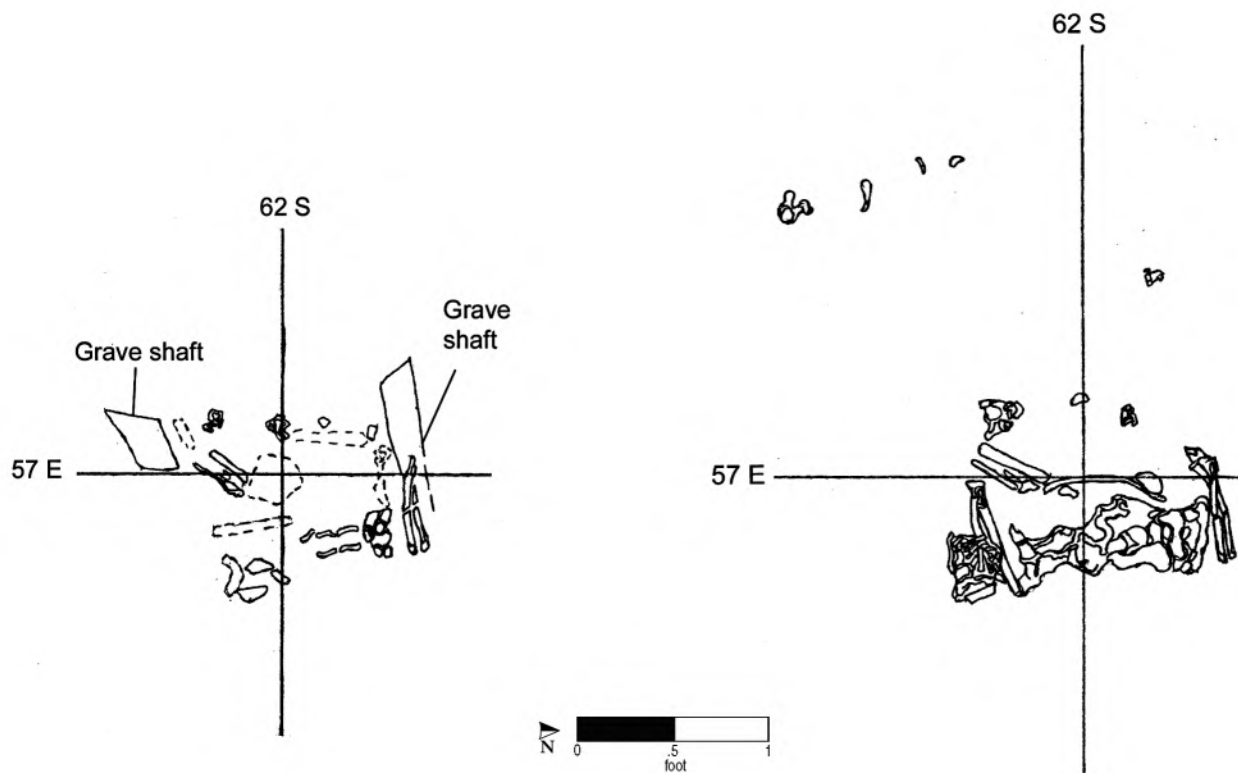
Catalog No. 948
 Datum point: 43
 Grid coordinates: S 62, E 57
 Elevation of cranium: 4 feet AMSL
 Temporal group: Late

Burial 178 was that of a man of an undetermined age. This burial was severely disturbed on the east and west ends, and the excavators noted that the bone was in very poor condition. The associated soil was described as mottled yellow, gray, and red clay, with silt and sand. The excavator recorded that brick, mortar, and broken stone were found below the skeletal remains. None of these artifacts

was retained in the field, and no soil samples were taken.

No coffin was associated with Burial 178. The excavator noted grave cuts on the north and south side of the burial, although elevations were not recorded. The elevation of the lowest point of the skeletal remains was 3.81 feet.

Burial 125, a heavily disturbed grave with few skeletal elements, was approximately 5 feet southwest of Burial 178. The graves did not appear to have been placed with regard to each other, and both were heavily disturbed by subsequent construction episodes. Based on its location, well to the north of the former cemetery boundary, Burial 178 has been assigned to the Late Group.



Burial No. 178 (drawn by M. Schur on 2/5/92 [left] and 2/13/92 [right]; Drawing Nos. 374 and 416).

Burial 179

Catalog No. 949

Datum point: 66

Grid coordinates: S 46.5, E 98

Elevation of cranium: -0.3 feet AMSL

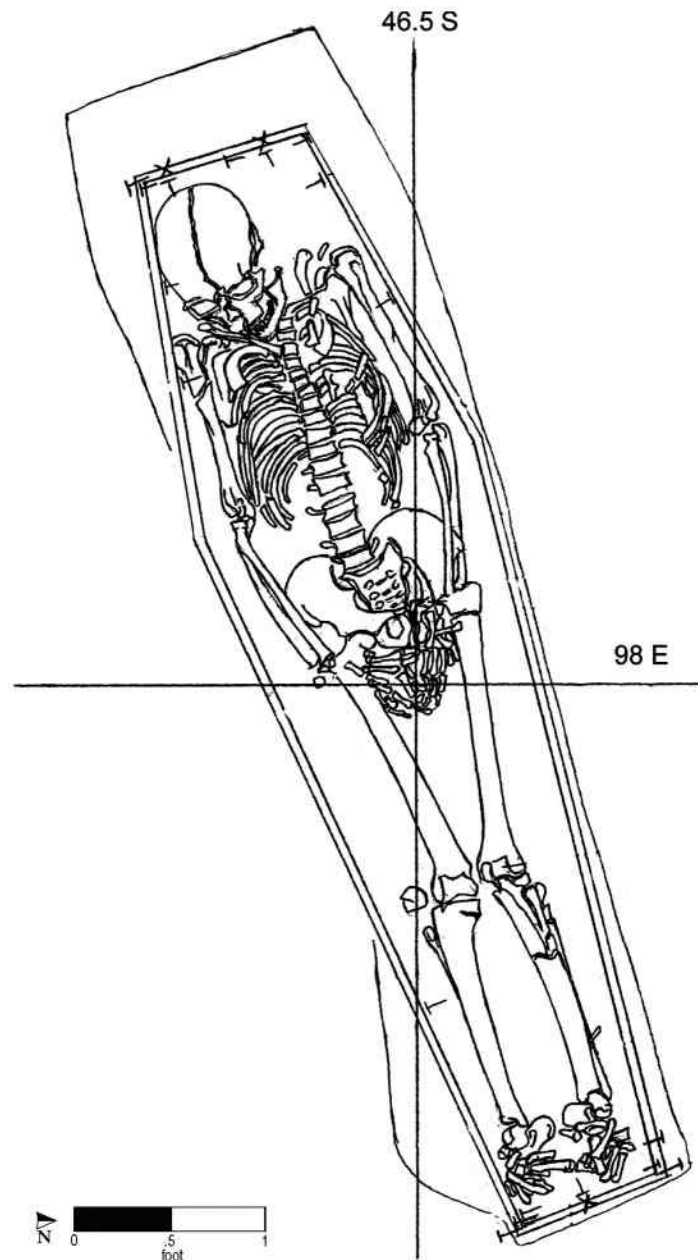
Temporal group: Late

Burial 179 was of a man between 25 and 30 years of age. His grave was located in the northern part of the excavated cemetery, along the eastern edge of Lot 15. The grave-shaft fill was recorded as bluish clay, with streaks and spots of yellow-green iron deposits, but the fill directly over the coffin was described as coarse, red, silty sand. The grave fill contained relatively few artifacts, including 1 brick fragment, 1 sherd of salt-glazed stoneware, and 10 fragments of oyster shell.

The hexagonal coffin lid was encountered at an elevation of 0.21 feet, and the floor of the coffin was at -0.70 feet. The man had been buried in supine position, with his head to the west and his hands resting over his pelvis. It appeared that his fingers may have been interlaced or that one hand overlay the other. Two copper-alloy straight-pin fragments were recovered from the remains. An unidentified organic fragment, possibly hair, was also directly associated with this burial. The exact provenience of these materials was not recorded.

Burial 179 was located in an apparent north-south row with Burials 209, 180, 171, 190, 173, and 205 and possibly Burials 192 and 193 to the south. These burials comprised a broad demographic range, but all had similar orientations and were fairly evenly spaced.

Because of its location north of the former boundary fence, Burial 179, along with other burials in this possible row, has been assigned to the Late Group.



Burial No. 179 (drawn by M. Schur on 2/19/92; Drawing No. 438).

Burial 180

Catalog No. 960

Datum point: 66

Grid coordinates: S 50, E 97.5

Elevation of cranium: 0.12 feet AMSL

Temporal group: Late

Burial 180 was of a child between 11 and 13 years of age. The grave was located in the northern part of the excavated cemetery, at the eastern edge of Lot 15. Soil in the grave shaft was described as coarse orange sand over yellow-green and blue mottled clay. It contained six fragments of salt-glazed stoneware, one of painted light-blue delft-style ceramic, and one of a redware “waster” vessel. The fill also yielded a gunflint, two unidentified bone fragments, a sherd of olive-green bottle glass, a fragment of aqua-colored window glass (possibly broad glass), and a few pieces of clam and oyster shell.

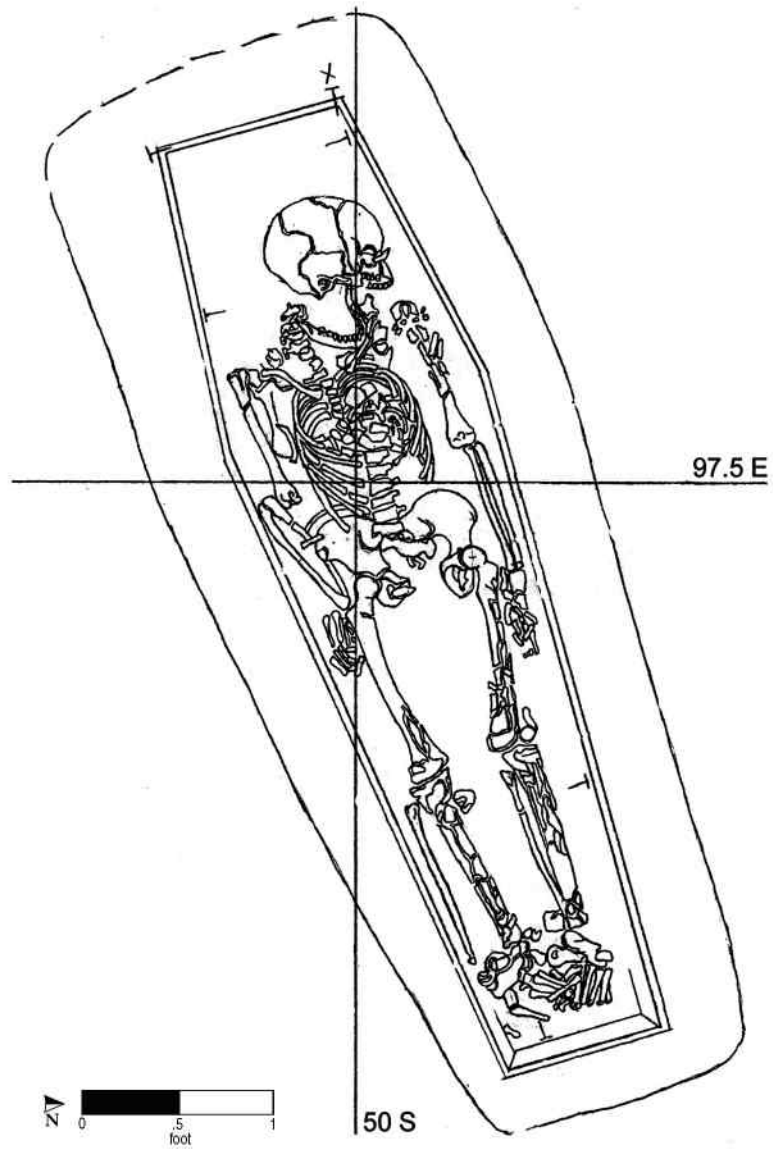
The child was buried in a hexagonal coffin. The lid was at an elevation of 0.7 feet, and the bottom of the coffin was at 0.29 feet. Nails were recorded

in situ at its perimeter. The coffin lid had decomposed to a black stain overlying pinkish red silty clay within the coffin; the skull was lying atop this distinct soil layer. The child’s body had been laid out supine with the head toward the west. His or her arms were extended downward at each side. The skeleton was in good to poor condition, with breaks and erosion particularly at the epiphyses (the ends of juvenile long bones).

Artifacts associated with this burial included fragments from copper-alloy straight pins, which were found on the cervical vertebrae and the left innominate bone during cleaning of the skeletal remains in the laboratory. While cleaning the bones of the left hand, laboratory staff recovered a single strand of hair (possibly human), along with aqua, red, and purple threads; these may have been intrusive.

This grave was located in what appeared to have been a north-south row, with Burials 209, 179, 171, 190, and 173, and possibly Burials 192 and 193 to the south. Because of its location north of the former boundary fence, Burial 180 has been assigned to the Late Group.

Burial 180 (cont.)



Burial No. 180 (drawn by M. Schur on 2/12/92; Drawing No. 414).

Burial 181

Series 33

Catalog No. 967

Datum point: 54

Grid coordinates: S 66, E 115

Elevation of highest skeletal remains (pelvis): 2.23 feet

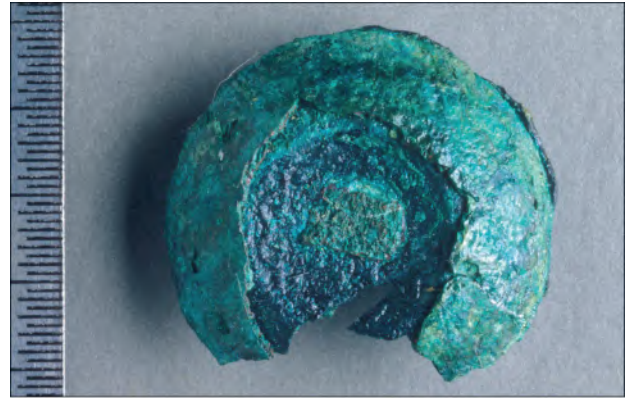
Temporal group: Late

A young man, aged 20–23 years, was laid to rest in Burial 181. He was buried directly in the sandy, silty soil, without a coffin. The skull and much of the upper body were missing because of the intrusion of Feature 58, a large privy with subsequent construction, at the northern edge of the burial. A portion of the burial had slumped into the privy's trench and was recorded in the southern profile of this feature. The surviving grave-shaft outline was recorded as roughly “scalloped” along the southern side.

The fill of the grave shaft contained several pieces of salt-glazed stoneware and kiln furniture, earthenware, and two sherds of redware. Sherds of olive-green bottle glass and some window glass were also collected, along with brick fragments, nail fragments, and an unidentified lump of probable iron. The fill also contained an animal bone fragment, seeds, and a few fragments of oyster and hard-shell clam.

No coffin remnants or hardware were associated with Burial 181. Field notes refer to two “possible coffin nails along northern border of grave fill” but they may have been from the privy disturbance. The young man had been placed in an extended supine position with his head to the west. The highest elevation for skeletal remains was at the pelvis at 2.23 feet, and the lowest elevation was at the scapula at 0.14 feet. The bones were disarticulated, and these elevations reflect this disruption from their original positions. The surviving bones showed fair to good preservation, despite much breakage.

Six buttons were recorded among the in situ skeletal remains, and a seventh was recovered and examined in the laboratory. One of the buttons was domed, of copper-alloy cast, two-piece construction, 22 mm in diameter, and was located on the torso. Two flat copper-alloy buttons (one 20 mm in diameter and the other 29 mm) and three



bone-backed, copper-alloy-covered buttons were found in the pelvic area, suggesting trousers. The provenience of the seventh button, a bone-backed button similar to the other three, is not known. The four composite buttons had stamped copper-alloy faces and turned-bone backs with looped copper-alloy wire shanks. They were essentially identical in manufacture, although three were 25 mm in diameter and one was smaller, 16 mm. All of them appeared to have been decorated with impressed designs, and at least one had a gilt finish. According to the laboratory records, copper-alloy cuff links attributed to this burial were treated by the conservator, but subsequently were listed as missing. No cuff links were mentioned in the field notes, and none was found in the laboratory when the Howard University archaeological team began their work.

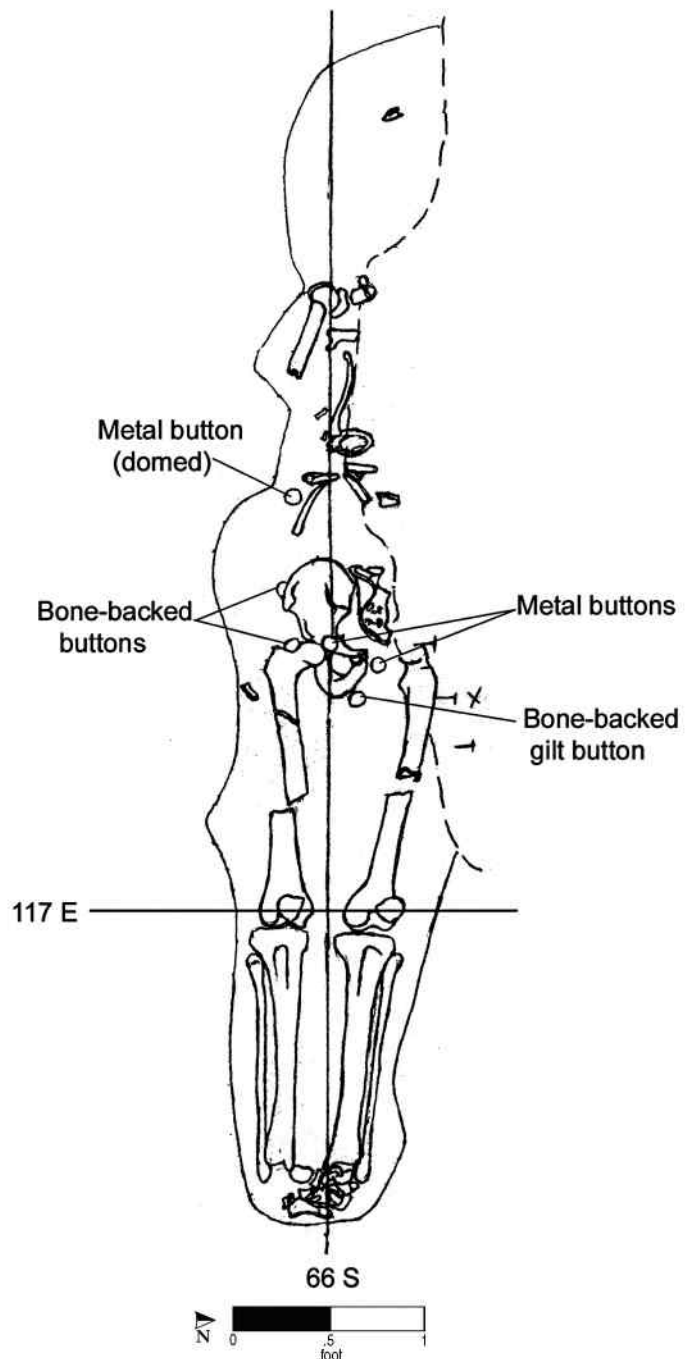
The damage suffered by Burial 181 was mostly from the impact of Feature 58, as mentioned above. Burial 181 was interred immediately adjacent to Burial 156 and appears to have disturbed the northern side of that burial, including the coffin wall.

Postholes in the immediate vicinity did not appear to have disturbed Burial 181, although the burial was located just along or immediately north of the

Burial 181 (cont.)

projected fence line. Two or three features, including Feature 88, are shown on the burial drawing for Burial 156 as overlying the soon-to-be-exposed Burial 181. However, there are no notes for Feature 88 and no recorded elevations, and it is possible some of the “features” shown in the drawing are actually portions of Burial 181 before it was fully defined. The closest fully recorded posthole, Feature 75, was located immediately adjacent to the east end of the burial. Its bottom elevation was 1.99 feet, only about 0.2 feet lower than the feet. Because the evidence suggests that Burial 181 postdates the boundary fence, this grave has been assigned to the Late Group.

Some of the postholes in this area may have been from a late version of the fence, constructed in 1797. The original wood-lined privy on Lot 16, represented by Feature 58A, was oriented to the street grid. It is hypothesized that this privy was dug by the lot's first owner, ca. 1794 (Cheek 2003). The second phase privy, Feature 58B, is superimposed on the first and was oriented to the diagonal property line rather than to the street, suggesting that a fence along this line was erected in the interim. This may have been in 1797, when adjacent lots with the diagonal property line at their rears were first sold and developed. The privies on those lots were oriented to that line (Cheek 2003).



Burial No. 181 (drawn by M. Schur on 2/19/92; Drawing No. 441).

Burial 182

Series 11

Catalog No. 970

Datum point: 40

Grid coordinates: S 94, E 69

Elevation of cranium: 3.81 feet AMSL

Temporal group: Early

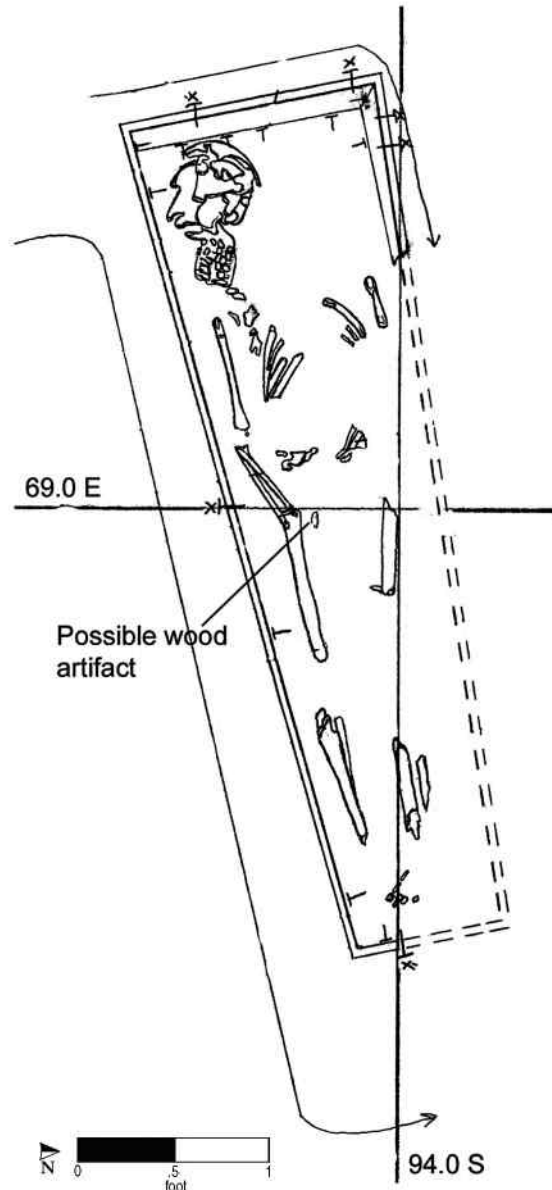
Burial 182, near the south edge of the former Republican Alley, held the remains of a child between 7.5 and 12.5 years of age. The grave shaft was filled with mottled clayey silt. Its northern edge was obliterated, and the coffin was partially disturbed by another burial.

Excavation of the burial began after skeletal elements were noted during excavation of Burial 148. Field notes indicate that during initial definition of the burial outline, the skeletal remains sustained some damage. The coffin lid was first encountered at an elevation of 4.29 feet, near the northwest corner. The lowest elevation of the coffin bottom was 3.43 feet, near the southeast corner. Nails were recorded in situ around the perimeter of the surviving portion of the coffin, at both top and bottom. Wood samples from an unspecified part of the coffin were identified as cedar.

The deceased had been laid in a four-sided, tapered coffin, in the supine position, with the head to the west and arms at the sides. The remains were in poor condition, with most of the upper torso, pelvis, left arm, and portions of the long bones missing, and the cranium was crushed.

A possible wooden artifact was recovered from north of the right femur and bagged separately in the field; this item was never cataloged in the laboratory. No other artifacts other than the coffin nails and wood were associated with this burial.

Burial 148 cut into Burial 182 along the northern side. Burial 182 was also overlain along the south side by Burial 168 and at the southwest corner by Burial 170. Because of the stratigraphic relationship to these burials, and the apparently tapered, four-sided coffin, we assigned Burial 182 to the Early Group.



Burial No. 182 (drawn by W. Williams on 2/10/92; Drawing No. 398).

Burial 183

Catalog No. 971

Datum point: 60

Grid coordinates: S 50, E 113.5

Elevation of cranium: 0.33 feet AMSL

Temporal group: Late

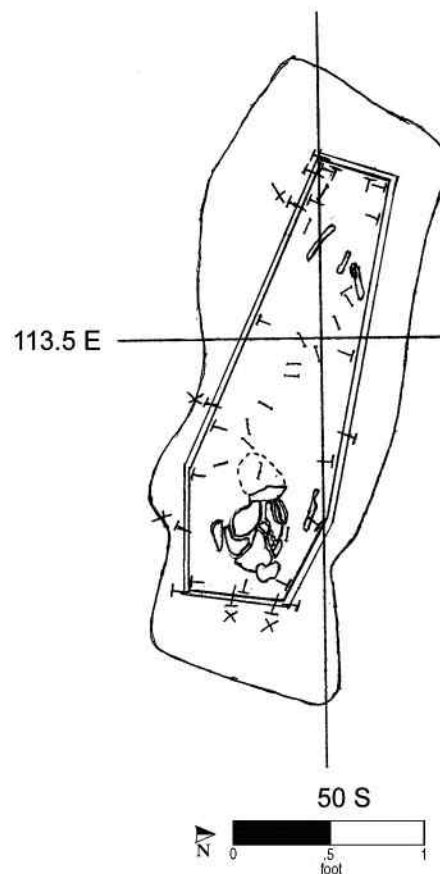
Burial 183 was of an infant between 8 and 16 months of age, buried with the head oriented toward the east rather than the west. The grave was located in the northern area of the excavated cemetery, in the central part of Lot 16. The grave cut appeared irregular in shape; its fill was described as mottled light gray, red-brown, and yellow-brown clay. It contained a few fragments of stoneware, shell, brick, and pipe stems. Several cow bones were also present in the fill, including hoof parts; this grave was probably dug after the deposition of the animal-waste dump identified in this part of the site.

The infant had been buried in a hexagonal coffin. Skeletal remains were in very poor condition—the skull was crushed and only fragments of the right humerus, right femur, and right tibia remained. The coffin lid was recorded at an elevation of 0.81 feet and its bottom at 0.17 feet. It slumped down towards the southwest. Nails were recorded in situ around the perimeter of the coffin on both the top and bottom. Field records indicate that coffin wood preservation was excellent, and the coffin lid was photographed and mapped. Wood samples were taken, and the south side board was identified as cedar and the north as spruce. Excavators noted flecks of possible paint over the entire surface of the coffin lid and a concentration of orange-red color on the north side. Field drawings indicated that a sample was collected, but it was not brought to the attention of the conservators or inventoried

by Howard University laboratory staff; therefore, the substance was never analyzed.

Skeletal remains were in very poor condition and very incomplete, as was typical for infants. Fifteen straight pins were recorded in situ in the burial, distributed across the full length of the remains.

Burial 183 was relatively isolated, although it lay to the west of a possible north-south row of adult burials. The surrounding area was disturbed by later construction, and it is possible that other burials were originally located closer to this infant. Because of its location north of the fence line, Burial 183 is assigned to the Late Group.



Burial No. 183 (drawn by M. Schur on 2/15/92; Drawing No. 429).

Burial 184

Catalog No. : 972

Datum point: 60

Grid coordinates: S 52, E 108.5

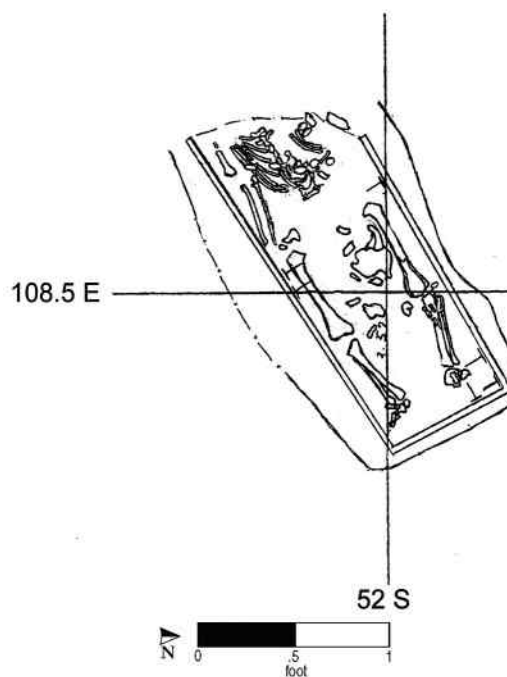
Elevation of highest skeletal element: 0.44 feet AMSL

Temporal group: Late

Burial 184 held the remains of a child between 1 and 1.5 years old. The grave was located in the northern part of the excavated cemetery, within Lot 16. The burial had been disturbed, the western portion truncated. The fill in the grave shaft was described as light brown-gray sandy clay, and it contained a piece of stoneware kiln furniture, fragments of shell, and seven pieces of cow bone, all whole or partial phalanges and one sacrum fragment. Apparently, this grave was dug into the animal-waste dump identified in this area of the site.

The child's four-sided coffin was encountered at an elevation of 0.45 feet. Nails were recorded around the perimeter. The skeleton had been truncated about mid-torso, leaving only the lower portion of the skeleton. The remaining bones were deemed in fair condition, but scattered. The body had been placed in supine position, with head to the west, the arms along the sides and legs extended. No pins or other artifacts, aside from the coffin remains, were noted or recovered from this burial.

Burial 184 was relatively isolated but originally may have been in a loosely defined north-south row with Burials 259, 278, and 230, all adult burials. Because the area surrounding Burial 184 was heavily disturbed by later construction, the original presence of closer burials cannot be ruled out. Burial 184 has also been assigned to the Late Group, based on its location north of the former cemetery boundary.



Burial No. 183 (drawn by M. Schur on 2/15/92; Drawing No. 429).

Burial 185

Series 53

Catalog No. 982

Datum point: 63

Grid coordinates: S 54.5, E 122

Elevation of cranium: 0.85 feet AMSL

Temporal group: Late

Burial 185 held the partially displaced, coffinless remains of a man between 21 and 23 years of age. The upper portion of the skeleton was apparently in its original place, but the lower portion of the skeleton had been moved—the disarticulated bones had been placed immediately to the south, beneath Burial 243 and directly atop an infant's coffin, Burial 305.

The soil in the Burial 185 grave shaft contained a large amount of animal bone, including cow-hoof parts and horn-core pieces (probably from a waste-dumping episode in a tannery in this area). There were also numerous dog bones, which, along with those from the shaft of adjacent Burial 243, appear to represent a complete animal burial. Dog burials accompanying humans have been excavated at several Late Woodland Native American sites. However, the dog skeleton was not recorded in situ, and field notes for Burials 185 and 243 do not indicate that the dog was deliberately placed in a grave. The fill also contained pieces of clam and oyster shell, as well as numerous sherds of redware, salt-glazed stoneware, and kiln furniture. A minimal amount of brick and bottle glass, and a single iron nail were also recovered. The soil was characterized as yellow-brown and silty, with mottles of golden yellow. The silt surrounding the lower body was noted for its patches of red sand, comparable to the soil in adjacent Burials 241 and 243.

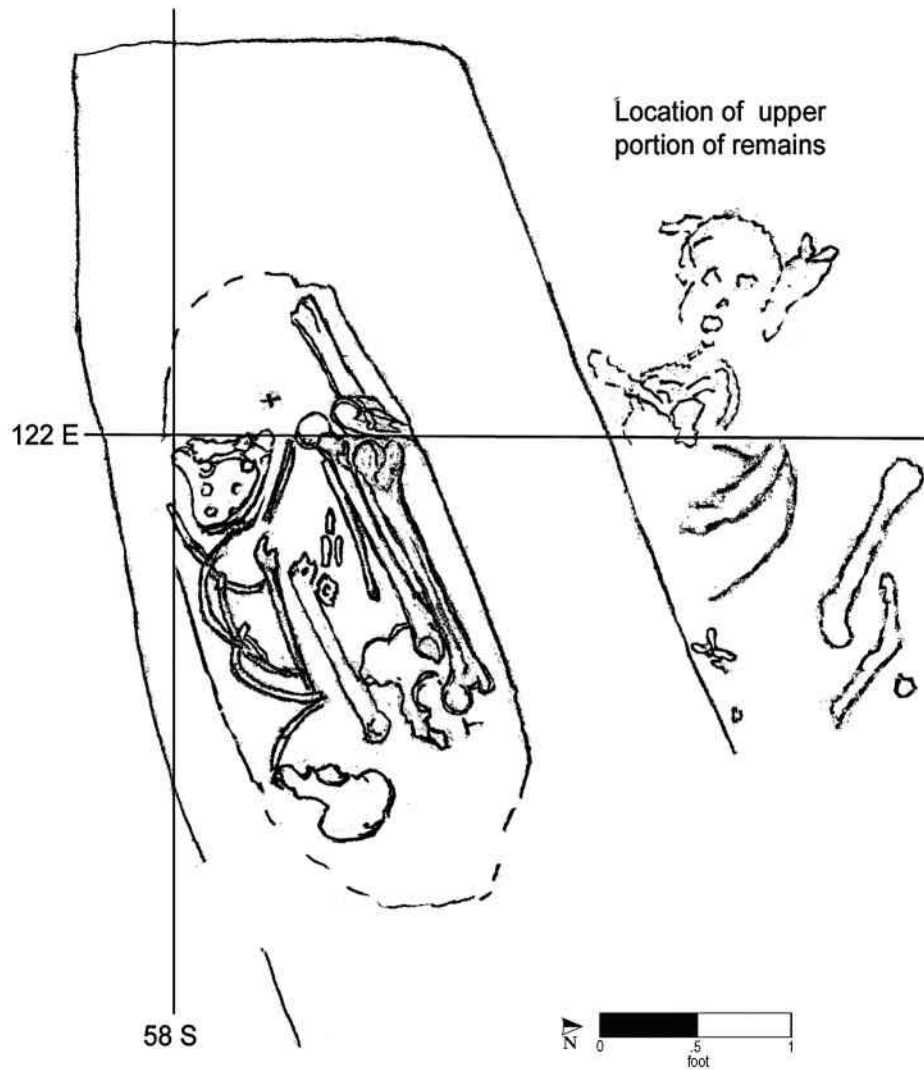
Because of the disturbed nature of this burial, high and low elevations were different for the upper and lower body. The highest elevation of the upper body was 0.8 feet at the dislocated left humerus; the lowest elevation was 0.5 feet at the dislocated scapula fragment. Assuming that the upper body represents the original placement of the remains, the man had been laid in the supine position with his head to the west. His leg and arm positions could not be determined. A spike of possible wrought iron was recovered about 1 foot west of the skull. It is not clear whether this item was from Burial 185 or was in the grave fill from the later Burial 241. It was not recovered after the collapse of the World Trade Center on September 11, 2001.

The grave shaft of Burial 243, another coffinless man aged between 40 and 50 years, truncated Burial 185 and exposed the coffin of Burial 305, an infant less than 4 months old. This later interment occurred after the remains in Burial 185 had decomposed, an interval of at least 2–3 years. The displaced bones from Burial 185 were positioned atop Burial 305, as though to acknowledge the disturbance and restore a perceived relationship. Burial 241 also disturbed the Burial 185 grave along the north edge, displacing the arm bones.

Extraneous remains designated as Burial 329.1, consisting of tibiae and fibulae in the grave shaft of Burial 329 (immediately to the east of Burial 185) may have been from Burial 185. Skeletal elements are not duplicated between the two burials. Both burials are of adults, although sex and age could not be determined for Burial 329.1. If they are indeed from one person, then Burial 185 predates Burial 329. Burial 185 and all of the abovementioned interments have been assigned to the Late Group because of their location north of the boundary fence line.

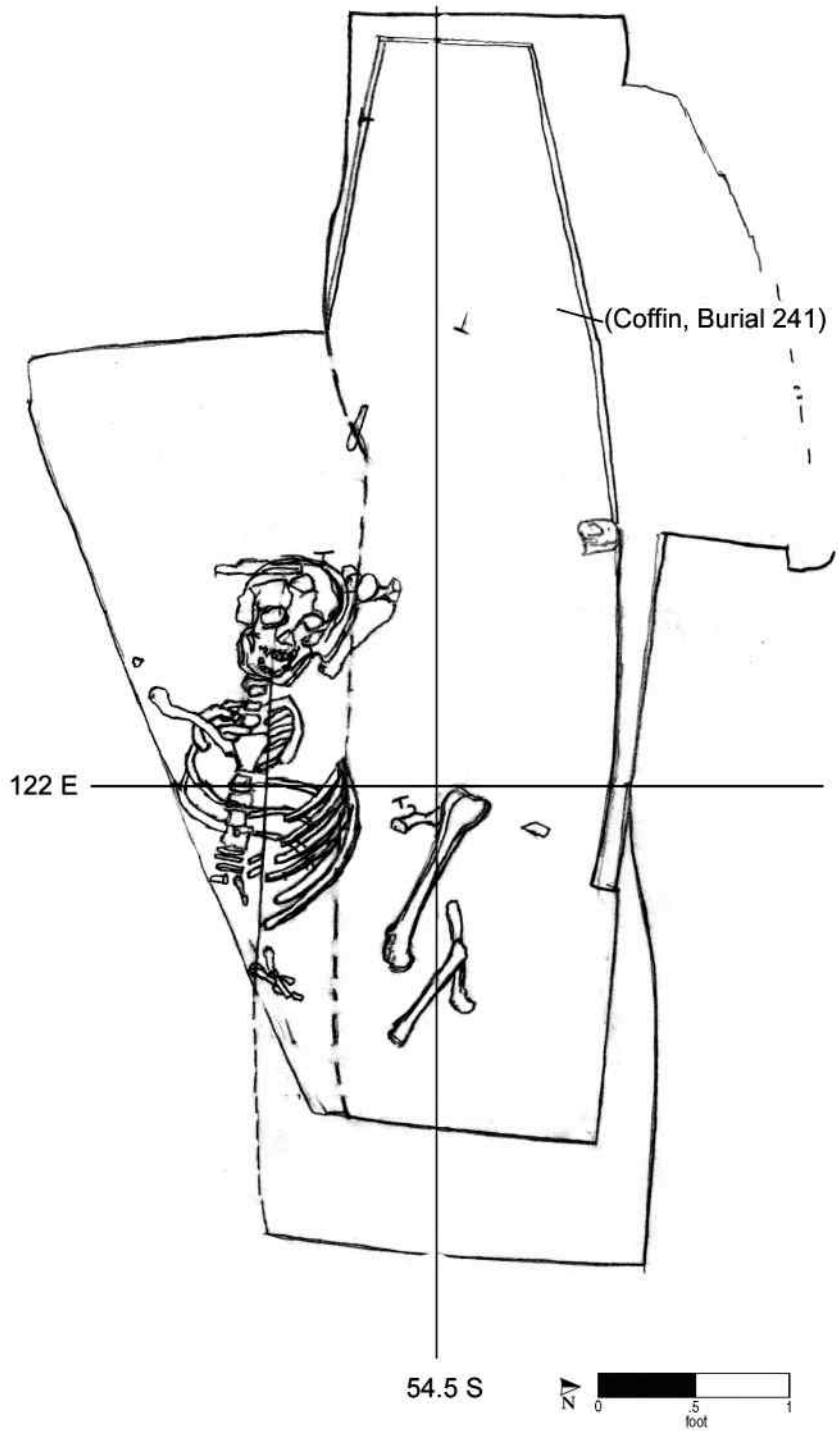
(continued on pages 250–251)

Burial 185 (cont.)



Burial No. 185 (drawn by E. S. on 4/5/92; Drawing No. 616).

Burial 185 (cont.)



Burial No. 185 (drawn by E. S. on 4/1/92; Drawing No. 596).

Burial 186

Catalog No. 987

Datum point: 65

Grid coordinates: S 47.5, E 110

Elevation of cranium: 0.09 feet AMSL

Temporal group: Late

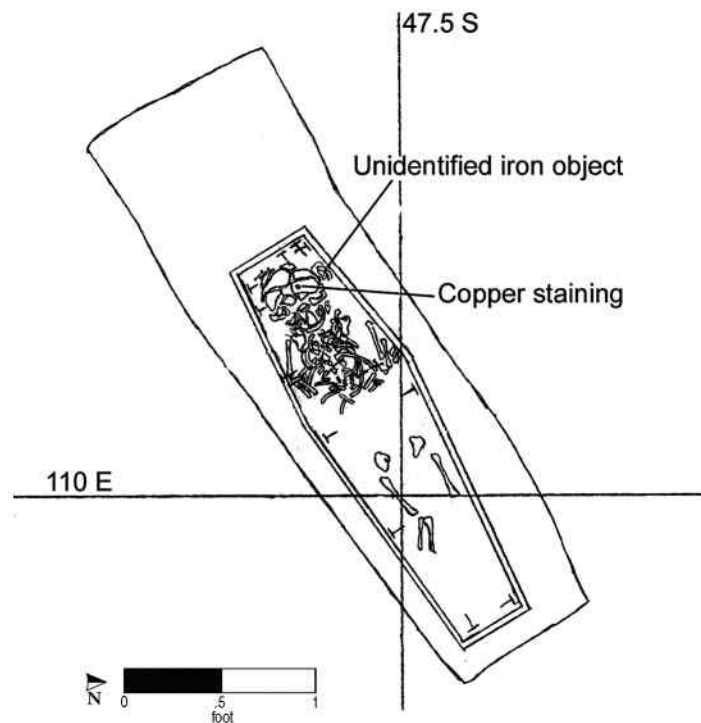
Burial 186 held the remains of an infant less than 2 months old, whose sex could not be determined. The grave was located in the northern area of the excavated cemetery, in the central part of Lot 16. The fill of the grave-shaft soil was described as light brown silty clay, mottled with yellowish brown, and noticeably wet, particularly toward the foot of the grave. The grave fill contained small amounts of shell, stoneware, and redware, as well as animal bone, including bovine phalanges. The grave was probably dug into the animal-waste dump identified in this area of the site.

The baby's hexagonal coffin was encountered at an elevation of 0.44 feet. A sample of the coffin lid was collected but not analyzed for species. Another wood sample, a twig or peglike piece, was found atop the coffin lid near the foot. It was determined to be spruce. Numerous nails were recorded in situ, and other hardware was recovered, including tacks and the head and shank of a hand-wrought screw. An unidentified iron object (possibly a nail) was recorded lying on the left side of the cranium.

The infant had been laid out in supine position, head to the west. His or her right arm was flexed. The bones were reportedly in fair condition, although the joints and extremities were missing and the ribs and vertebrae were disturbed. Excavators recovered a mass of curved copper-alloy pins from the cranium, with a remnant of cloth between the object and the bone. The item, upon analysis, was identified as an ornament consisting of a hand-shaped glass disc

(worked from flat glass) set in a frame of copper-alloy wire filigree. Eight straight pins were noted between the lower ribs and the cranium. Four were on the ribs. It is unclear how many of the other pins were actually part of the ornament; at least five pinheads were counted in the laboratory, along with numerous fragments.

This grave was relatively isolated; however, considering the substantial disturbance caused by later construction in the area, the original presence of other burials nearby cannot be ruled out. Because the grave was located north of the former graveyard boundary fence, Burial 186 is assigned to the Late Group.



Burial No. 186 (drawn by M. Schur on 2/15/92; Drawing No. 426).

Burial 187

Catalog No. 988

Datum point: 63

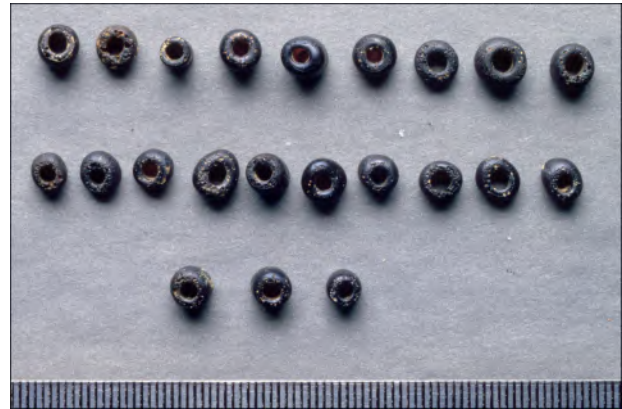
Grid coordinates: S 52.5, E 119.5

Elevation of cranium: 0.94 feet AMSL

Temporal group: Late

Burial 187 yielded the remains of a child of undetermined sex, between 1.5 and 4 years old. The grave-shaft fill contained several mammal bones, two oyster shell fragments, and a sherd of stoneware. The excavators did not provide a description of the soil. According to field records, Burial 241 disturbed the south edge of Burial 187. (*Authors' note:* Burial 241 was mislabeled as Burial 185 in the field drawings.) Field records also indicate a possible posthole, designated Feature 87, at the east end of Burial 187. This feature was bisected during excavation, and when the profile outline disappeared, excavators concluded that it was not a posthole.

The hexagonal coffin lid was recorded at an elevation of 1.18 feet and the bottom at 0.61 feet. Nails were recorded in situ around the perimeter of the coffin, and a screw was later recovered from a soil sample. The child had been buried in supine position with head to the west. The skeletal remains fit very tightly within the coffin. The hands may have originally lain over the lower abdomen but had been disturbed. The skeletal remains were described as being in very good condition, especially given the young age of the child. The cranial vault was crushed; the lumbar and pelvic regions, as well as the hands, were disturbed.

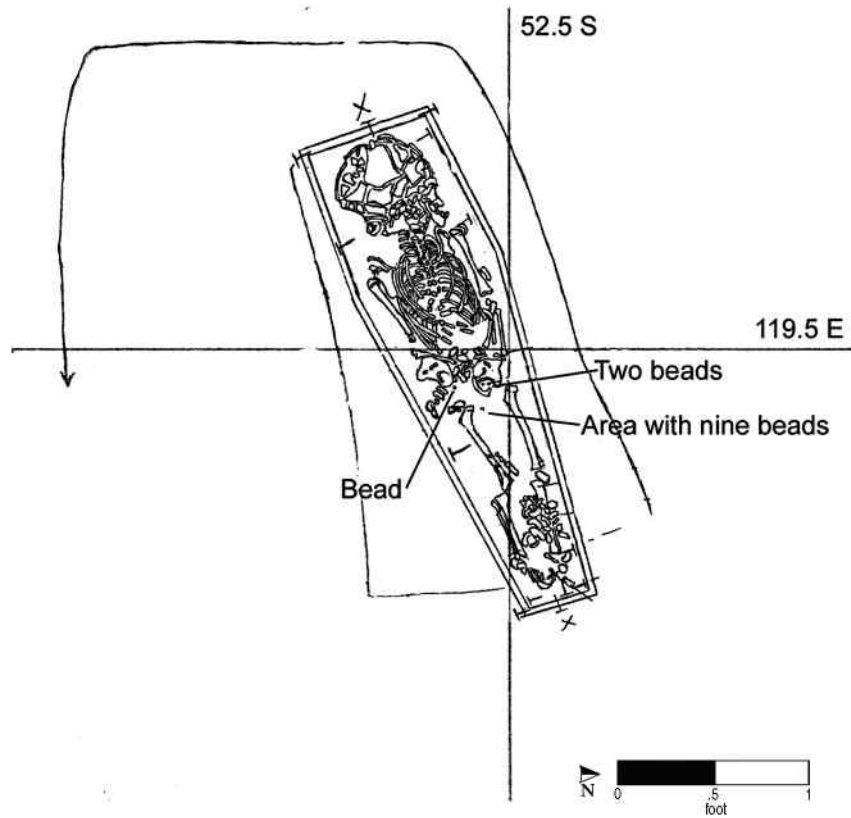


Burial 187 contained 22 black glass beads. Twelve beads were found in situ immediately to the east of the pelvis. Ten more beads were found during screening of the soil. The beads were drawn and oblate, donut-shaped to tubular. Most were dull, but some beads had a shinier surface. Under strong light some appeared dark reddish; this may be the actual color of all of the beads. The beads may have been from a bracelet, or bracelets, or a strand around the child's hips. Fragments of straight pins were also found during laboratory cleaning of the skeletal remains, but their original provenience was not recorded. Copper staining was noted on the right temple.

Burial 187 has been assigned to the Late Group because of its location north of the former boundary fence. The child was buried between two adults, both women, in an alignment that may represent a north-south row stretching across the excavated site.

(continued on page 254)

Burial 187 (cont.)



Burial No. 187 (drawn by M. Schur on 2/14/92; Drawing No. 424).

Burial 188

Catalog No. 1010

Datum point: 45

Grid coordinates: S 58.5, E 52.5

Elevation of highest point of skeleton: 3.85 feet AMSL

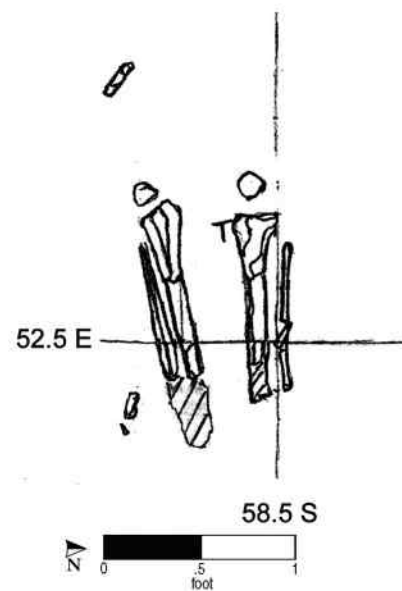
Temporal group: Late

Burial 188 held only the tibiae, fibulae, and patellae of an adult aged 26–32 years, whose sex could not be determined. The burial was truncated on the west by a nineteenth-century foundation wall for a structure on Lot 13. It was truncated on the east by disturbances (presumably also from the nineteenth century) within Lot 14. The bask held one more skeletal element, a damaged rib fragment. Grave-shaft fill was described as brownish gray silty sand with clay. The grave-fill artifacts consisted of two sherds of redware and a brick fragment, and a few intrusive objects, including two bottle glass fragments, a piece of window glass, and a wood fragment.

The scanty field records do not indicate whether a coffin was detected. The grave-shaft outline is also questionable. Field notes record the presence of a single nail between the tibiae, but additional nails, with wood attached, were cataloged in the laboratory. The lowest elevation recorded for the skeletal remains was 3.43 feet. The remains were well

preserved but shattered. Despite the construction disturbance, the remaining bones appeared to be in anatomical position; thus it is supposed that the head would have been to the west. There were no artifacts directly associated with this burial.

Burial 188 did not overlap with any other burials. It may have been part of a north-south row that included Burials 125 and 162, also disturbed by the stone foundation. Because this burial lay north of the fence line, it has been assigned to the Late Group.



Burial No. 188 (drawn by E. S. on 2/13/92; Drawing No. 413).

Burial 189

Series 11

Catalog No. 1015

Datum point: 38

Grid coordinates: S 95.5, E 66

Elevation of highest skeletal remains: 3.42 feet AMSL

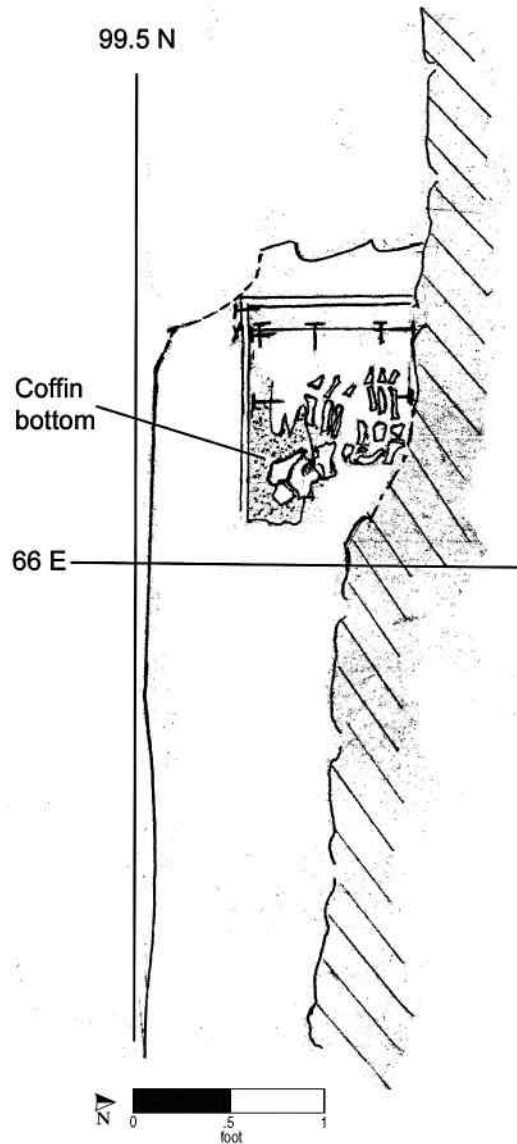
Temporal group: Middle

Burial 189 was represented only by the eastern end of a coffin and the foot bones of an adult of undetermined age and sex. The grave was located adjacent to a nineteenth-century foundation wall that ran along the south side of the former Republican Alley, which had obliterated most of the burial during its construction. The grave fill was described as mottled soil.

The surviving eastern end of the coffin was first encountered at an elevation of 3.75 feet, and its bottom elevation was at 3.29 feet. Because so little of the coffin remained, its shape could not be determined; however, the presence of foot bones in the eastern end implied that the individual was interred with the head to the west. A sample of the coffin wood was identified as cedar. Artifacts associated with this burial included nails around the perimeter of the surviving portion of the coffin and a single copper-alloy straight pin from under the left foot.

Excavators noted that the grave shaft for Burial 189 had been cut into by Burial 105 to the west; however, given the disturbed condition of Burial 189, this sequence cannot be considered definitive. Archaeologists excavated Burial 105 1 month prior to Burial 189 and made no mention of the latter's grave-shaft outline. The surviving eastern end of Burial 170, which held the partial remains of a

child between 7 and 11 years of age, lay directly over the eastern end of Burial 189. Based on these stratigraphic relationships and absent any evidence to place it otherwise, Burial 189 has been assigned to the Middle Group.



Burial No. 189 (drawn by L. C. on 2/12/92; Drawing No. 407).

Burial 190

Catalog No. 1017

Datum point: 62

Grid coordinates: S 55, E 100.5

Elevation of cranium: 0.57 feet AMSL

Temporal group: Late

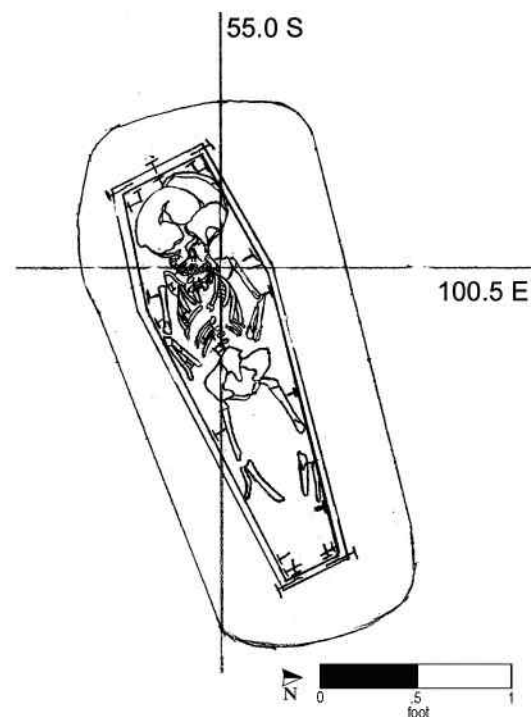
Burial 190 held the remains of an infant between 3 and 10 months old. The grave was located in the northern part of the excavated site, at the western edge of Lot 16. Soil in the grave shaft was described as pebbly yellow and gray mottled silt; there was charcoal and organic material (possibly deteriorated bone) throughout the fill. Artifacts recovered from the fill included sherds of salt-glazed stoneware and kiln furniture, brick fragments, a sherd of bottle glass or high-quality leaded glass, oyster shell, and animal bone. Field notes indicate that unlike the adjacent Burial 171, no slate fragments were found within the grave fill, implying that Burial 190 predated the deposition of slate in the overlying surface midden and thus predated Burial 171. A posthole, designated as Feature 81, was recorded cutting into the south edge of the grave shaft of Burial 190. This posthole was not recorded except in the opening plan for the burial.

The west end of the hexagonal coffin lid was exposed at an elevation of 0.7 feet. Nails were recorded in situ on all sides and corners of the coffin, but no wood samples were taken. The highest elevation for this child's skeletal remains was at the cranium at 0.57 feet; the lowest point was at the left ischium at 0.32 feet. He or she was buried in supine position, with head to the west and legs and arms extended but slightly flexed. The bones of the hands and feet had deteriorated or had been scattered and were not recovered by excavators, but the position of the arm bones indicates that the child's hands probably had been laid over the waist or pelvis. The bones were poorly preserved, and thoracic and cervical vertebrae were missing.

Field drawings note the locations of nine copper-alloy straight pins in this burial. Not all could be recovered intact because they had fused to bone. The field drawing shows four pins on the clavicles, four extending down the right ribs, and one between the right radius and ulna. An additional pin fragment was collected from the soil sample taken

from above the coffin lid. Excavators noted a small piece of quartzite at the left knee, but this item could not be irrefutably associated with the burial; it may have been in the grave-fill matrix. The field notes indicate that the stone was bagged with fill material, but it was not present in the laboratory when the Howard University team inventoried the collection.

The grave of Burial 190 was adjacent to and aligned with (although not quite parallel to) the grave of another child, Burial 173, which lay at a similar elevation. Burial 190 was just south of the adult Burial 171, in an apparent north-south row with Burials 209, 179, 180, and 205 (adults of both sexes and a variety of ages) and possibly Burials 192 and 193 to the south. The two children's graves appear to have been placed deliberately between those of adults. The burials in this possible row had similar orientations and were fairly evenly spaced. Because construction destroyed burials farther to the south, it could not be determined whether the row continued southward. Based on its location north of the fence that presumably once marked the northern boundary of the cemetery, Burial 190 has been designated a Late Group burial.



Burial No. 190 (drawn by W. Williams on 2/17/92; Drawing No. 436).

Burial 191

Catalog No. 1081

Datum point: 61

Grid coordinates: S 56.5, E 87

Elevation of cranium: 1.83 feet AMSL

Temporal group: Late

Burial 191 was of man between 25 and 30 years old. The grave-shaft outline was distinct, ovoid at the head end and squared at the foot. The fill of the grave shaft was described as yellowish brown silt with common small mottles of reddish sand. Field notes indicated that, in general, the first half foot of grave fill was extremely hard and compact, but eventually the soil became less difficult to excavate. A sherd of delft, a nail, and fragments of olive-green bottle glass were found in the grave fill. No coffin wood or stain was noted.

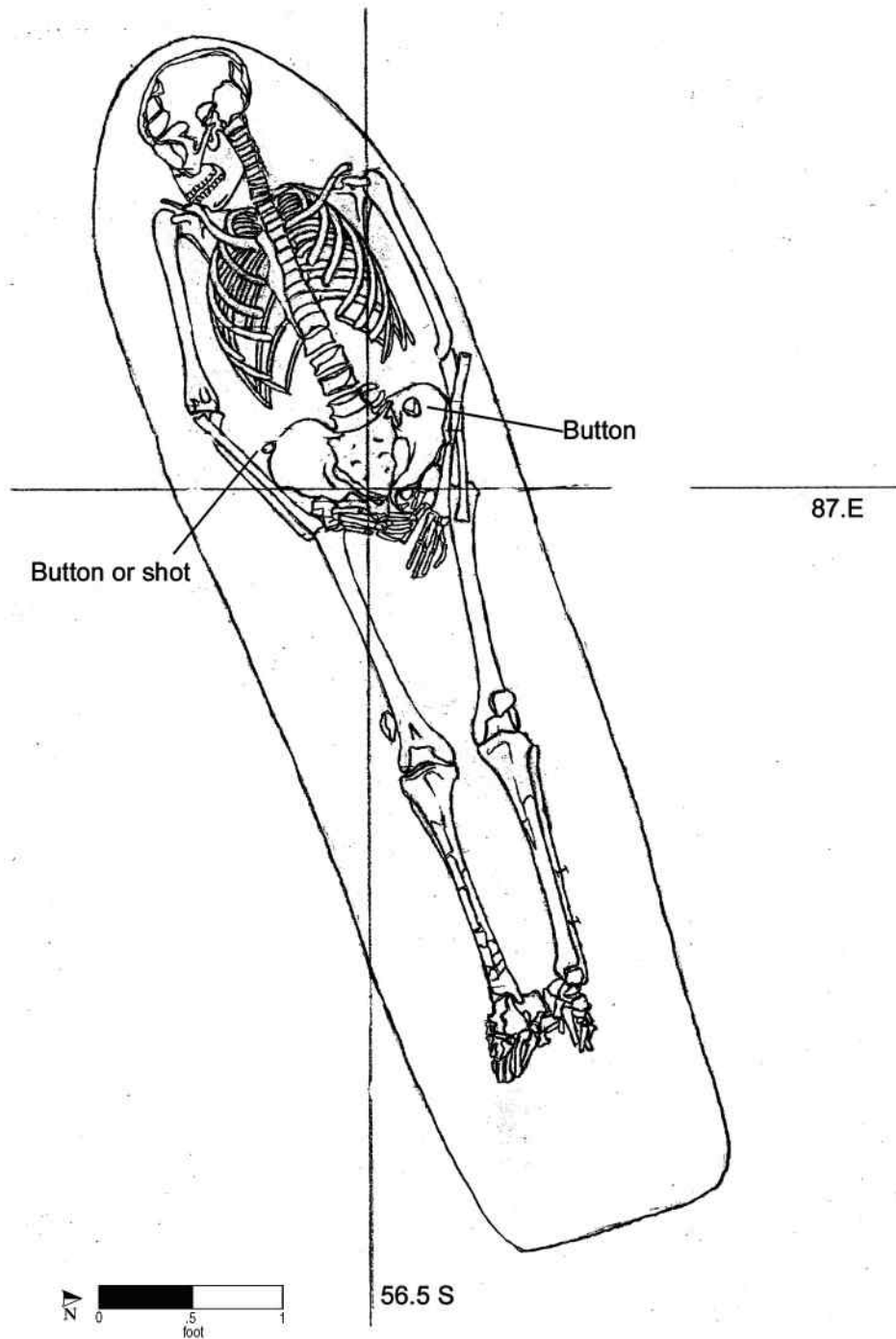
The deceased had been buried without a coffin, with the head to the west. He was in the supine position with hands resting on his pelvis. The skeletal remains were in poor to fairly good condition. Two straight pins were recorded in situ on the left lower leg. Excavators recovered a button mass from the left ilium and a possible wooden button above the right ilium; however, after examination in the

laboratory, only one copper button was identified—this was the item from the left ilium. It was 17 mm in diameter and cast in one piece with an applied loop shank. A piece of lead shot was also identified in the laboratory, but it is not mentioned in the field notes, and its provenience is unclear. The artifact originally identified as a wooden button during excavation may have actually been the lead shot, because no wooden button was identified in the laboratory. The lead shot was not recovered after the collapse of the World Trade Center on September 11, 2001.

Burial 191 was located in Lot 15 and may have been part of a row of burials that included Burials 194, 174, and 158. All of these graves were of males, ranging in age from late teens to thirties. Because of the location north of the former boundary fence, Burial 191, like all of the burials in this row, has been assigned to the Late Group.



Burial 191 (cont.)



Burial No. 191 (drawn by W. Williams on 3/2/92; Drawing No. 470).

Burial 192

Catalog No. 1088

Datum point: 52A

Grid coordinates: S 67, E 101.5

Elevation of cranium: 2.61 feet AMSL

Temporal group: Late

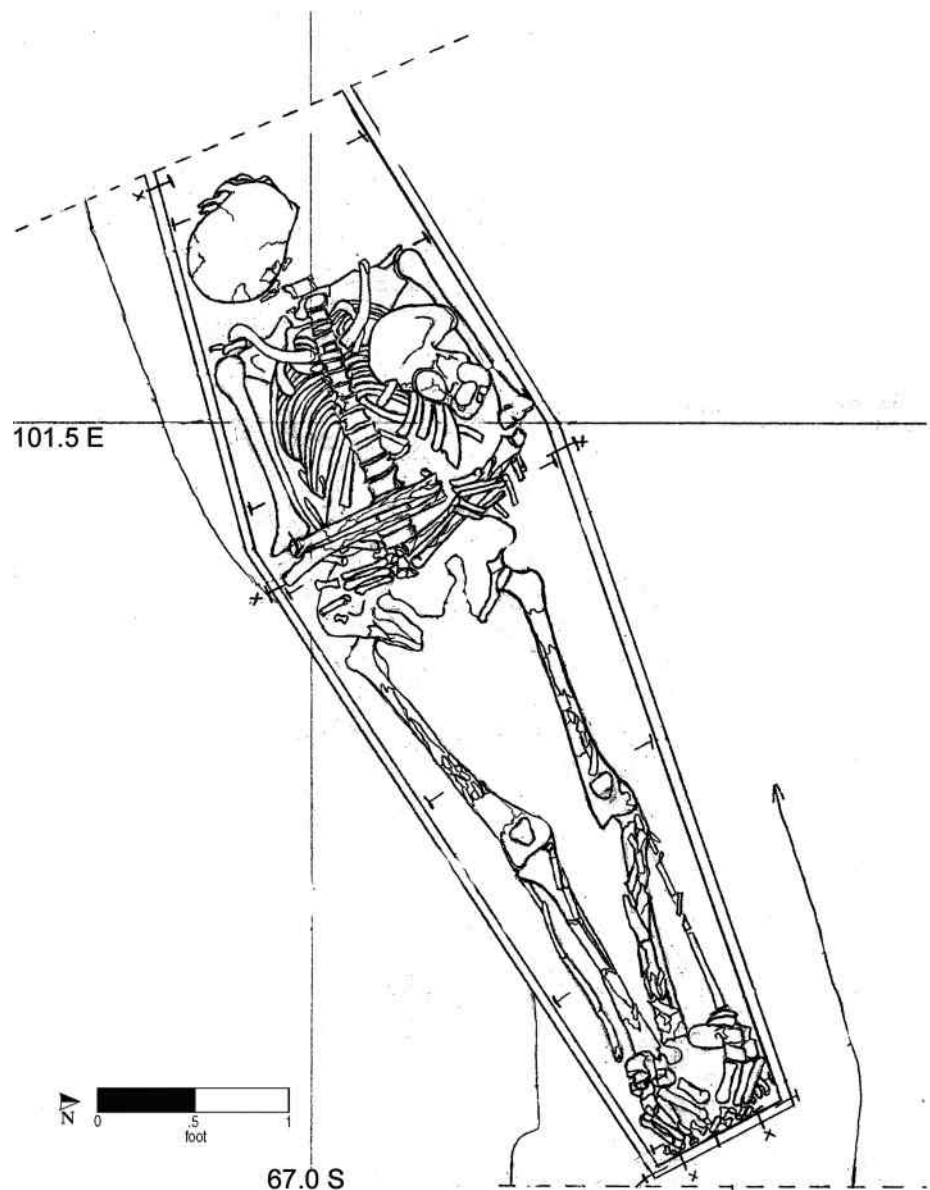
Burial 192 was of a woman between 40 and 60 years of age. The grave was located in the rear part of Lots 15 and 16, along the north side of the projected line of the fence that once marked the northern boundary of the cemetery. The associated soil was described as silty clay mottled with a small amount of sand. The western end of the coffin was truncated by Feature 77, a wood-lined privy from the later development of Lot 15. The eastern end of the grave shaft was within an excavation unit for Feature 79, a wood-lined pit in the rear part of Lot 16. The grave fill was designated as Stratum IV within that excavation. Numerous skeletal elements from the underlying Burial 193 were found in the grave-shaft fill of Burial 192.

The coffin lid was first encountered at an elevation of 2.84 feet, recorded along the northern edge. The bottom was reached at 2.15 feet, measured at the coffin footboard. A portion of the lid was disturbed during pre-exca- vation clearing. It was hexagonal in shape, and nails were recorded in situ at the perimeter, including three vertical nails that attached the lid to the footboard.

The woman was in the supine position, with her head to the west and with her arms crossed over her abdomen in a cradling position. The bone was in poor condition, but the skeletal remains were nearly complete. The cranium was displaced by

Feature 77, and the mandible was missing. One straight pin was recorded on the woman's central thoracic vertebrae, but it was apparently not recovered. An additional pin was found in the cranial pedestal during laboratory cleaning of the remains.

Burial 192 truncated Burial 193, disturbing the entire right side of the skeleton, and the bones were redeposited in Burial 192's later grave shaft. The woman in Burial 192 was interred after the remains in Burial 193 had decomposed, however, a probable interval of at least 2–3 years. Both burials were assigned to the Late Group, based on their location north of the fence line.



Burial No. 192 (drawn by W. Williams on 2/23/92; Drawing No. 449).

Burial 193

Catalog No. 1089

Datum point: 52A

Grid coordinates: S 65.5, E 101.5

Elevation of cranium: 2.83 feet AMSL

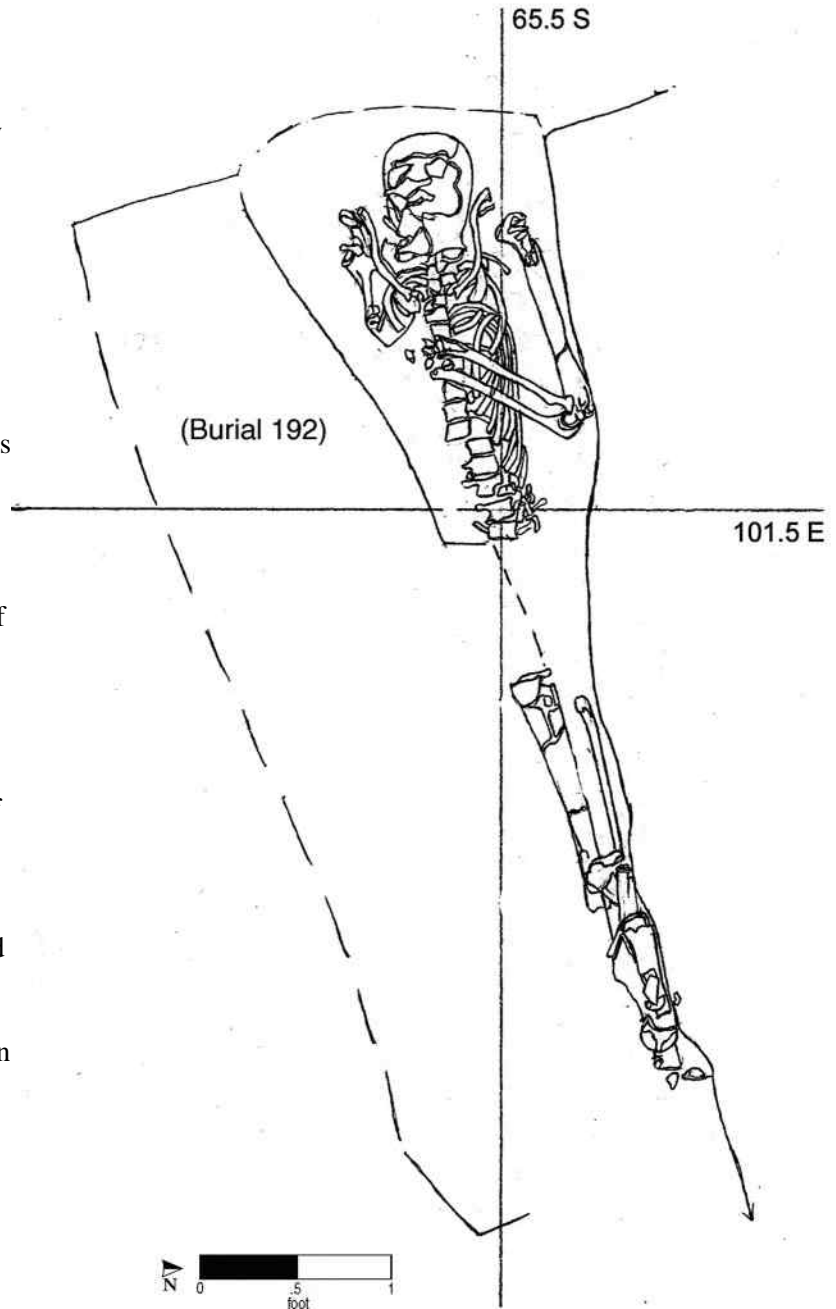
Temporal group: Late

Burial 193 contained the remains of a man between 30 and 48 years of age. The grave was located in the rear part of Lots 15 and 16, along or immediately to the north of the projected line of the fence that once marked the northern boundary of the cemetery. The shaft outline was only visible along the north side. The grave fill was described as silty clay, mottled with large patches of reddish sand. Burial 192 had truncated the entire south (right) side of the burial, and portions of the man's remains were found in the grave fill overlying Burial 192. The western portion of the grave had been truncated by Feature 77, a wood-lined privy from the later development of the lot. The eastern portion of the grave cut was not visible, possibly obscured by another wood-lined pit, Feature 79 at the rear of Lot 16.

There was no coffin. Skeletal remains were first encountered at an elevation of 3.01 feet, and the lowest recorded skeletal elevation was 2.34 feet. The man was interred in the supine position with his head to the west, his left arm crossed over his chest. The right arm was not in place. Skeletal remains were in poor condition. No artifacts were recovered in association with this burial.

As noted, Burial 192 truncated Burial 193, disturbing the entire right side of the skeleton, and the bones were redeposited in the later burial's grave

shaft. The woman in Burial 192 was interred after the remains in Burial 193 had decomposed, a probable interval of at least 2–3 years. Both burials were assigned to the Late Group, based on their location north of the former fence line.



Burial No. 193 (drawn by M. Schur on 2/29/92; Drawing No. 461).

Burial 194

Catalog No. 1109

Datum point: 68

Grid coordinates: S 51, E 85

Elevation of cranium: 0.95 feet AMSL

Temporal group: Late

Burial 194 was of a man between 30 and 40 years old. The fill in the grave shaft was described as mottled, gravelly sand, with sherds of stoneware, slipware, and redware. Excavators collected 28 bone fragments from unidentified large mammal(s), a single metatarsal from a sheep, and a whole lower oyster shell.

A separate cedar board was found at the head of the coffin. It was positioned with the grain running vertically and fastened to the coffin headboard with five nails. This grave marker originally would have extended above the ground surface.

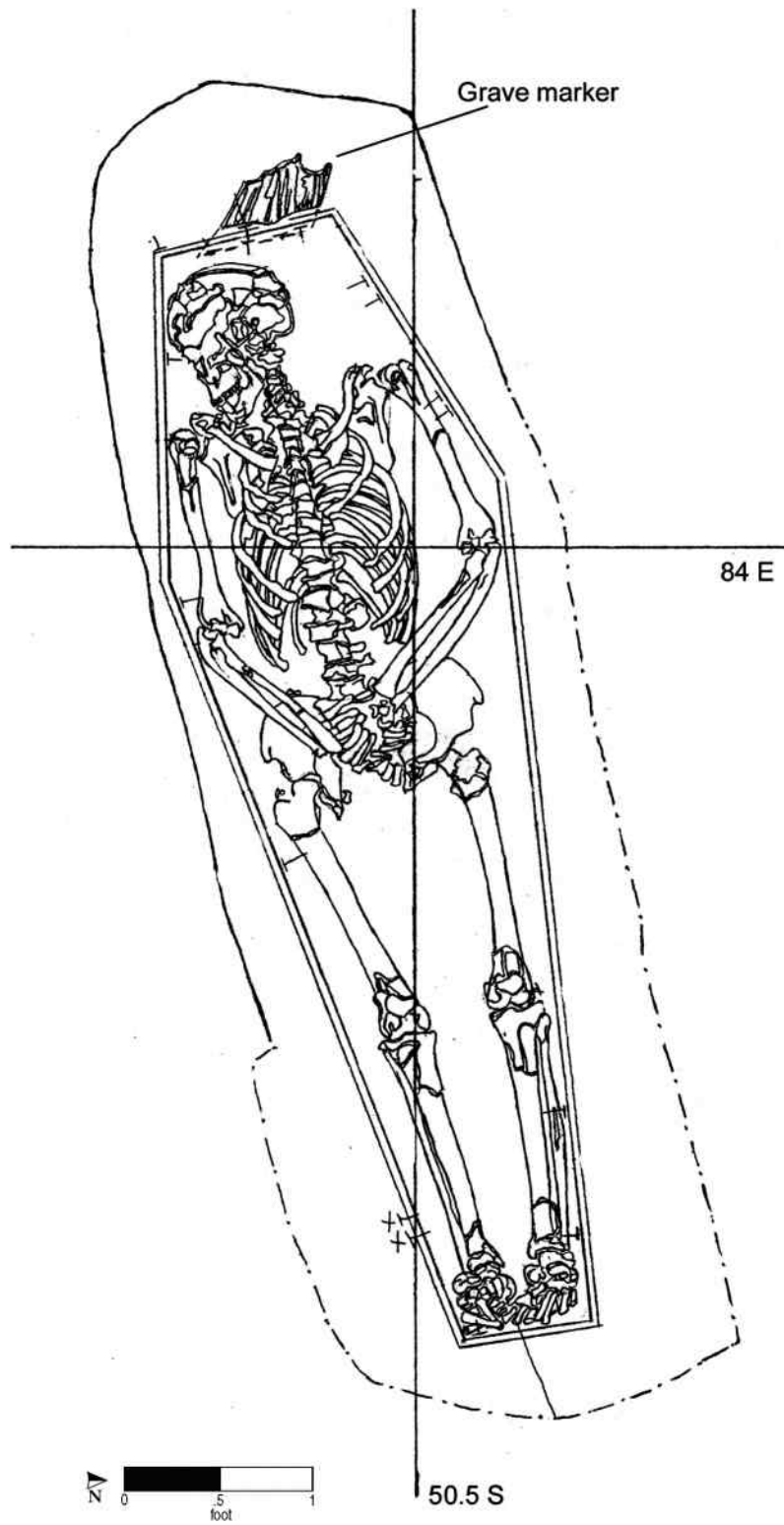
The coffin itself was hexagonal in shape. Excavators noted that the wood was well preserved and attributed this to well-drained soil in this area. Samples of wood were obtained from several locations, including a 2-foot-long strip from the coffin bottom. A species analysis of a sample from an

unspecified location revealed that at least part of the coffin was made of cedar. Numerous nail fragments were observed and collected from all sides of the coffin.

The man had been laid out in supine position with his head to the west. His legs were extended, his head was turned to the right, and his arms were along his sides. His hands appear to have been placed, left over right, on his pelvis. Although much of the skeleton was broken, the bones had preserved fairly well, and all were apparently present. His two central incisors had been filed. Burial artifacts included a single copper-alloy button shank, found near the head of the right femur. An organic fragment, possibly a leather button cover, was associated with the shank. Three seed fragments were also recovered from the area of his thoracic vertebrae. No straight pins were noted or collected from this burial.

Burial 194 was located in Lot 15 and may have been part of a row of burials that included Burials 191, 174, and 158. All of these graves were of adult males, ranging in age from late teens to thirties. Because of the location north of the former boundary fence, Burial 194, like all of the burials in this row, has been assigned to the Late Group.

Burial 194 (cont.)



Burial No. 194 (drawn by M. Schur on 3/8/92; Drawing No. 490).

Burial 195

Series 15A

Catalog Nos. 1151 and 1292

Datum point: 80

Grid coordinates: S 81.5, E 63

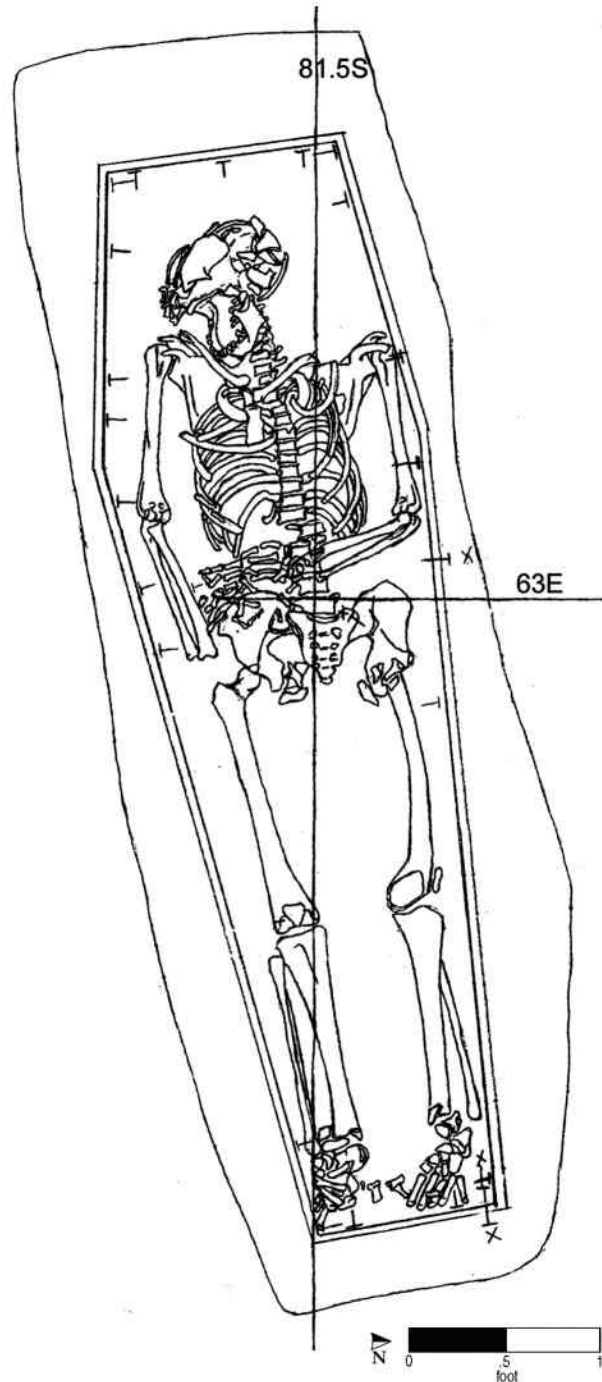
Elevations cannot be determined for Burial 195 because of an apparent error in vertical recordation.

Temporal group: Late

Burial 195 yielded the remains of a woman between 30 and 40 years of age. The grave-cut outline was visible on all sides; the grave-shaft fill was described as mottled sand and clay silt. Excavators noted that the Burial 195 coffin appeared to be slumping into a lower burial (Burial 285) to the north. Next to the left leg, in the north side of the coffin, excavators noted an area of soil that appeared to be from water deposition. The soil consisted of sand at the base overlain with dark silty sand and yellow silt. A wood fragment, interpreted as a collapsed lid plank, lay on the left side of the skeleton. A sample of coffin wood from an unspecified location was identified as cedar.

The woman was interred in a hexagonal coffin in the supine position. Her head was to the west, with her left arm crossed over her pelvis and her right arm at her side. Excavators recorded a copper-alloy pin stain on the right distal tibia. Several coffin nail fragments were excavated after the skeleton was removed; these nails were assigned Catalog No. 1292 in the laboratory.

It is clear from field drawings and excavation records that Burial 195 overlay the south edge of Burial 285, a Middle Group burial. Based on burial drawings, the grave shaft also appears to have overlain the northwest corner of Burial 253. Based on its stratigraphic position, Burial 195 is assigned to the Late Group.



Burial No. 195 (drawn by M. Schur on 2/22/92; Drawing No. 446).

Burial 196

Series 23B

Catalog No. 1150

Datum point: 71

Grid coordinates: S 83, E 56

Elevation of cranium: 3.70 feet AMSL

Temporal group: Late

Burial 196 contained the remains of an adult between 20 and 24 years of age, of undetermined sex. The western end of the grave shaft and coffin had been disturbed, and the skeletal elements from the upper body were displaced. However, all elements were present within the eastern part of the coffin. The femurs were displaced to the east as well and lay partially alongside the tibiae and fibulae. Grave-shaft soil was described as stony, mottled clayey silt, and the soil underlying the coffin was red sand. The highest elevation recorded for the well-preserved coffin lid was 4.35 feet. A clam shell was recovered from approximately 1 inch above the lid, but it is thought to have been from the soil matrix.

A small pile of nails was found within the north edge of the grave alongside the coffin, near its top. During excavation of the underlying Burial 212, another collection of nails was removed from the corresponding area beneath the coffin of Burial 196. Coffin lid nails were found in situ only at the two

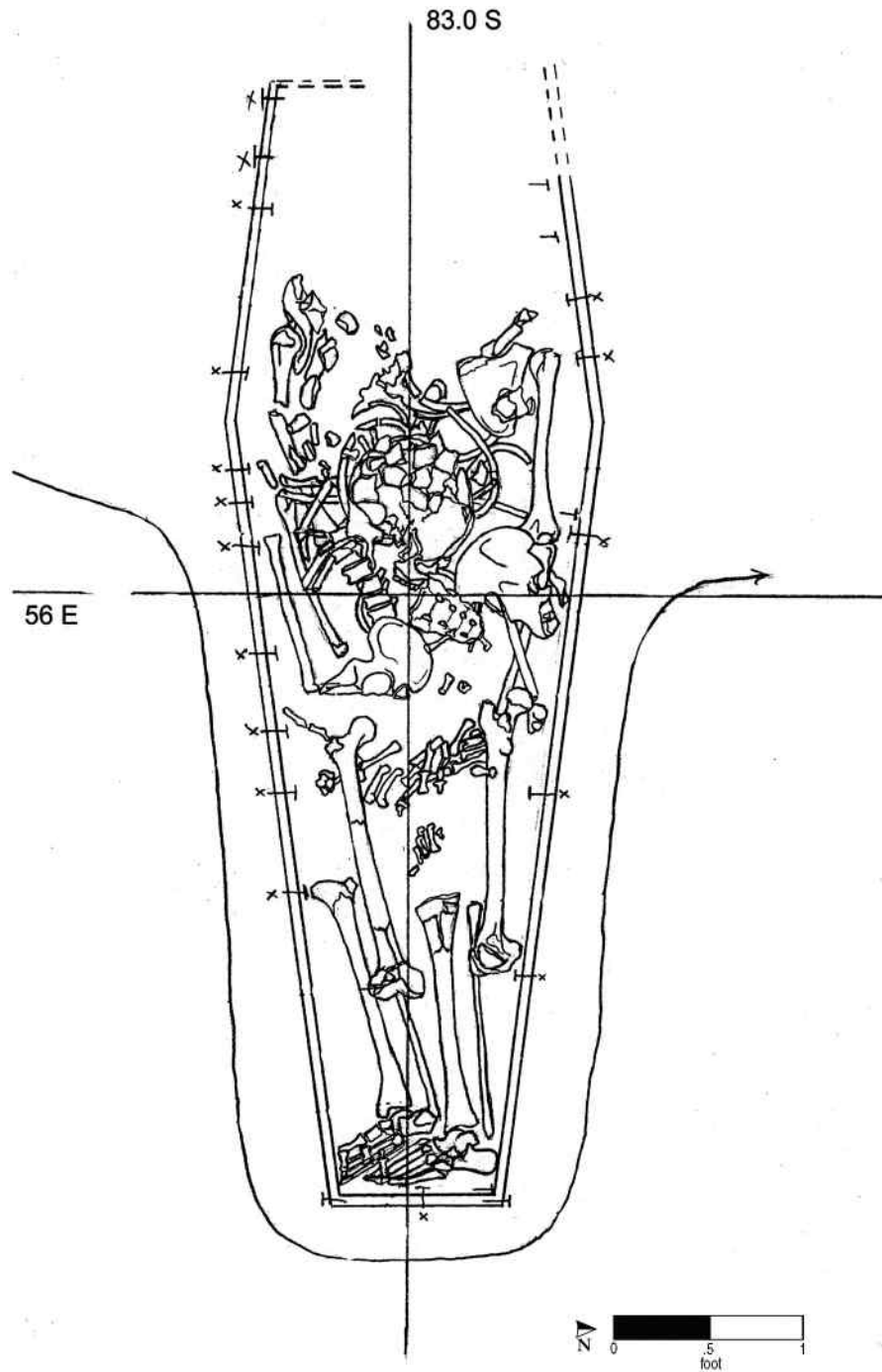
foot corners; the other top nails appear to have been removed. It is possible that the coffin was opened and the lid replaced without the nails, which could also explain the displacement of the skeletal elements. The coffin may have been tipped on end some time after decomposition, causing the bones to shift toward the foot. However, perimortem dismemberment at the knees cannot be ruled out.

The coffin bottom, at an elevation of 3.70 feet, was of unusual construction. Instead of lengthwise boards, numerous short crosswise boards had been used, and these were nailed from the bottom into the coffin sides. The lid and bottom were identified as pine, the sides as cedar. The coffin was hexagonal in shape, and the deceased had been laid with the head to the west. The cranium was resting on the chest and was crushed. Other skeletal remains, as noted, were also displaced, although otherwise in good condition. Some cranial fragments were noted within the disturbed soil at the west end of the coffin, but it is not known if these were from Burial 196. One straight pin was recovered from the sacrum; it may have been displaced from its original position.

Burial 196 lay directly above Burial 212 and appears to have disturbed the lower burial. Because of its overall stratigraphic position, Burial 196 has been assigned to the Late Group.

(continued on page 266)

Burial 196 (cont.)



Burial No. 196 (drawn by W. Williams on 2/24/92; Drawing No. 453).

Burial 197

Series 17

Catalog No. 1152

Datum point: 78

Grid coordinates: S 76, E 57.5

Elevation of cranium: 4.02 feet AMSL

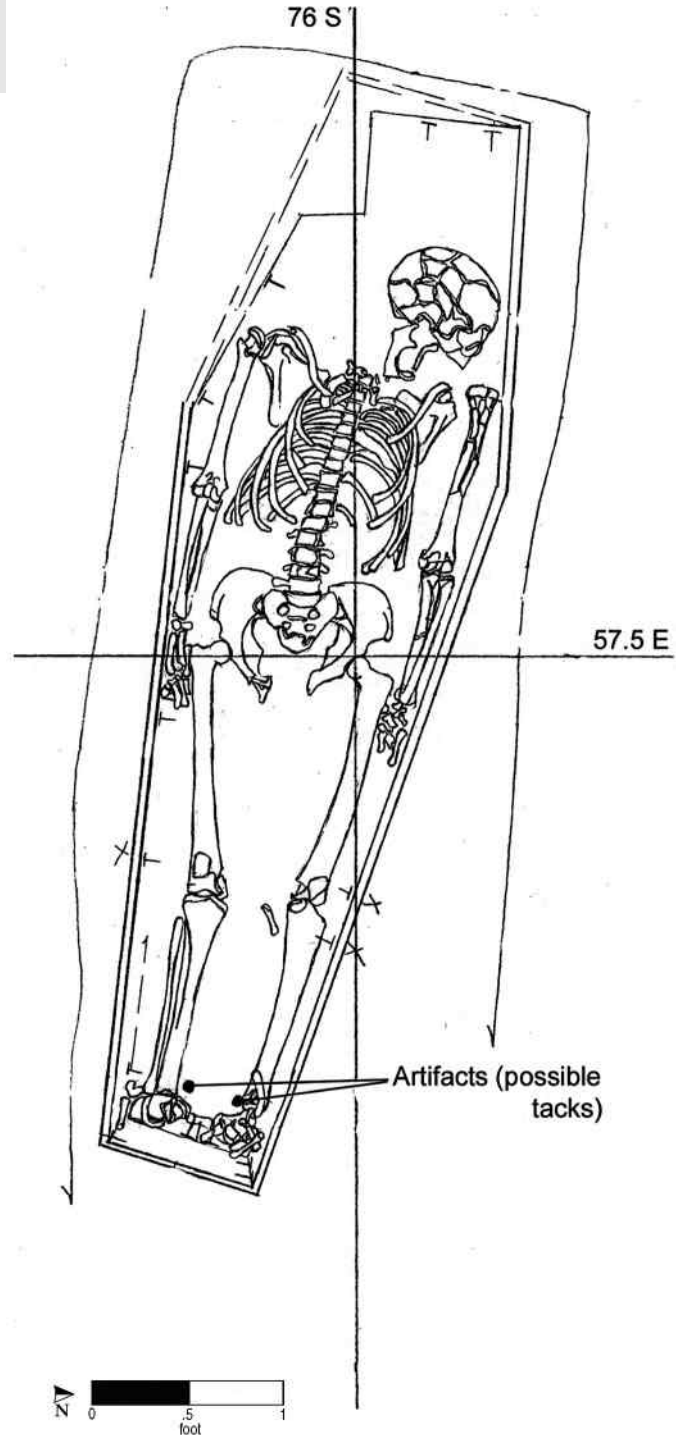
Temporal group: Late

Burial 197 was of a woman between 45 and 55 years of age. The grave-shaft fill consisted of wet, sandy clay, and the grave cut was apparent on all sides at an average elevation of 4.22 feet. The grave cut appeared rectangular, with a disturbance in the southwest corner. The grave-shaft fill contained three sherds of salt-glazed stoneware, a clam, and an oyster shell fragment.

The woman's hexagonal coffin lid was first encountered at an elevation of 4.02 feet. It was positioned diagonally within the grave pit, with the head of the coffin in the northwest corner. The grave shaft appeared to be oversized, extending eastward of the coffin. The southwest corner of the coffin lid was missing. The coffin bottom was recorded at an elevation of 3.42 feet on the east end. The disturbance in the southwest corner continued through to the bottom. Nails were recorded in situ around the perimeter of the surviving portion of the coffin.

The woman had been placed in the supine position, with her head to the west and her arms resting at her sides. The field drawing indicates two small round iron objects, labeled as Artifact A and Artifact B, located at the woman's ankles. Three iron objects were cataloged in the laboratory as possible tack fragments. They were set aside to be X-rayed but were not salvaged after the destruction of the World Trade Center on September 11, 2001.

Burial 197 overlay the west end of the grave shaft of Burial 310, of a woman between 44 and 52 years old. Because of its overall stratigraphic position, Burial 197 is placed with the Late Group.



Burial No. 197 (drawn by M. Schur on 2/26/92; Drawing No. 458).

Burial 198

Series 11B

Catalog No. 1155

Datum point: 74

Grid coordinates: S 86.5, E 80

Elevation of cranium: 3.61 feet AMSL

Temporal group: Late-Middle

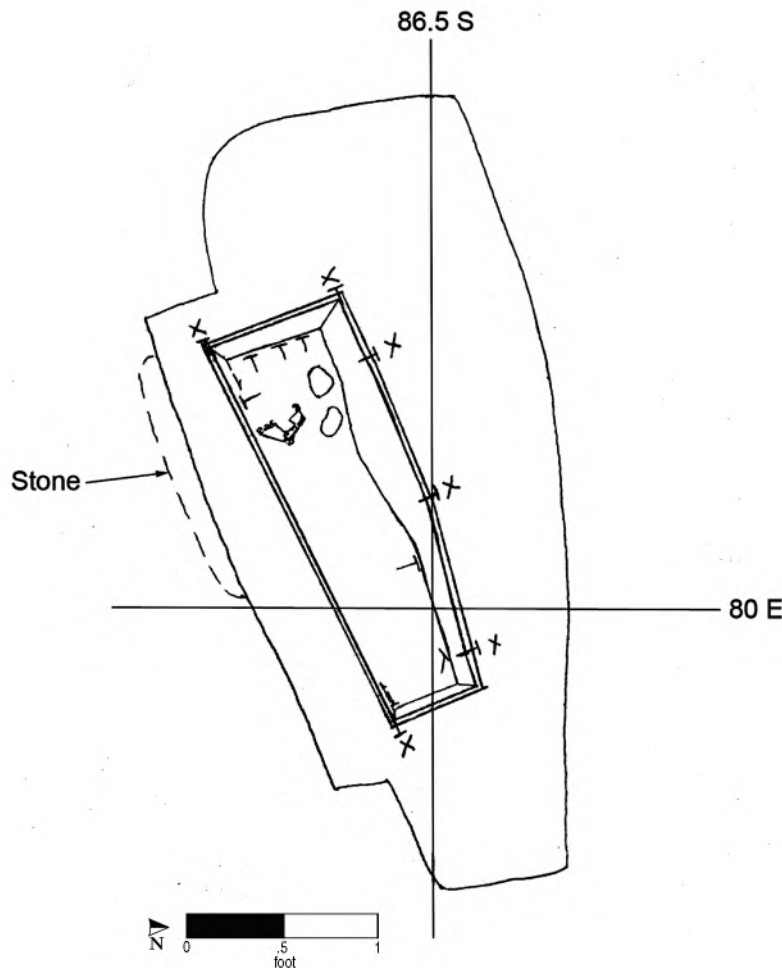
Burial 198 yielded the remains of a subadult of undetermined age. The grave shaft was filled with silty sands with clay deposits and pebbles. The grave outline appeared large for the coffin itself, extending to the north.

The child's coffin lid was first encountered at an elevation of 3.98 feet in the northwest corner. Excavators noticed that the southern side had collapsed into the coffin, possibly caused by a large stone from an overlying nineteenth-century foundation

wall. Excavators also noticed a possible charcoal deposit at the west end of the stone. The coffin bottom was reached at an elevation of 3.60 feet in the western section.

The coffin was four sided, and the child was buried with the head to the west. The remains were in extremely poor condition; the skull was crushed and the postcranial remains were thoroughly eroded and crushed.

Burial 198 lay immediately to the north of Burial 261, an Early Group burial, and Burials 126 and 143. According to the excavators, the grave shaft appeared to have cut into the grave shaft of Burials 126 and 143. Burial 198 lay immediately south/southeast of Burial 258, and it appears that the grave shaft for Burial 198 also cut into the upper part of the Burial 258 grave shaft. Based on these stratigraphic relationships, Burial 198 has been assigned to the Late-Middle Group.



Burial No. 198 (drawn by M. Schur on 2/28/92; Drawing No. 460).

Burial 199

Series 15B

Catalog No. 1160

Datum point: 81

Grid coordinates: S 73.5, E 80

Elevation of cranium: 3.39 feet AMSL

Temporal group: Late

Burial 199 yielded the remains of a woman between 30 and 40 years old. A plan view drawn prior to the excavation labeled the soil within the grave outline as dark brown sandy silt clay, mottled with light yellowish brown clay. The southwest corner of the grave cut was overlain or disturbed by a twentieth-century deposit of reddish sand with brick and wood. Two nail fragments were recovered from the grave fill.

Extraneous leg bones were found in the grave fill, one near the left foot and two others near the left hip; these apparently belonged to Burial 200, which lay beneath and had been truncated by Burial 199. The nail fragments recovered from the Burial 199 grave fill may have been from the coffin of Burial 200. Analysis revealed that bones of an infant under 6 months of age were also present in this grave.

The woman had been interred without a coffin. The highest skeletal elevation recorded was 3.39 feet at the cranium, and the lowest was 2.73 feet beneath the lower legs at the eastern end. She had

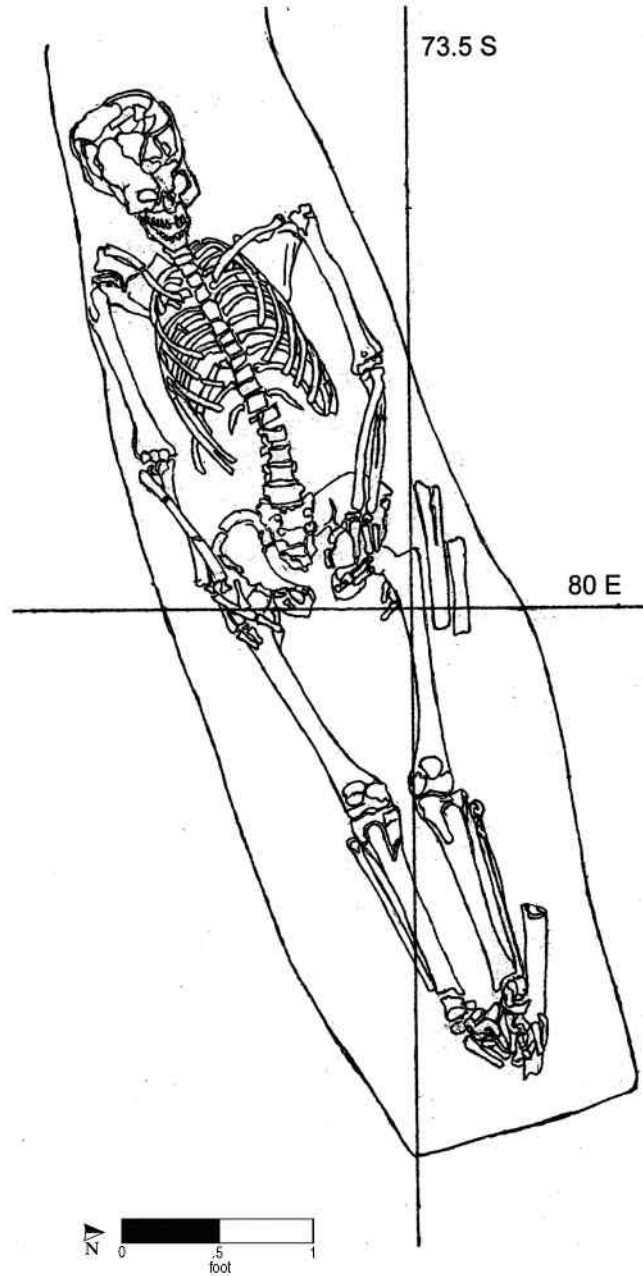
been placed in the supine position, with the head to the west and her hands resting over the pelvis. Although field notes mention no artifacts in direct association with the skeletal remains, several straight-pin fragments were recovered and brought to the laboratory. They were reburied with the skeletal remains.

After excavators had removed and boxed post-cranial portions of Burial 199, the box containing the remains was looted and damaged. Damage appeared to be limited to the bags containing the right rib fragments and lumbar vertebrae, although excavators noted the possibility that other bones had been crushed. The portion of the burial still in situ was undisturbed.

It is clear that during the interment of Burial 199, a portion of Burial 200 was displaced. Therefore, it is surmised that some period of time had passed between burials, or at least that those who prepared the Burial 199 grave had no knowledge of, or relation to, the man represented by Burial 200. Burial 199 may have been within a row of coffinless burials. This row included Burials 150 and 223, which were of women aged in their twenties or early thirties, and Burial 211, which was of a probable man. The row spans the line of post-holes marking a fence that once crossed the site. Burial 199, along with the rest of the burials in this row, has been assigned to the Late Group.

(continued on page 270)

Burial 199 (cont.)



Burial No. 199 (drawn by M. Schur on 3/4/92; Drawing No. 482).

Burial 200

Series 15B

Catalog No. 1165

Datum point: 82

Grid coordinates: S 75.5, E 77

Elevation of cranium: 3.57 feet AMSL

Temporal group: Early

Burial 200 held the remains of a man of undetermined age. Burial 199 had truncated the northeastern portion of this burial. The site plan drawn prior to excavation indicated that a faint grave cut was apparent along the north and south, filled with dark brown sandy silt clay, mottled with light yellow-brown clay, and red sand overlying the coffin lid. The area to the south of the grave cut consisted of reddish brown sand mottled with tan sand. A twentieth-century deposit of reddish sand with brick and wood was noted along the southern grave cut. No artifacts were recovered from the grave-shaft fill, but a few jimsonweed seeds were recovered from soil samples in the coffin lid and stomach area.

The man's four-sided coffin lid was at an elevation of 4.09 feet, based on a coffin nail recorded in the northwest corner. The bottom was reached at an elevation of 3.13 feet, based on coffin nails in the

southeast corner. Nails were recorded in situ around the perimeter; apparently the top nails had been driven vertically to attach the lid to the sides, and the bottom nails had been driven horizontally. Analysis of a wood sample from an unspecified location revealed that the coffin had been constructed at least partially of cedar. The man had been laid in supine position with his head to the west. His arms appeared to have been placed over his pelvis.

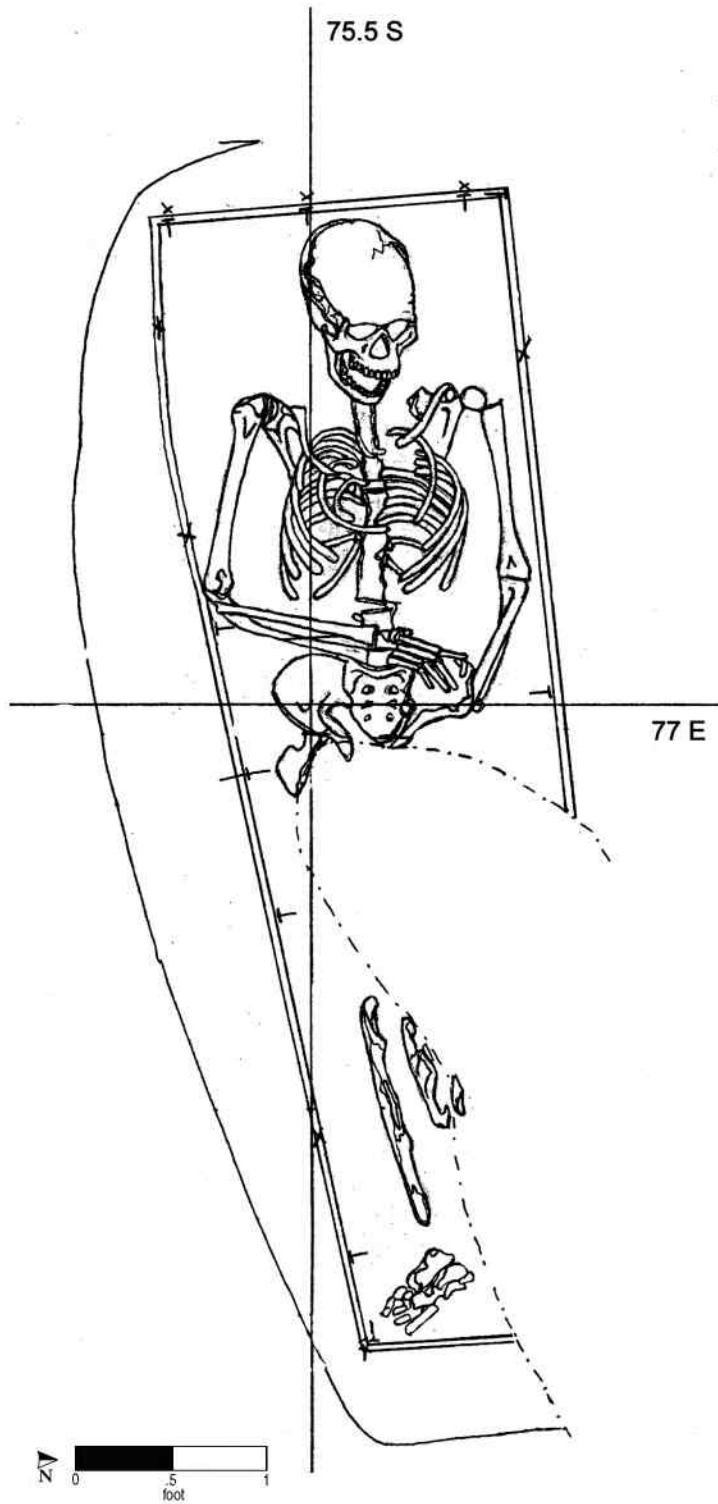
Because of displacement by Burial 199, the man's lower extremities were missing below his pelvis, except for portions of his fibulae and right foot. Extraneous long bones found in the grave fill of Burial 199 appeared to have been from Burial 200.

Burial 200 was truncated by and thus predates Burial 199. The northwestern portion of the grave shaft of Burial 200 was overlain by the grave shared by Burials 145 and 146. The grave shaft of Burial 211, a coffinless adult assigned to the Late Group, abutted the southern edge of the grave shaft of Burial 200.

Based on the coffin shape and the stratigraphic relationship to other burials, Burial 200 has been assigned to the Early Group.

(continued on page 272)

Burial 200 (cont.)



Burial No. 200 (drawn by W. Williams on 3/16/92; Drawing No. 521).

Burial 201

Catalog No. 1168

Datum point: 43

Grid coordinates: S 59.5, E 70.5

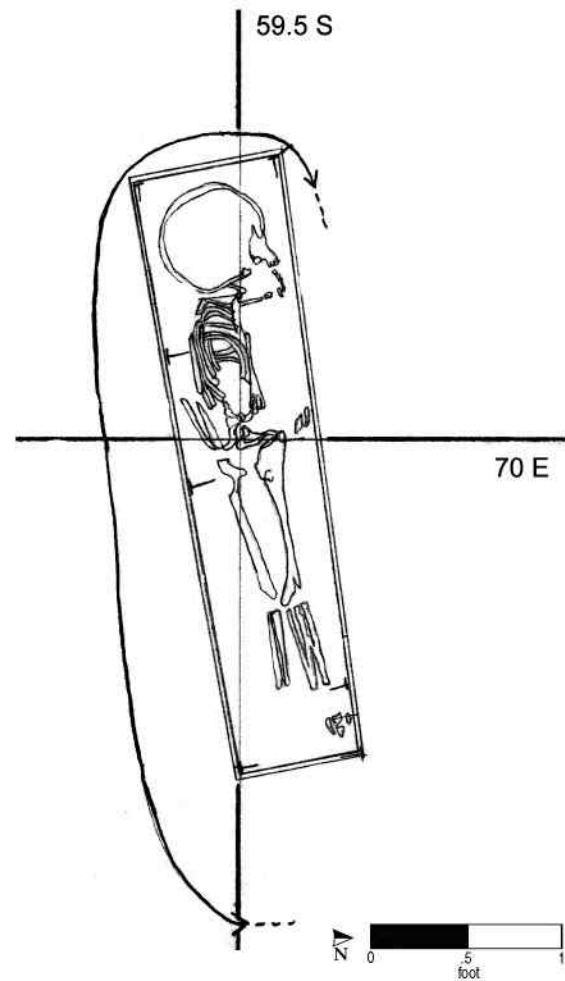
Elevation of cranium: 3.25 feet AMSL

Temporal group: Late

Burial 201 held the remains of a child between 1.5 and 3.5 years old. The grave was located in the northern part of the cemetery in Lot 14. The mottled grave fill held only a tobacco pipe-stem fragment. The small rectangular coffin lid was encountered at an elevation of 3.56 feet. Nails were recorded at the corners and the sides. The child was buried supine with his or her head to the west and turned to the left. The skeletal remains were in very poor condition, crushed, and eroded, and the long bones were flattened. Several parts of the skeleton had deteriorated to nothing.

Three fragments of copper-alloy straight pins were recovered, including one found during laboratory cleaning of the frontal bone and maxilla. These pins and the coffin remains were the only artifacts directly associated with Burial 201.

Burial 201 appeared to be isolated from other burials; however, the surrounding area was heavily disturbed, and it is likely that nearby graves had been destroyed. Because of its location north of the fence that once bounded the cemetery, Burial 201 has been designated a Late Group burial.



Burial No. 201 (drawn by W. Williams on 3/9/92; Drawing No. 495).

Burial 202

Series 11

Catalog No. 1171

Datum point: 73

Grid coordinates: S 85.5, E 70

Elevation of cranium: 3.40 feet AMSL

Temporal group: Early

Burial 202 was of an adolescent, likely female, between 12 and 18 years of age. The grave lay immediately beneath and within the same grave shaft as Burial 121, and the two coffins were aligned. The grave-shaft fill was recorded as mottled strong brown sand, gray-brown silty clay, and dark yellow-brown sandy clay. Excavators initially had a difficult time distinguishing the grave-shaft outline because of the balk left during excavation of Burial 119 to the south.

The coffin lid was first encountered at an elevation of 4.08 feet, and the bottom was reached at 3.03 feet. It was four sided in shape and tapered toward the foot. A wood sample from an unspecified location was identified as white spruce. Nails were recorded in situ around the perimeter. The deceased had been placed in the supine position, with her head to the west, her arms at her sides, and hands over her pelvis. An iron object was found to the north of the coffin and labeled in the field as a possible coffin handle. However, its provenience

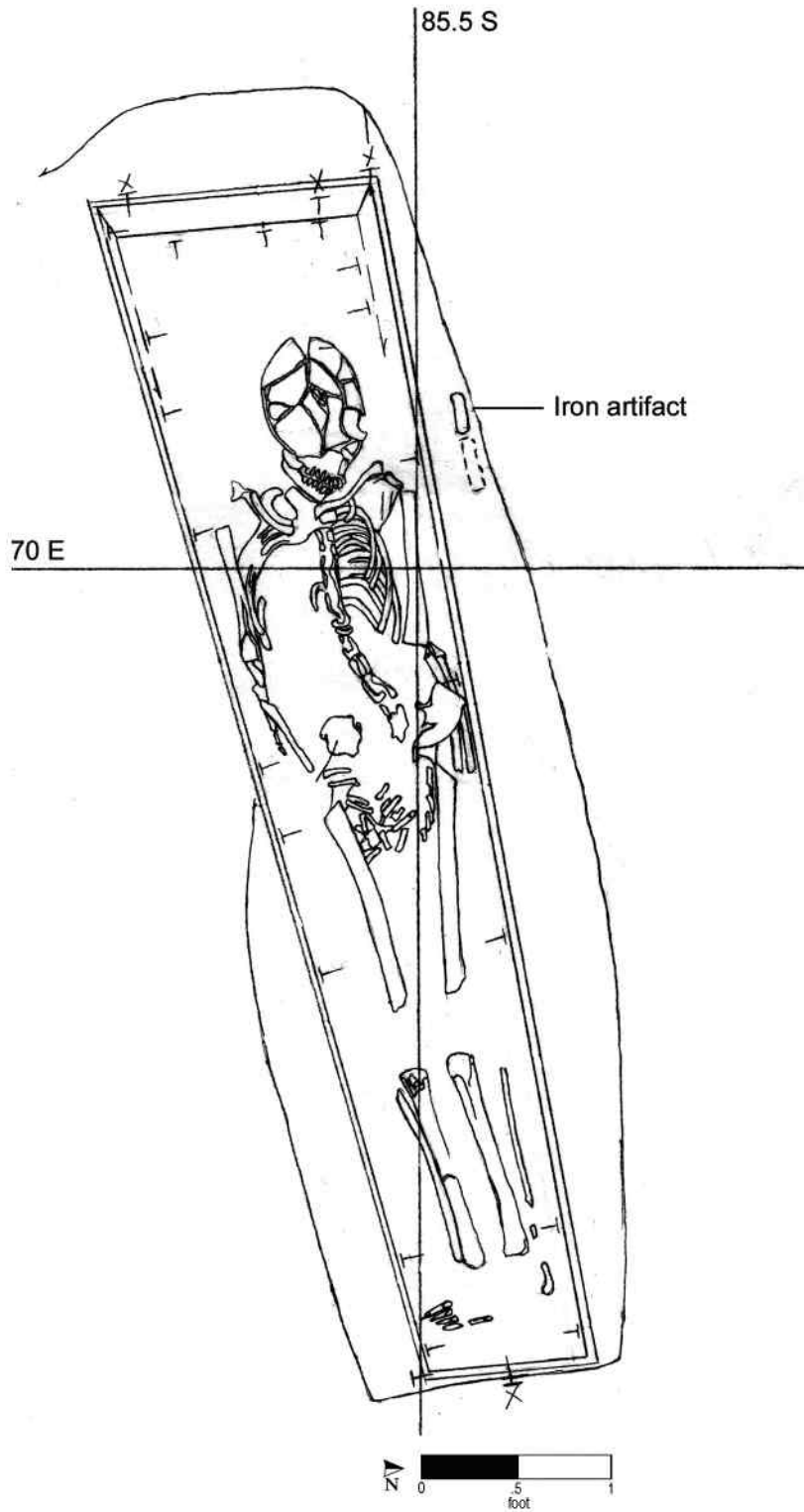
does not support this interpretation. The object was set aside to be X-rayed but was not recovered after the collapse of the World Trade Center.

The skeletal remains were in poor condition. The hands and feet were poorly preserved, and the left foot was missing. The right ribs were almost gone, and the skull was crushed and flattened. All of the remains were soft and difficult to remove, with the bone splintering and cracking. Extraneous bone found along the south wall of the woman's coffin was from Burial 120.

Burial 202 was immediately overlain by and shared a grave shaft with Burial 121, a child of 2.5–4.5 years. Either the two burials were interred at the same time, or Burial 121 was later placed deliberately within the Burial 202 grave. However, the latter seems unlikely because no separate grave shaft was discerned. The Burial 202 grave shaft was directly adjacent to the grave shafts of Burial 119 and Burial 120. Long bones from the woman in Burial 120, apparently displaced when Burial 119 was interred, had been placed in a small pile against the south side of the Burial 202 coffin. This indicates that Burial 202 was already in place when Burial 119 was interred.

Because of these stratigraphic relationships and the coffin shape, Burial 202 is assigned to the Early Group.

Burial 202 (cont.)



Burial No. 202 (drawn by M. Schur on 2/26/92; Drawing No. 457).

Burial 203

Catalog No. 1174

Datum point: 44

Grid coordinates: S 59.5, E 77

Elevation of cranium: 4.04 feet AMSL

Temporal group: Late

Burial 203 was of an adolescent, aged 12–18 years; sex could not be determined from the skeletal remains. The grave was located in the northern part of the cemetery, at the west side of Lot 15. Its northeastern edge had been damaged by a later privy. The grave-shaft fill was described as compacted clay, mostly yellow but mottled with blue-green. Brick fragments were noted within the soil, and excavators recovered various other grave-fill artifacts, including mammal bone, a stoneware sherd, an oyster shell fragment, and a few wood fragments.

The lid of the hexagonal coffin was encountered at an elevation of 3.96 feet. Numerous nail fragments were recovered, although only a few are depicted on the field drawing. Excavation of the privy obliterated most of the north coffin wall and damaged the cranium and left arm and shoulder area. The youth had been buried in supine position, head to the west and legs extended. The arms were crossed over the lower abdomen, with hands resting on opposite sides. The skeletal remains were in very poor condition.

Fourteen buttons were recorded in situ in the field, one at each knee, two alongside the top of each femur, three at each ilium, and two at the right side

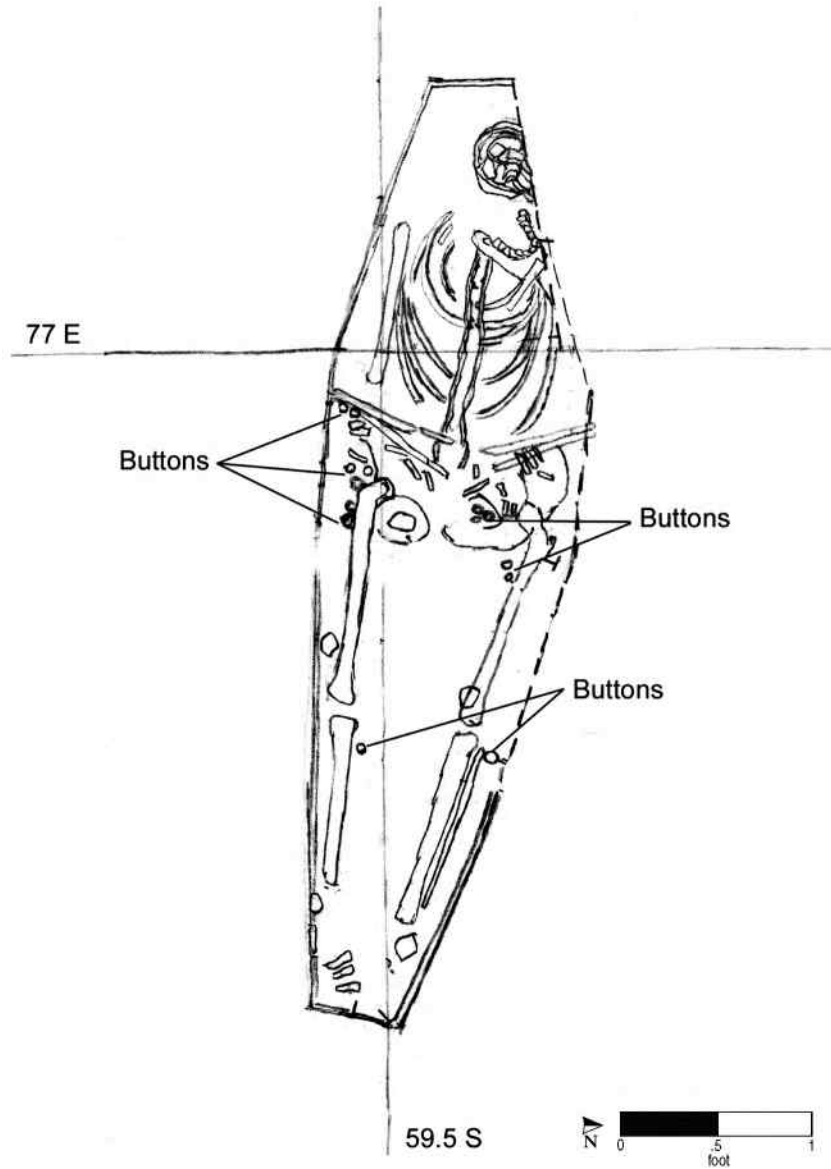


of the body adjacent to the right elbow. In the laboratory, however, only eight buttons were counted. It is likely several of the buttons had separated, causing overcounting in the field. Although the skeletal remains offered no clear indication of this individual's sex, the positioning of the buttons is typical of eighteenth-century knee breeches, typically male attire. The two buttons near the right arm may have been from a shirt. All of the buttons were of identical manufacture, size (13–15 mm in diameter), and composition. They were wooden, with copper-alloy shanks, possibly covered in leather. In addition to the buttons, two small copper-alloy straight-pin fragments were recovered from the heavy fraction of the soil sample taken from the stomach area.

Burial 203 did not overlap with any other burials and did not appear aligned with any other burials. However, the privy and other disturbances may have destroyed other graves in the immediate area.

Burial 203 has been assigned to the Late Group.

Burial 203 (cont.)



Burial No. 203 (drawn by E. S. on 2/23/92; Drawing No. 452).

Burial 204

Series 22

Catalog Nos. 1177 and 1176

Datum point: 79

Grid coordinates: S 77.5, E 98

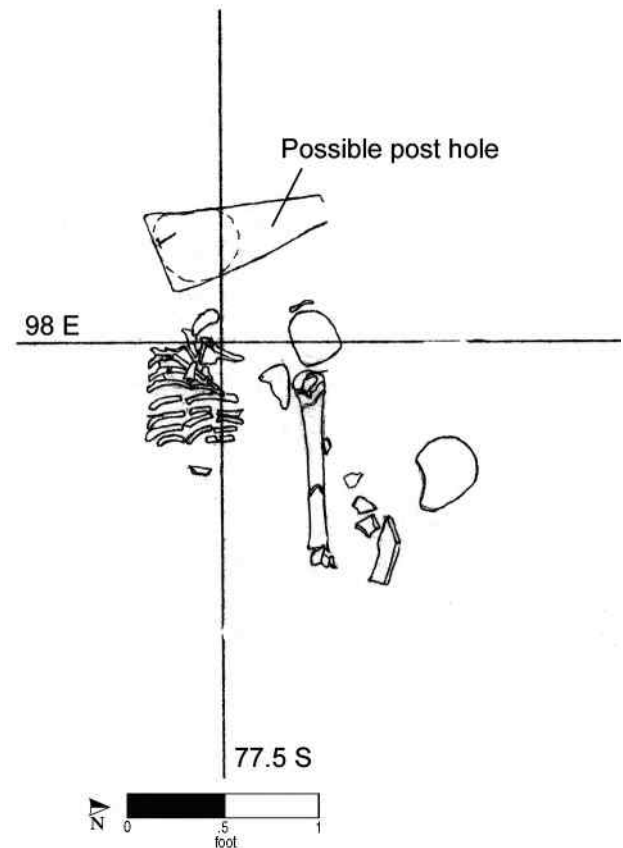
Elevation of highest skeletal remains: 3.81 feet AMSL

Temporal group: Late

Burial 204 contained the partial remains of an adult (probably a woman); her age could not be determined. No grave-cut outline or coffin was preserved, and only the left ribs, scapula, clavicle, and humerus were present. The entire area immediately east of the remains had been excavated by machine for construction of the building at 290 Broadway. This was done before archaeologists began hand excavations in this part of the site. Apparently, the remains were immediately below or possibly within a midden deposit (assigned Catalog No. 1176). The midden, exposed by machine scraping, extended down to an elevation of 3.40 feet and contained glass, ceramic fragments, and shell in a matrix of gritty sandy silt with cobbles and pebbles. However, no artifacts were recovered in association with the human remains. Feature 99, a rectangular possible post mold containing wood and nails, lay to the west of the remains such that it would have cut through the skull, if the remains were in their original position. However, the remains appeared to excavators to have been dragged by machinery. The precise orientation and position of the remains were therefore not recorded, even though the extant bones appear to have been articulated, with the head to the west.

The Burial 204 remains were first encountered at an elevation of 3.81 feet, and the lowest recorded elevation was 3.52 feet.

Because this interment overlay Burials 207 (which is assigned to the Late Group), as well as another grave (Burial 234), Burial 204 has been assigned to the Late Group.



Burial No. 204 (drawn by M. Schur on 2/23/92; Drawing No. 448).

Burial 205

Catalog No. 1178

Datum point: 62

Grid coordinates: S 59.5, E 102

Elevation of cranium: 0.41 feet AMSL

Temporal group: Late

Burial 205 was of a woman between 18 and 20 years old. The grave was located in the northern part of the excavated cemetery, along the western edge of Lot 16. The soil in the grave shaft was observed to be predominately brown and gray clayey silt, with pockets of sand and charcoal and brick fragments. The field notes allude to the presence of shell in the grave fill; however, no shell was collected or cataloged from this burial. A substantial amount of bone was recovered from the fill, and the grave was apparently dug into a surface that contained an animal-waste dump identified in this area. Ceramics were also abundant, predominately salt-glazed stoneware sherds, but also numerous sherds of European wares, including white salt-glazed stoneware, delft, Staffordshire slipware, redware, and Chinese export porcelain. Other grave-fill artifacts included pipe stems, olive-green bottle

glass, and a piece of cloudy quartz that may have been bifacially flaked.

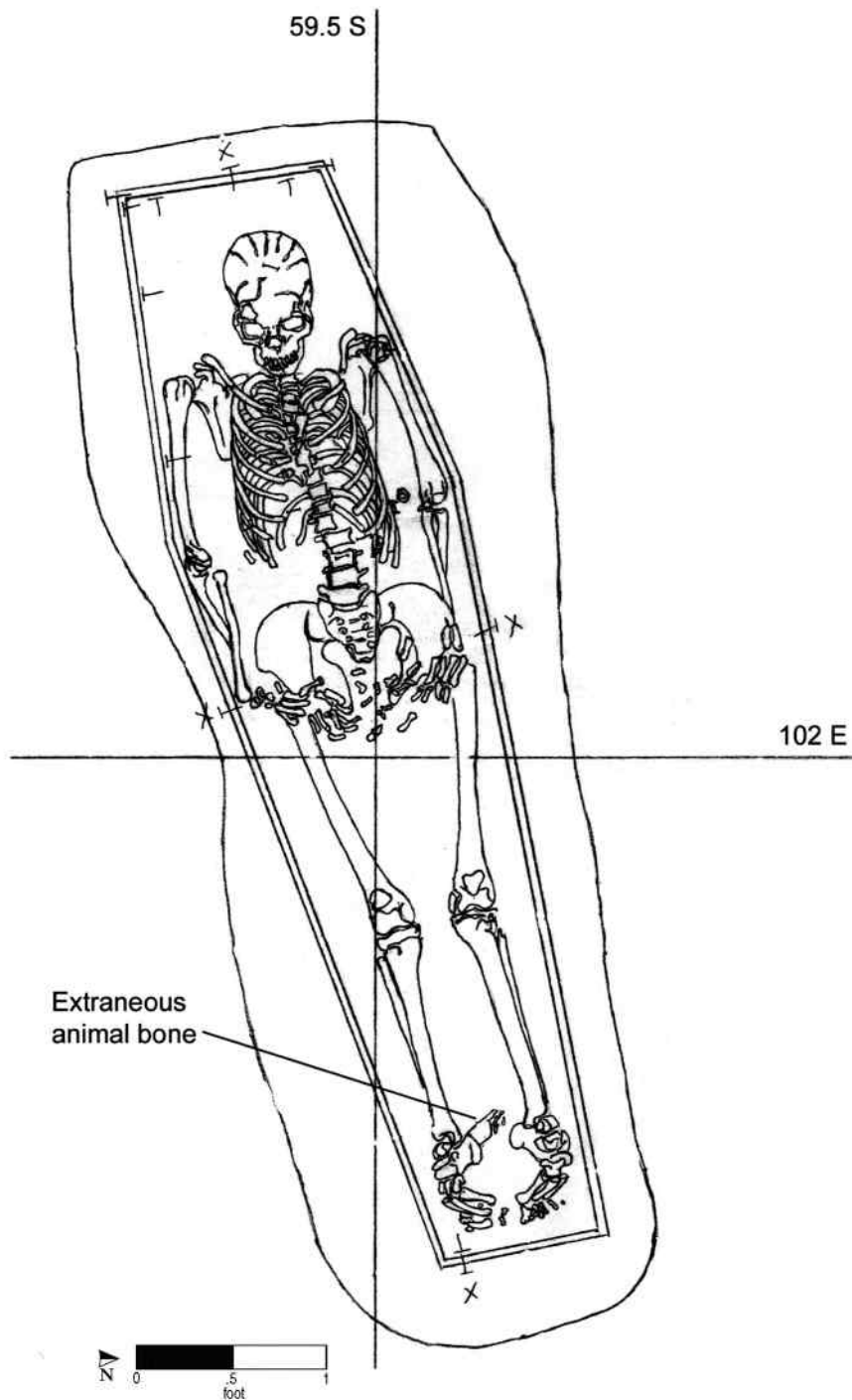
The coffin lid was hexagonal. Its wood was sampled but not analyzed for species. Nails were recorded around the perimeter. The woman had been placed in supine position with her head to the west; her legs were straight, and her arms extended downward. Her hands may have been resting on her upper thighs or pelvis. The condition of her skeleton was not noted. Ten copper-alloy straight pins were recorded with the skeletal remains. The drawing shows six pins in situ, one on the top of the cranium, one on the cervical vertebrae, three on the ribs, and one on the lumbar vertebrae.

Burial 205 appears to have been aligned in a north-south row with Burials 209, 179, 180, 171, 190, and 173, and possibly Burials 192 and 193 to the south. These burials comprised a broad demographic range, but all had similar orientations and were fairly evenly spaced.

Because of its location to the north of the alignment of postholes that marked the former fence line, Burial 205 is assigned to the Late Group.

(continued on page 280)

Burial 205 (cont.)



Burial No. 205 (drawn by M. Schur on 3/5/92; Drawing No. 484).

Burial 206

Series 54

Catalog No. 1180

Datum point: 79

Grid coordinates: S 75.5, E 93

Elevation of coffin lid: 3.31 feet AMSL

Temporal group: Middle

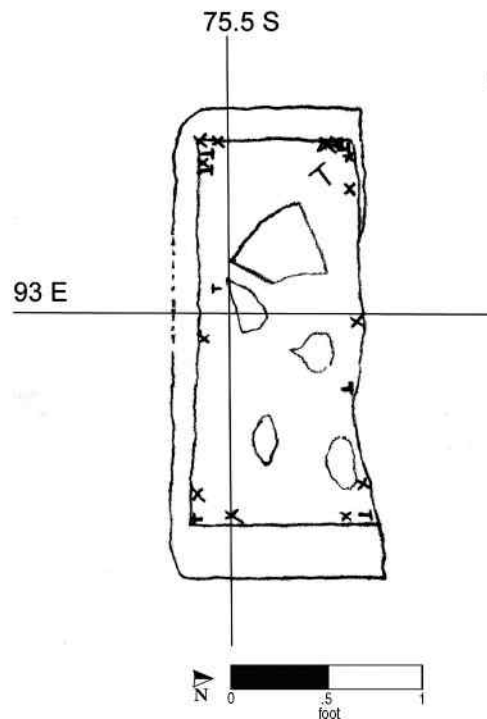
Burial 206 yielded no human remains. Based on the size of the coffin, it most likely held an infant or small child. The grave-shaft outline was rectangular, but the outline was absent on the northern side either because of its truncation by Burial 159's grave shaft or because the two shared a grave. The grave-shaft soil was described as mottled gray, brown, and red clayey silt. There were no grave-fill artifacts associated with Burial 206.

The coffin lid was recorded at an elevation of 3.31 feet, the bottom at 2.91 feet. The coffin was rectangular in shape and small, approximately 2 feet by 1 foot. It was oriented east-west lengthwise. Nails were recovered from the perimeter of the coffin top and bottom, including vertical nails at all four corners. The wood was identified as red pine. No artifacts were associated with this burial, except for the coffin remains and a single unidentified seed fragment recovered from an unknown context.

Burials 206 and 161, both children's burials, flanked Burial 159, a woman between 25 and 35 years old, with Burial 206 on the south side and Burial 161 on the north. Field records are somewhat ambiguous regarding the stratigraphic relationship among these burials. When excavators first exposed the burials, in late January 1992, they believed that Burial 159 intruded upon the others. However,

the final field drawing for Burial 159, executed in mid-February, shows its grave-shaft outline encompassing both of the child burials (which were excavated later). The elevations of all three burials correspond, and they are oriented parallel to one another. Burial 159 may have been interred subsequent to Burial 206, and possibly also Burial 161, or all three may have been interred together. In the absence of any material evidence to place them more precisely, all three burials have been assigned to the Middle Group.

It is also possible that Burials 206 and 161, if prior to Burial 159, were part of a row of infant graves that also included Burial 220 to the south. The three infant burials were spaced evenly, about 2 feet apart, and were parallel.



Burial No. 206 (drawn by P. Fitzpatrick and E. S. on 3/4/92; Drawing No. 480).

Burial 207

Series 22

Catalog Nos. 1181, 1179, and 1176

Datum point: 79

Grid coordinates: S 78.5, E 95

Elevation of cranium: 3.76 feet AMSL

Temporal group: Late

The remains in Burial 207 were identified as a probable woman between 25 and 35 years old. The grave shaft consisted of yellow and gray silt, mottled with small cobbles and large pebbles and flecked with charcoal. To the excavators, it appeared to have been originally excavated from a surface covered by a midden deposit (see description of Burial 204). The grave-shaft outline was wide with rounded corners but was not visible on the north side. The grave fill contained a sherd of salt-glazed stoneware, a few sherds of glass, and a fragment of a tobacco pipe stem, along with oyster and clam shells. The excavator also noted the presence of prehistoric lithics, including the base of a projectile point, although no such items were accessioned in the laboratory. In addition, the soil matrix from within the cranium contained a small sherd of hand-painted pearlware, presumably from the soil matrix. Although later midden material may have slumped into the burial some time after its interment, the presence of the ceramic sherd inside the brain case suggests it came from the original matrix, and it places the burial in the period after 1780. Nevertheless, the possibility that the sherd was intrusive should not be ruled out.

Excavation of the grave began at an elevation of 3.80 feet, and the coffin lid was recorded at 3.74 feet. The bottom of the burial was at 3.70 feet in the western portion and sloped down to 2.70 feet

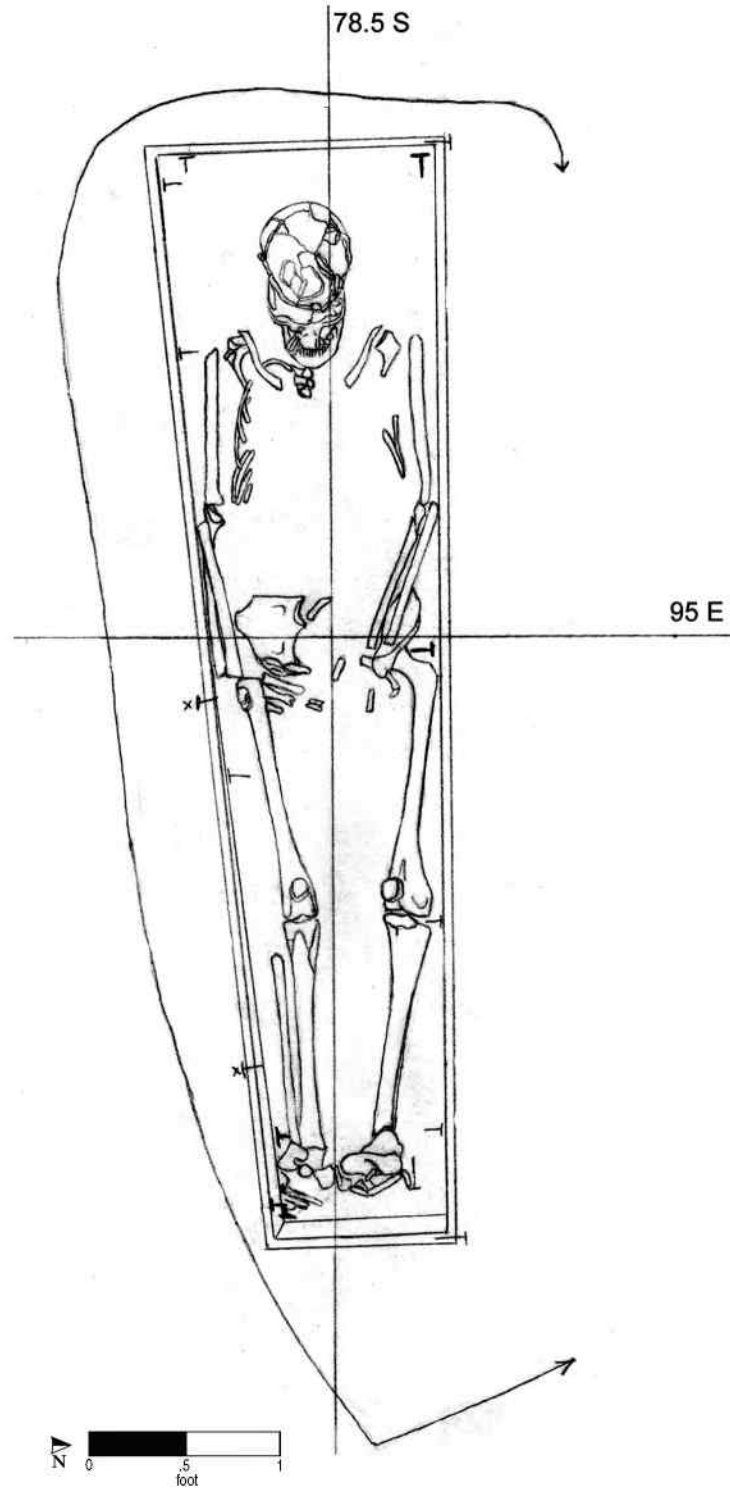
at the eastern end. The coffin survived only as a stain; it was apparently four sided and may have tapered toward the foot. A number of nails were recorded around the perimeter, including at the two corners of the coffin head. Their placement supports the identification of this coffin as four sided. The woman had been placed in the supine position, with her head to the west and her hands over her pelvis.

The cranium had been crushed by the weight of the backhoe, and the rest of the skeleton was also in poor condition. The bones of the central torso were all missing, which created a “void” and resulted in later, overlying deposits slumping into the grave. This void was roughly rectangular in shape, measuring 1.05 feet in length and 0.55–0.65 feet in width. The soil in this area was indistinguishable from the grave fill of Burial 207. The excavator hypothesized that an infant burial may have lain upon the torso of Burial 207, but this would not explain the absence of the woman’s skeletal elements. It is possible the torso was disturbed at some time in the past.

The northeast corner of Burial 207 was overlain by displaced skeletal remains designated Burial 204. Additionally, the grave of Burial 208, an infant burial, appeared to have been dug into the northern portion of Burial 207’s grave shaft. Burial 207 lay slightly above several infant and young-child burials, including the co-interred Burials 234, 224, and 231, and Burial 220 and Burial 240.

Although the tapered coffin shape has been considered diagnostic of early burials, Burial 207 appears to be an exception. Owing to the presence of pearlware in the soil that had filled the cranial cavity and the fact that the burial clearly postdated a number of other graves, this burial is assigned to the Late Group (see report Chapter 6 for discussion).

Burial 207 (cont.)



Burial No. 207 (drawn by W. Williams on 3/1/92; Drawing No. 463).

Burial 208

Series 22

Catalog Nos. 1182 and 1176

Datum point: 79

Grid coordinates: S 77, E 96

Elevation of highest skeletal remains: 3.70 feet AMSL

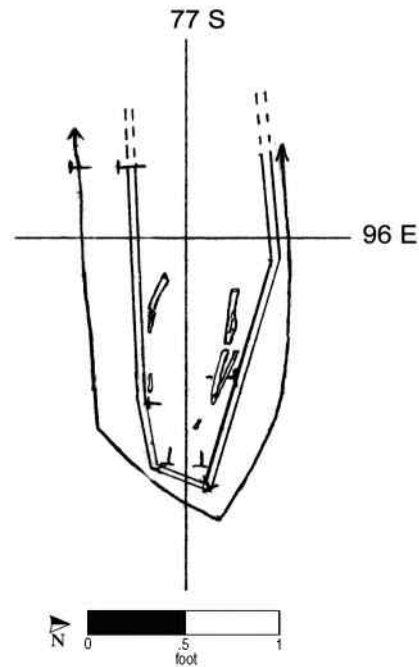
Temporal group: Late

Burial 208 was the eastern portion of the grave of an infant 6 months to 1 year old. The area had been scraped by the backhoe, and this burial lay close to the exposed surface when hand excavations began. The machine probably destroyed the western portion of the burial. The shaft outline encompassed a dark gray, slightly sandy silt that contained material presumed to have been redeposited from a surface midden. The outline became visible within the northern part of the shaft outlined for Burial 207 (which lay below and to the south). Ceramic and brick fragments were contained in the Burial 208 grave fill. The presence of creamware and pearlware would date the grave to the later period of the cemetery, after about 1780. However, intrusive material cannot be ruled out; there was considerable damage to this area of the site from construction work during excavations.

The coffin lid was recorded at an elevation of 4.0 feet and the bottom at 3.45 feet. The child was apparently interred in a coffin that tapered at the

foot; this child's head was to the west. Nails were recorded in situ, but their placement does not clarify the shape. The bottom coffin wood was identified as cedar. The skeletal remains consisted mainly of fragments of lower leg bones. The backhoe had removed the upper torso.

Burial 208 cut into the grave-shaft of Burial 207. Because of its stratigraphic position, Burial 208 is assigned to the Late Group.



Burial No. 208 (drawn by W. Williams on 2/25/92; Drawing No. 454).

Burial 209

Catalog No. 1184

Datum point: 67

Grid coordinates: S 42, E 94

Elevation of cranium: 0.43 feet AMSL

Temporal group: Late

Burial 209 held the remains of a man between 40 and 50 years of age. The grave was located in the northern part of the excavated cemetery, in the central part of Lot 15. The fill in the grave shaft was described as brownish blue silty clay, mottled with yellow-green clay, and it contained small amounts of mammal bone, stoneware, redware, and an intrusive fragment of linoleum.

The coffin lid was encountered at an elevation of 0.62 feet, the bottom at -0.22 feet. It was hexagonal in shape. Concentrations of nails were found at the headboard and footboard, and a sample of coffin

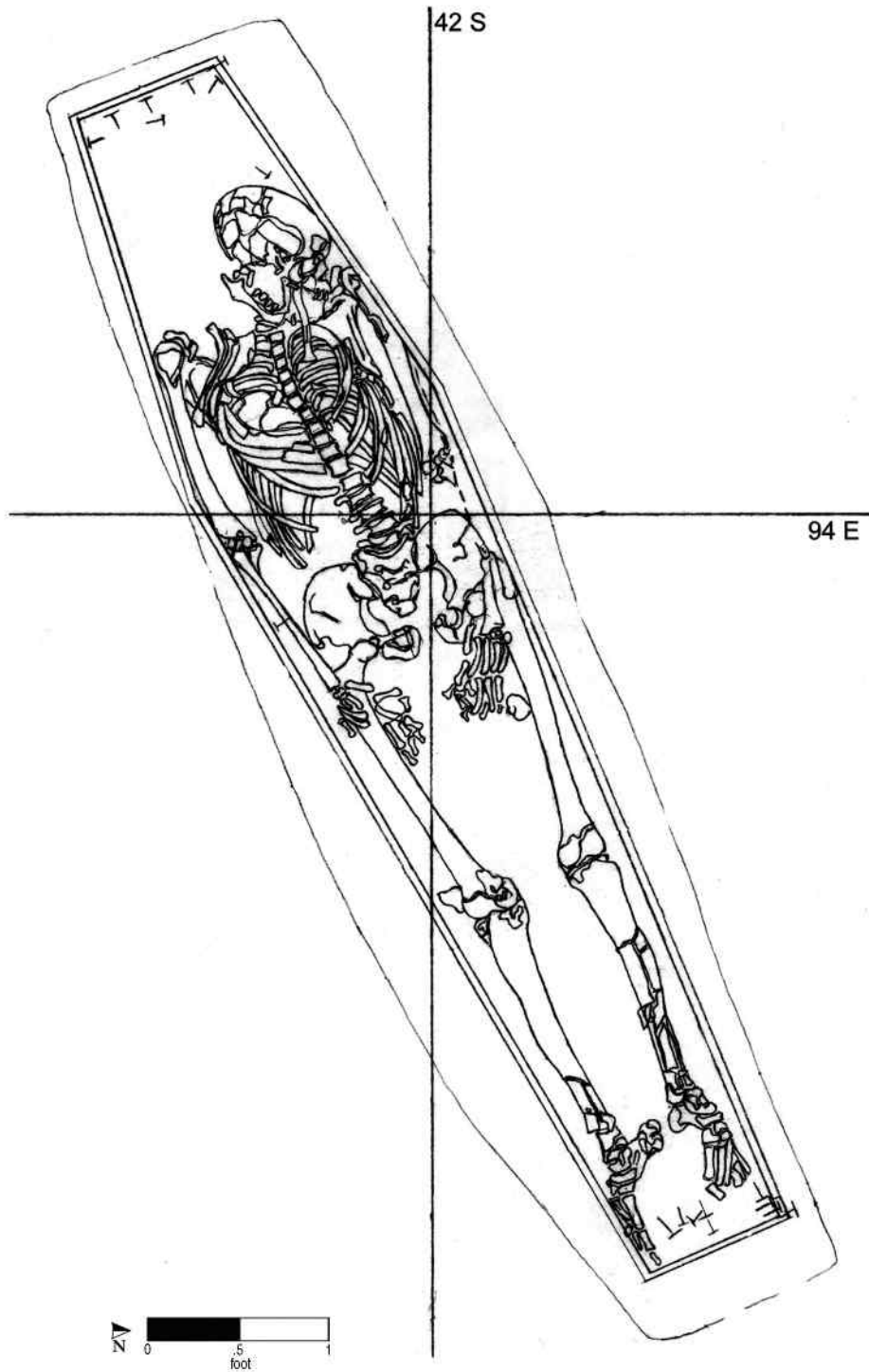
wood was taken from the lid but not analyzed for species. The man had been laid to rest in supine position, head to the west and legs extended. His arms were extended downward along his sides, and his hands were on his pelvis. The skeletal remains were somewhat eroded, and several bones were broken. No pins or other artifacts were noted within this burial.

Burial 209 appears to have been aligned in a north-south row with Burials 205, 179, 180, 171, 190, and 173, and possibly Burials 192 and 193 to the south. These burials all had similar orientations and were fairly evenly spaced.

Because of its location north of the posthole alignment (marking a former fence believed to have been demolished ca. 1776), Burial 209 is assigned to the Late Group.

(continued on page 286)

Burial 209 (cont.)



Burial No. 209 (drawn by M. Schur on 3/4/92; Drawing No. 477).

Burial 210

Catalog No. 1185

Datum point: 65

Grid coordinates: S 46, E 116

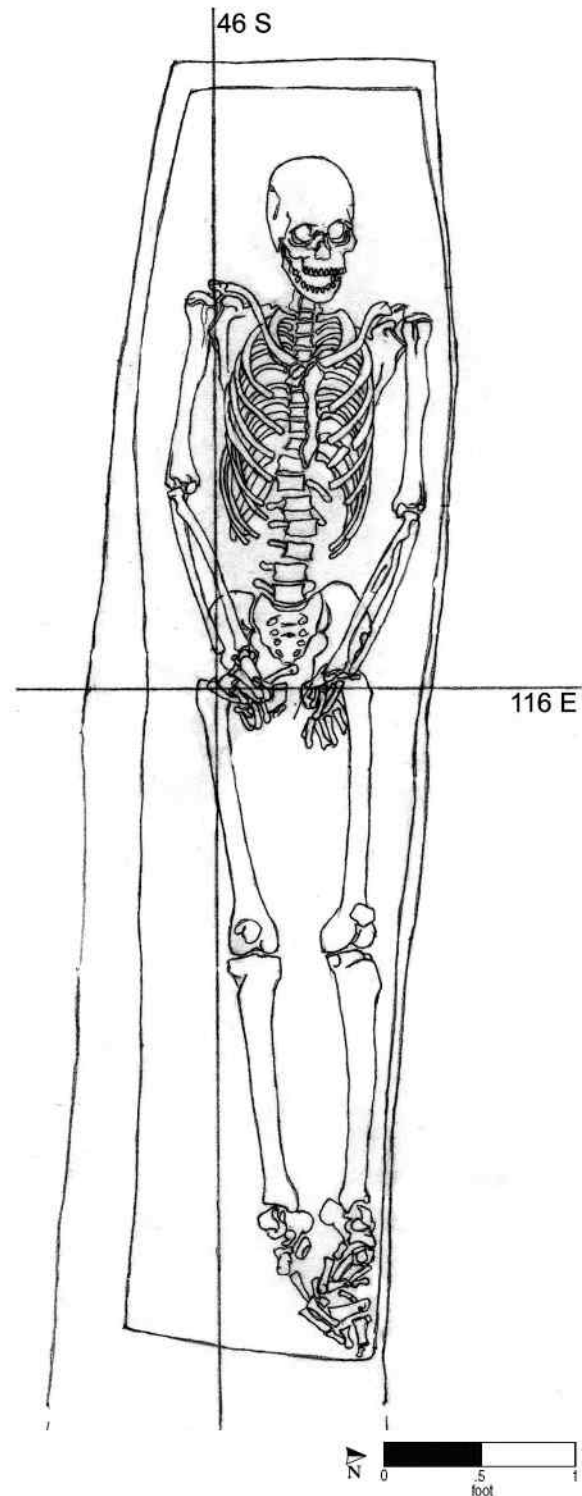
Elevation of cranium: 0.22 feet AMSL

Temporal group: Late

Burial 210 was of a man between 35 and 45 years old. The grave was located in the northern area of the cemetery, in the central part of Lot 16. No coffin was detected, but excavators noted that the grave pit was roughly hexagonal in outline. The grave fill was dark brown clay, and the underlying soil was hard-packed, dark red, coarse sand. The soil surrounding the grave pit was observed to be light yellowish gray silty clay over red-brown silt clay. The shaft fill contained a fair amount of animal bone. Ten cow bones or bone fragments were recovered, in addition to 124 fragments of bovine horn core. The latter was apparently from a single horn, recorded at an elevation of 1.45 feet. Horse, dog, and chicken bones, as well as mammal bones not identified by species, were also enumerated. In addition to bone, the excavators collected oyster and clam shells and seeds. The field notes also mention ceramic, glass, and kiln furniture in the fill, but these do not appear to have been recovered by the excavators. Copper-alloy straight-pin fragments, a nail, a copper-alloy hook fastener, part of an iron strap (probably from a barrel), a piece of lead shot, and a graphite pencil lead (intrusive) were also recovered from the grave; these were associated with the fill rather than with the skeletal remains.

The man had been laid out in the supine position with his head to the west. His legs were extended, with the left leg turned outward, and his hands were laid over his pelvis. Skeletal preservation was described as excellent, and the cranial vault was intact.

Burial 210 did not overlap with any other burials. It appears to have been in a north-south row with Burials 266, 243, 242, 241, and 217, which held adults of both sexes and various ages that have all been assigned to the Late Group. Burial 210 was located north of the fence line and has likewise been assigned to the Late Group.



Burial No. 210 (drawn by M. Schur on 3/3/92; Drawing No. 472).

Burial 211

Series 15A

Catalog No. 1186

Datum point: 81

Grid coordinates: S 77.0, E 79.5

Elevation of cranium: 3.93 feet AMSL

Temporal group: Late

Burial 211 was assessed in the field as an adult, probably a man. Associated soil was described as light brown sandy silt, mottled with yellow-gold sandy silt. The grave-shaft outline was obscured in the southeast corner and along the southern side.

No coffin was present. The burial was given an opening elevation of 3.93 feet based on the cranial elevation, and the lowest elevation for skeletal remains was 3.25 feet. The deceased had been placed in the supine position, with the head to the west and hands resting over the pelvis. An oval, turquoise-blue enameled button or jewelry face was recovered from the right clavicle, immediately adjacent to the chin. This item measured 1.1 cm by 1.4 cm and was originally on a copper-alloy back.

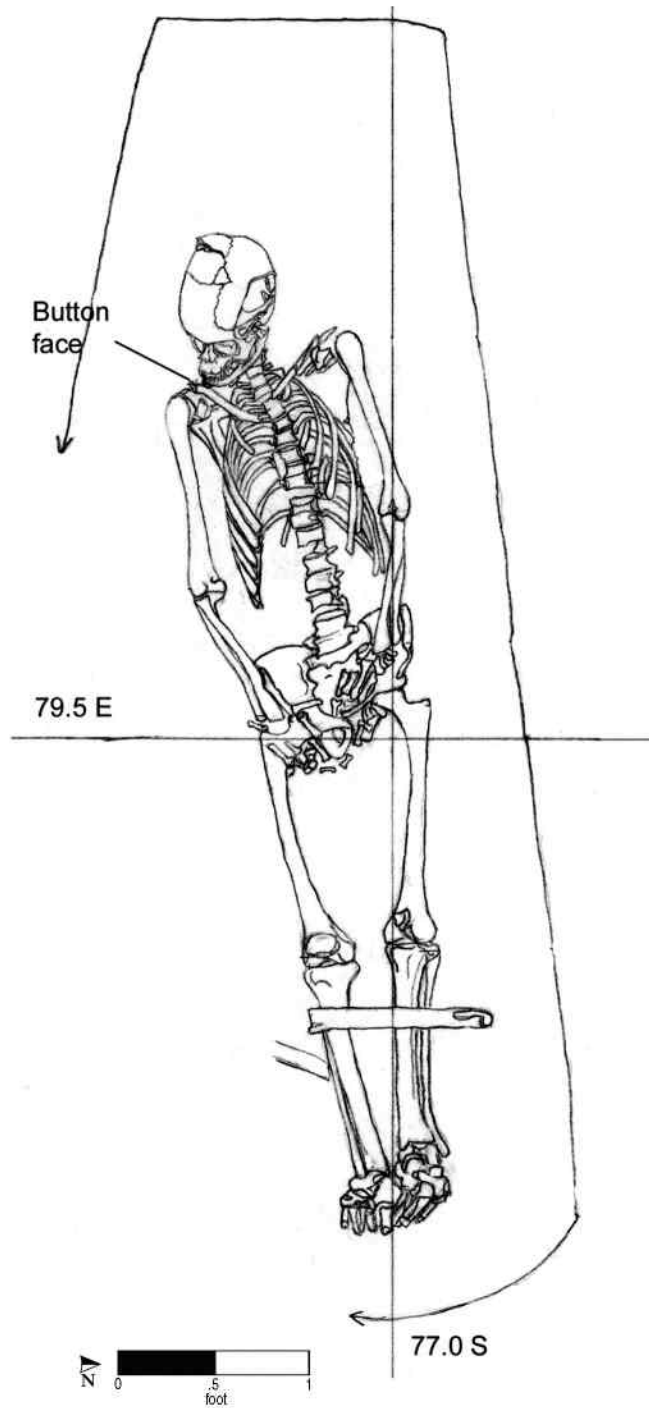


Burial 211 lay directly over Burial 256. Extra-neous bone was recovered on top of the legs of Burial 211, and it is hypothesized that these belong to Burial 281, which had been disturbed by Burial 256.

The grave shaft of Burial 211 may have overlain that of Burial 251, but the former was excavated 1 month prior to the latter and records do not mention the stratigraphic relationship. Burial 211 truncated Burial 227 to the east. The grave shaft of Burial 211 abutted the southern edge of the grave shaft of Burial 200; the burials were at approximately the same elevation, and it is not possible to determine their sequence of interment.

This grave may have been the southernmost burial in a roughly north-south row that included Burials 199, 150, and 223 (which were all of women between 20 and 40 years old, buried without coffins). The row spans the line of postholes from a fence that once crossed the site, and the row may have postdated the 1760s fence. Thus, Burial 211 is assigned to the Late Group.

Burial 211 (cont.)



Burial No. 211 (drawn by W. Williams on 3/5/92; Drawing No. 481).

Burial 212

Series 23b

Catalog No. 1189

Datum point: 71

Grid coordinates: S 82.5, E 55

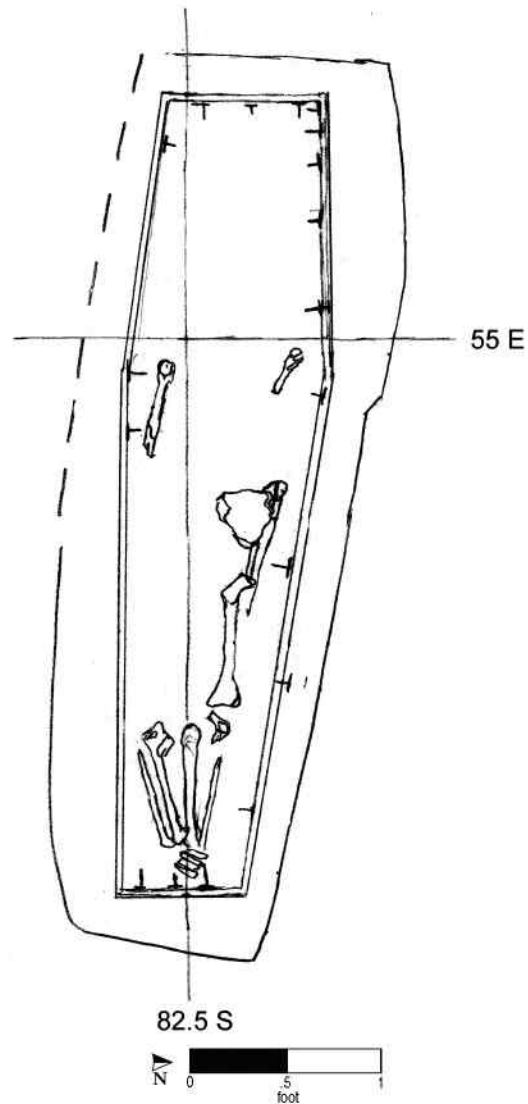
Elevation of highest point: 3.75 feet AMSL

Temporal group: Middle

Burial 212 was of a child between 4.5 and 5.5 years old. The grave was discovered near the rear of Lot 14, directly beneath Burial 196 but offset half a foot to the north. The coffin lid was not present, although a group of nails near what would have been its north side was recorded and removed. These nails may have been from Burial 196. The bottom of the coffin was preserved at an elevation of 3.63 feet; a wood sample was identified in the laboratory as yew. The coffin was hexagonal in shape, and many nails were recorded in situ around the bottom perimeter.

The child had been placed with the head to the west. The skeletal remains were very incomplete, consisting only of a humerus, left innominate, left femur, and left and right lower leg and foot bones. Burial 212 may have been damaged during the interment of the individual in Burial 196 (an adult aged 20–24 years of unknown sex), but Burial 196 may have been deliberately placed atop Burial 212, and the damage to the child's grave could have occurred subsequently or when the upper grave was disturbed and its coffin opened (see description for Burial 196).

The northwest corner of the grave shaft of Burial 212 appears to have overlain the southeast corner of the grave shaft of Burial 275, of a probable adult woman. It also truncated the south (head) half of the Early Group Burial 237/264, which was oriented north-south. This stratigraphic evidence places Burial 212 in the Middle Group.



Burial No. 212 (drawn by E. S. on 3/4/92; Drawing No. 478).

Burial 213

Series 32

Catalog No. 1190

Datum point: 75

Grid coordinates: S 84.5, E 85.5

Elevation of cranium: 3.93 feet AMSL

Temporal Period: Middle

Burial 213 was of a woman between 45 and 55 years old. Her grave was disturbed by a round, brick-lined, nineteenth-century drain (designated as Feature 100), which cut through her body from the pelvis to the lower legs. The mottled sandy silt of her grave shaft held a chunk of redware kiln furniture, a sherd of salt-glazed stoneware, and a kaolin-pipe-stem fragment with a $\frac{5}{64}$ -inch bore. A field drawing also shows fragments of bone in the grave fill.

The woman's hexagonal coffin was reached at an elevation of 4.22 feet. The elevation of the coffin bottom was not recorded; it seems to have been laid immediately atop an earlier interment, Burial 247. A wood sample taken from Burial 213 was identified as red cedar. Excavators noted that a sample with possible red paint was taken, but it was not inventoried or analyzed by laboratory staff. Numerous nails were recorded and collected, including some found in vertical positions. Several unidentified iron artifacts, probably coffin hardware, were collected and slated to be X-rayed but were lost on September 11, 2001.

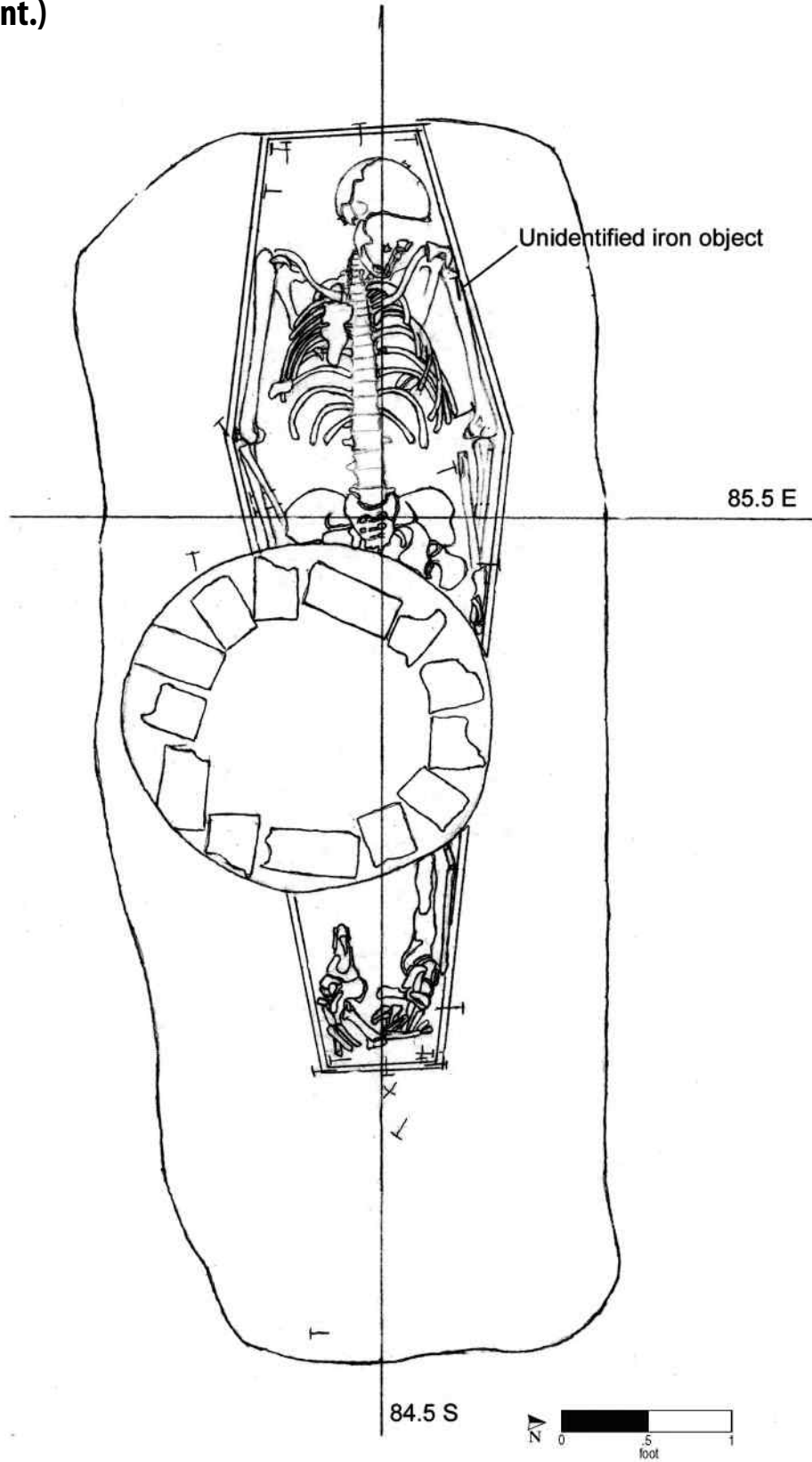
The elevation of the highest skeletal remains was at the cranium, at 3.93 feet; the elevation of the lowest skeletal remains was 3.49 feet. The woman

had been buried supine, with her head to the west and her hands at her sides. Feature 100, the aforementioned nineteenth-century drain, had punched completely through her middle body, damaging the right innominate and obliterating both femurs and much of her lower legs. The burial also was apparently vandalized during excavation, damaging the left arm. Preservation was assessed as fair to poor. Excavators noted an unidentified metal object on the proximal left humerus, but this was never received in the laboratory. They also recovered two copper-alloy straight-pin fragments from the cranium, one of which, upon examination, was identified as an aglet. The aglet, from the left parietal, had hair attached. Pin fragments were also noted with the right mandible and a left.

Burial 213's grave shaft lay entirely within the grave shaft of Burial 247, a probable Early Group interment of a man aged about 40 years. The Burial 213 grave was dug into the previously collapsed coffin of Burial 247 and disturbed the man's skeleton. His disarticulated bones were removed and placed, apparently with some care, at the eastern end of the woman's coffin, and his residual coffin wood was arranged around them, maintaining an enclosure. The Burial 213 and Burial 247 graves were parallel, although the later coffin was offset to the west. Intentional co-interment (albeit after an interval), with deliberate placement of the earlier burial's bones within the later burial, should be considered. Burial 213 has been assigned to the Middle Group on the basis of stratigraphy and coffin shape.

(continued on page 292)

Burial 213 (cont.)



Burial No. 213 (drawn by W. Williams and M. Schur on 3/10/92; Drawing No. 502).

Burial 214

Series 15A

Catalog No. 1191

Datum point: 81

Grid coordinates: S 79.5, E 63.5

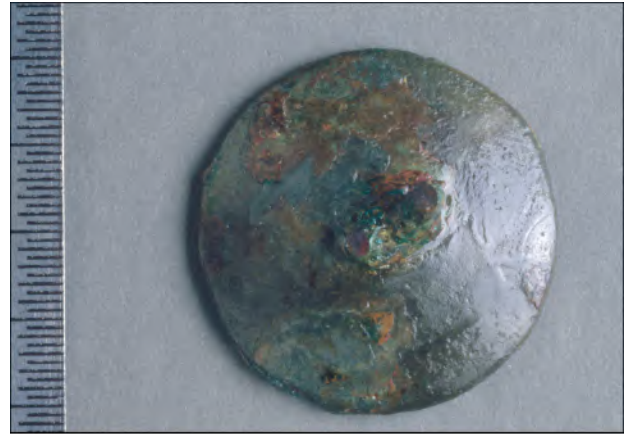
Elevation of cranium: 4.84 feet AMSL

Temporal group: Late

Burial 214 was of a man between 45 and 55 years of age. The central part of the grave shaft had been disturbed by a later trash pit, which measured 0.15 feet by 0.4 feet. The pit contained six bricks, brick fragments, burnt and unburnt coal, and burnt stone. The bottom of the pit was recorded at an elevation of 5.07 feet. Cataloged artifacts from the grave fill (presumably including pit fill) included clam and oyster shells, brick fragments, and fragments of bottle and window glass.

The coffin lid was at an elevation of 4.35 feet in the northeast corner, sloping down to 4.23 feet in the northwest corner, and the bottom was at 3.42 feet in the center of the burial. The coffin was hexagonal in shape, and a wood sample was identified as balsam fir. The man was interred in the supine position, with his head to the west and his hands over his pelvis. The pelvis was fragmented, having been disturbed by the overlying trash pit. Excavators noted a possible pipe notch on the interior second incisor.

Burial artifacts recorded in situ included a metal button back near the right shoulder, a pin near the right forearm, and a knife handle and a coin near the left forearm. The 21-mm-diameter copper-alloy button back was from a dome button of two-piece construction, with a broken omega shank. A degraded copper-alloy looped button-shank fragment, possibly from the same button, was also recovered (the provenience is unclear). Button-shank and button-back fragments were also recovered from the flotation of a soil sample from the head area.



The 2.3-cm-diameter coin was of copper alloy and was identified as a possible George II halfpenny (1727–1760). The knife handle was of bone or antler and iron, 8.5 cm in length. It was noted on field records but was bagged along with coffin nails and was not treated by conservators.

Excavators also noted a possible seed necklace, but this item was not depicted on the in situ drawing and is not discernible in photographs. Eleven seeds and seed fragments were cataloged in the lab but were not identified. The conservation report lists the function of the seeds as “unknown.” The seeds were not recovered after the collapse of the World Trade Center on September 11, 2001.

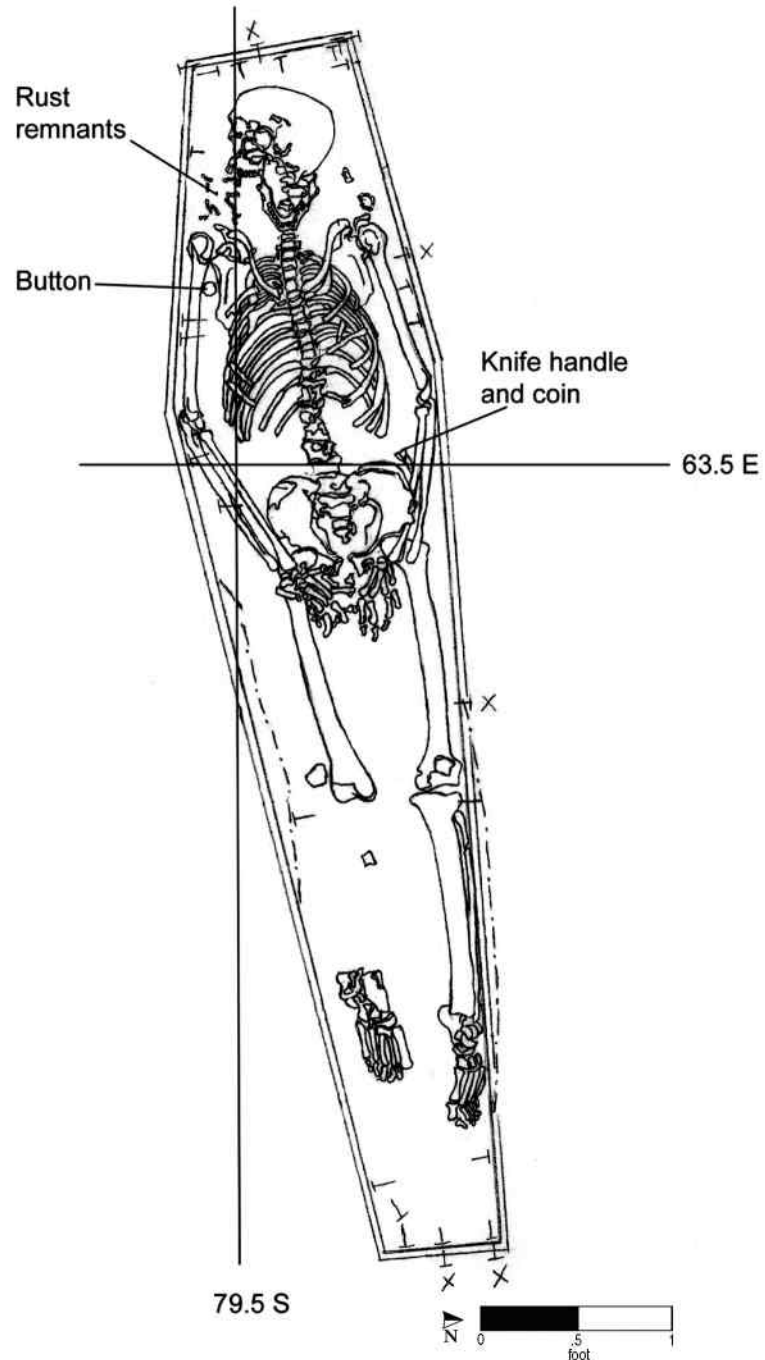
(continued on page 294)

Burial 214 (cont.)

An unidentified mass was recovered from the head and upper body portion of the coffin interior. The material appeared as a series of small “tubes” surrounded by what appeared to be rust in the soil matrix. It was pedestaled and removed. The feature may have been the result of unidentified natural actions.

Burial 214 was vandalized prior to its removal. The cranium was smashed, the mandible was broken, and the incisors and canines were scattered from the tooth sockets. The metal button that had been recorded in situ was left at the top of the grave cut.

Burial 214 lay directly above Burial 238, which held a man aged 40–50 years. Excavators suggested the two shared a grave, although it is unlikely they were interred at the same time, because Burial 214 was offset 2.2 feet to the east of Burial 238. Burial 271, the grave of a man aged between 45 and 57 years, was adjacent to and perhaps slightly beneath the north edge of Burial 214, but it was excavated 1 month later, and the stratigraphic relationship to Burial 214 cannot be determined with certainty. Based on the apparent stratigraphic sequence of these interments, Burial 214 has been assigned to the Late Group.



Burial No. 214 (drawn by M. Schur on 3/6/92; Drawing No. 485).

Burial 215

Series 15A

Catalog No. 1193

Datum point: 74

Grid coordinates: S 81.5, E 72.5

Elevation of cranium: 4.57 feet AMSL (highest point of skeletal remains; but note that there are numerous discrepancies in recorded elevations between field notes and burial drawings)

Temporal group: Middle

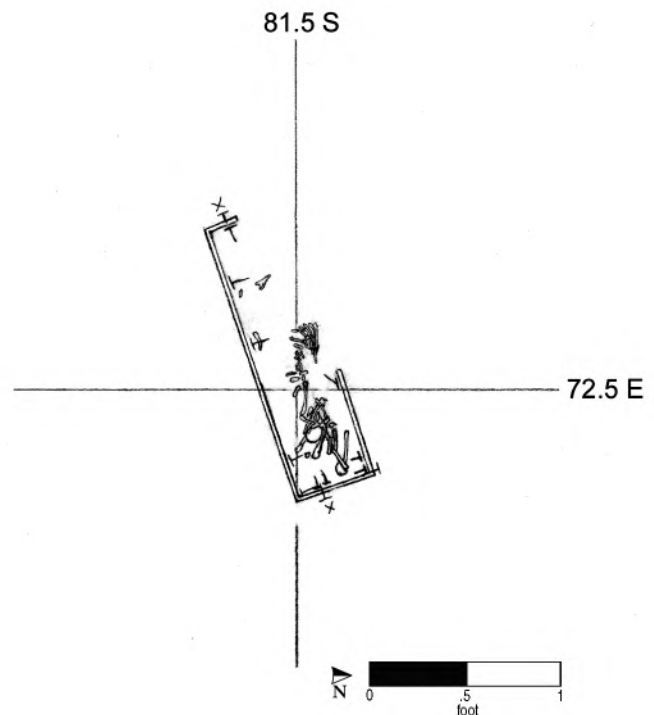
Burial 215 was of an infant less than 2 months old. The associated soil was described as dark brown, mottled with yellow-gray clay. Excavators noted that the child's grave pit appeared to be inside a larger pit. The burial was very disturbed, but several in situ nails were discernible, indicating a probable coffin. The western portion of the coffin outline was unclear, and there was no preservation of the northwest section. Drawing No. 474 indicates that the lowest recorded elevation for the burial was 3.45 feet, in the eastern portion of the coffin.

The coffin appears to have been four sided. Based on the skeletal elements recovered, the infant was probably interred with the head to the west. The skeletal remains appeared to have been disturbed and were in poor condition, highly fragmented, and very fragile. Several long bones and a possible portion of the pelvis lay in the east end of the burial, and ribs and a cranial fragment lay in the western section. Two straight-pin fragments were recovered

and cataloged in the lab, but their locations were not noted in the field.

Burial 215 overlay Burial 295, the grave of a woman aged between 30 and 50 years. This placement appears to have been deliberate. Several other child graves, Burials 229, 239, and 246, were clustered in the immediate area.

Based on stratigraphy and in the absence of other temporal evidence, Burial 215 is placed in the Middle Group.



Burial No. 215 (drawn by M. Schur on 3/3/92; Drawing No. 474).

Burial 216

Series 23B

Catalog No. 1194

Datum point: 81

Grid coordinates: S 78.5, E 57

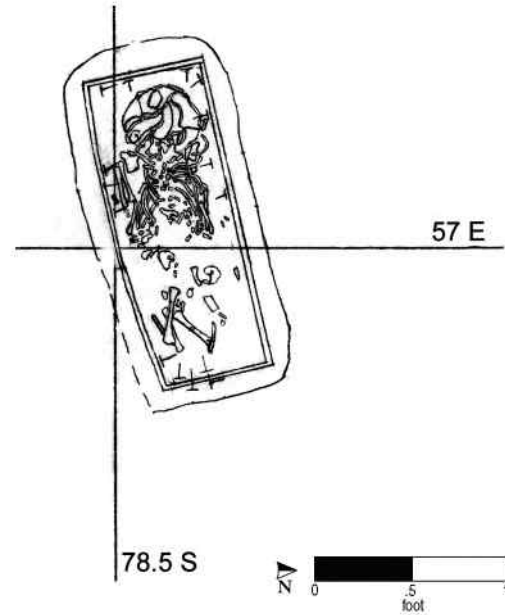
Elevation of cranium: 4.44 feet AMSL

Temporal group: Late-Middle

Burial 216 was of an infant less than 2 months old. The grave shaft, containing soil described as sandy clay, had been slightly disturbed in the southeast corner by an unknown cause. Otherwise, both the tiny grave cut and the coffin outline were well preserved. No artifacts were recovered from the fill.

The top of the rectangular coffin was exposed at an elevation of 4.57 feet; the bottom was at 4.31 feet. Coffin nails were recorded in situ around the perimeter. Four pins were also recovered from the torso. The infant had been placed with the head to the west. Skeletal remains were in fair to good condition but were disturbed below the lumbar vertebrae, and the feet were not present.

The west end of Burial 216 lay 0.24 feet above the northeast corner of Burial 237 (a disturbed Early Group burial which was oriented north-south). Otherwise, it appeared to be from the same general period of interment as Burials 238 and 176 to the east and is placed with them in the Late-Middle Group. However, it may belong in the default Middle Group.



Burial No. 216 (drawn by M. Schur on 3/5/92; Drawing No. 483).