

**Burial 67**

Series 4

Catalog No. 810

Datum point: 13

Grid coordinates: S 94, E 0

Elevation of highest skeletal remains: 7.28 feet AMSL

Temporal group: Late-Middle

Burial 67, located in the north-south leg of the former Republican Alley, yielded the remains of a man between 40 and 50 years of age. Excavation of the grave shaft began at an elevation of 7.88 feet. The grave-shaft fill contained mixed and mottled silts with cobbles and pebbles. The grave had been truncated on the west by a builder's trench for a structure on a Broadway lot, leaving only the postcranial remains. Other disturbances to the grave shaft included a partial cut along the south side for another interment (Burial 60) and a partial cut in the southwest corner made during archaeological excavation of Burials 46 and 29 to the south. Ceramics (including slipware, stoneware and a piece of kiln furniture), pipe stems, brick, cow and sheep bone, shell, and glass were recovered from the grave shaft. Disarticulated human skeletal material was also found in the grave shaft; excavators presumed that it belonged to Burial 81, located to the north, but it also may have been from the highly disturbed Burial 88, which lay immediately below Burial 81. Excavators described a break or fault line in the soil, oriented perpendicular to the burial on a north-south axis near the coffin foot. This disturbance, noted in other burials in this part of the site, was probably caused by major construction on adjacent Broadway-facing lots.

The coffin lid was first encountered at an elevation of 7.73 feet in the eastern portion of the burial, but it had shifted downward to an elevation of 6.63 feet on the west where it was truncated by the builder's trench. Ten vertical nails, apparently attaching the lid to the sides and foot, were recorded at the top of the coffin. Some coffin lid nails may have been removed during the excavation of Burial 60. A cof-

fin wood sample from an unspecified location was identified as eastern white pine.

Excavation continued to expose the man's skeletal remains and the coffin bottom. Excavators noticed a large amount of silt and stiff gray clay under the coffin lid and over the man's remains, which were recorded at elevations of 7.28 feet in the east and 5.83 feet in the west. Excavators noted a layer of fill beneath the coffin, as though the grave had partially filled in with silt prior to placement of the coffin.

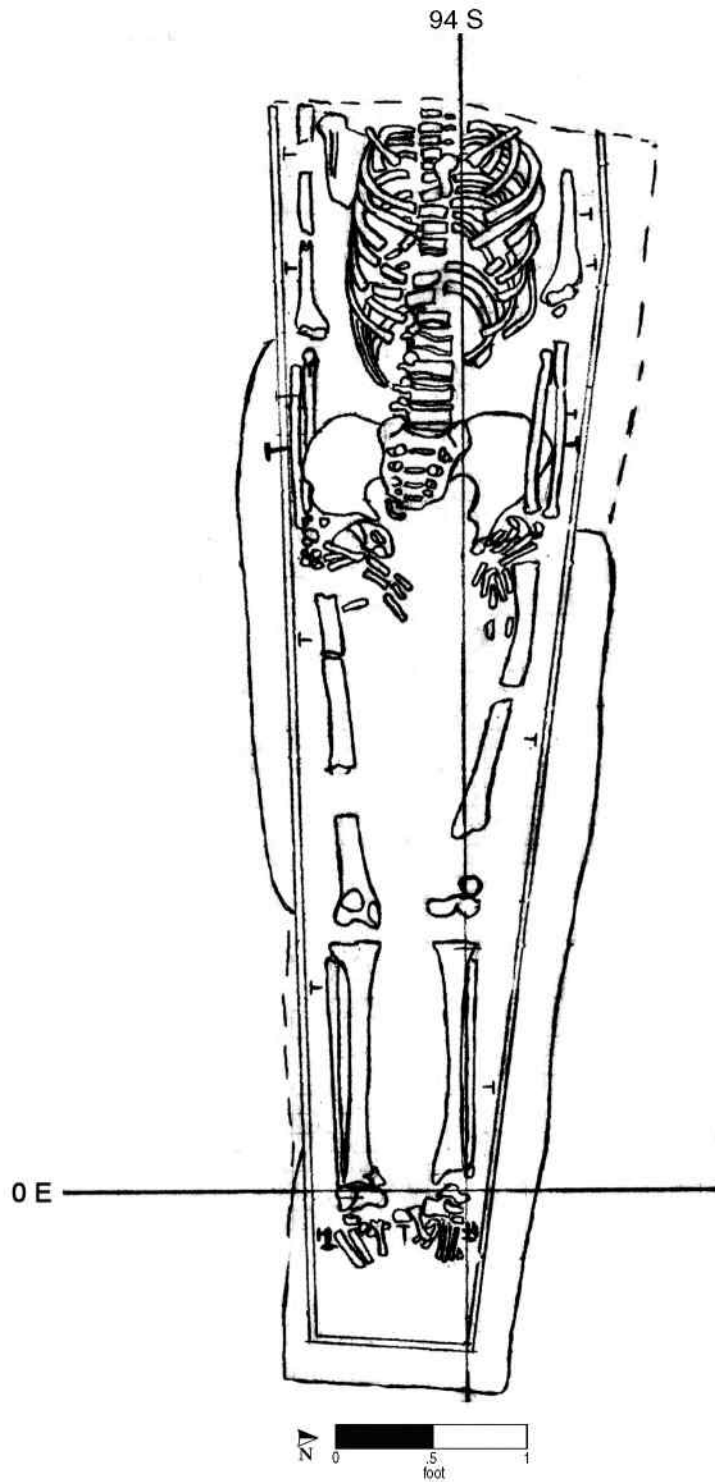
The coffin shape cannot be determined definitively because part of the south side was missing and there was slumping on the west side; based on a possible angle along the north side, it was probably hexagonal, and it clearly tapered toward the foot. The man was placed in the supine position, with his head to the west. His remains fit tightly within the coffin, with his arms resting at his sides and his hands resting over his pelvis.

The skeletal remains were in poor condition. The cranium and the left scapula were missing. The femurs were shattered and pulled apart, probably because of the disturbance to the west. The tibiae and fibulae were broken at the site of the north-south soil displacement noted above. Traces of straight pins were noted by excavators at the left foot and in the right lower rib area; pin fragments were later recovered during cleaning of the bones in the laboratory. No other artifacts were found in association with this burial.

Burial 60, which held an infant between 3 and 9 months old, lay atop the southeast edge of Burial 67. The north edge of Burial 67 cut into Burial 81, which in turn overlay Burial 88. Although the archaeological excavation trench for Burial 46 truncated the south sides of the grave shafts of Burials 60 and 67, it is not possible to determine whether the original Burial 46 grave shaft actually cut into them. Based on stratigraphic position, Burial 67 is placed in the latter part of the Middle Group.

*(continued on page 88)*

### Burial 67 (cont.)



*Burial No. 67 (drawn by M. Schur on 11/23/91; Drawing No. 261).*

## Burial 68

Series 3B

Catalog No. 807

Datum point: 13

Grid coordinates: S 91, E 0

Elevation of cranium: 5.93 feet AMSL

Temporal group: Early

Burial 68 yielded the remains of a man between 21 and 25 years of age. The grave was located in the western part of the excavated cemetery, at the corner of the former Republican Alley. Associated soil was described as mottled silty clay. The grave cut was obscured in the northeast and southeast due to excavation balks. No artifacts were recovered from the shaft fill.

The coffin was first encountered at an elevation of 6.58 feet, based on the nails recorded in the western part of the burial. The coffin bottom was reached at 5.68 feet in the west and 5.54 feet in the east. It was four sided and tapered at the foot, with the side boards, headboard, and footboard apparently sloping inward toward the bottom. Nails were recorded in situ at both top and bottom. Vertical nails

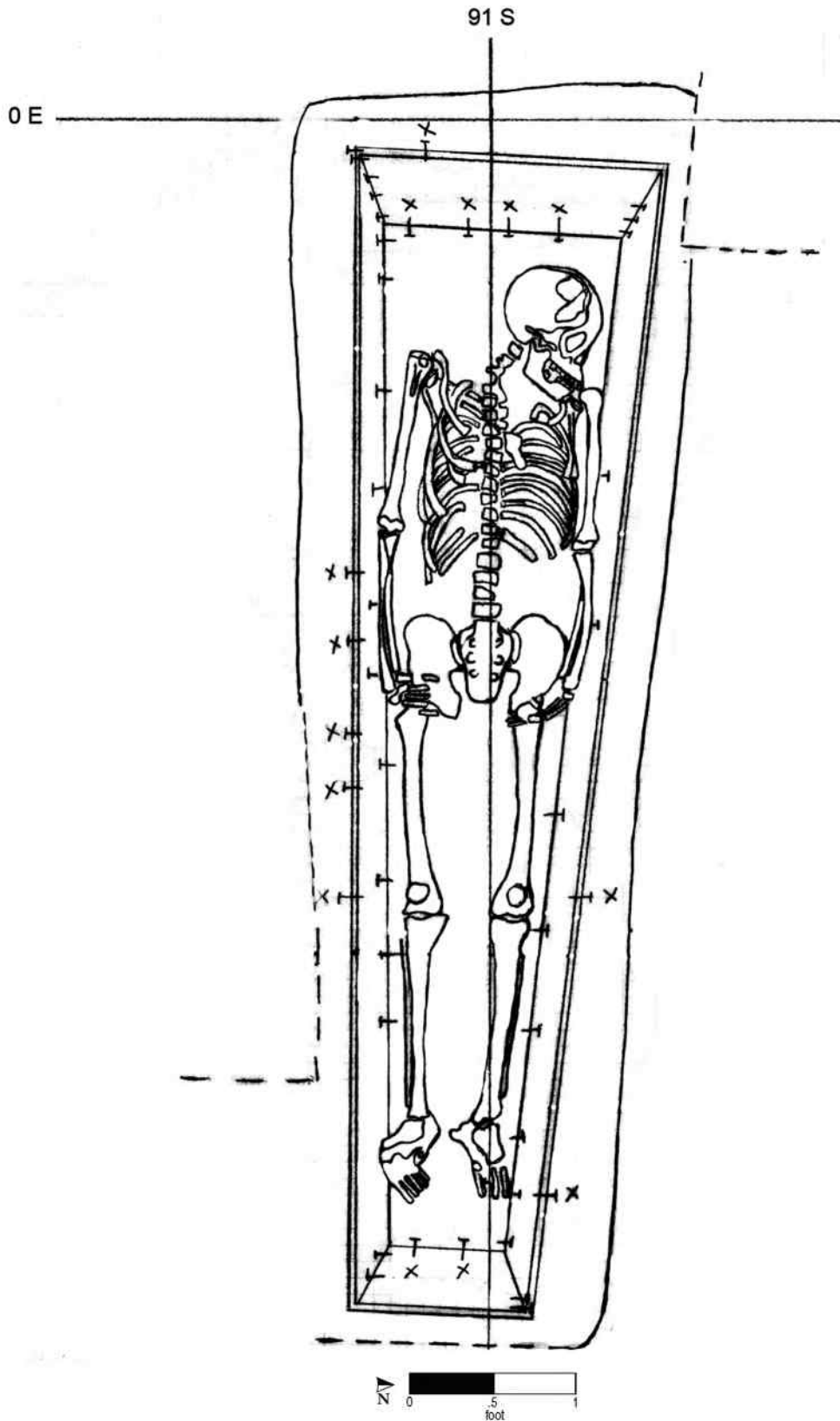
attached the lid to the sides. There were several nails at each corner of the head attaching the sides to the headboard. Vertical nails attached the bottom to the headboard and footboard, and horizontal nails attached the long sides to the bottom board. The coffin design is similar if not identical to that of Burial 23, which was located a few feet to the north. A wood sample from the Burial 68 coffin was identified as cedar; the woods used for the Burial 23 coffin were identified as red and white spruce.

The man had been placed in the supine position, with his head to the west and his hands resting over his pelvis. Skeletal remains were in good condition. Other than the coffin itself, there were no artifacts found in association with this burial.

Burial 68 was overlain in the southwest corner by Burial 55 by 0.64 feet and in the northwest corner by Burial 53 by 1.11 feet. Burial 70 lay immediately to the southeast, but the stratigraphic relationship between Burials 70 and 68 is unclear. Based on its stratigraphic position and the coffin shape, Burial 68 is placed in the Early Group.

*(continued on pages 90 and 91)*

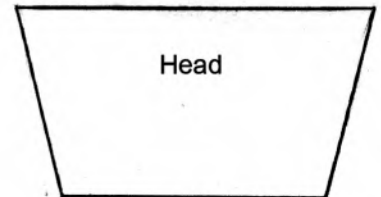
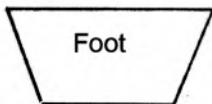
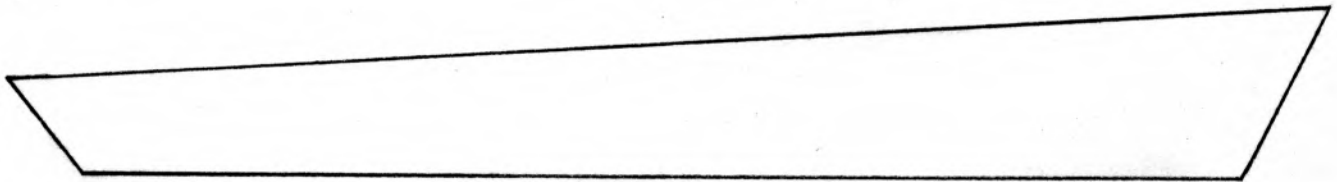
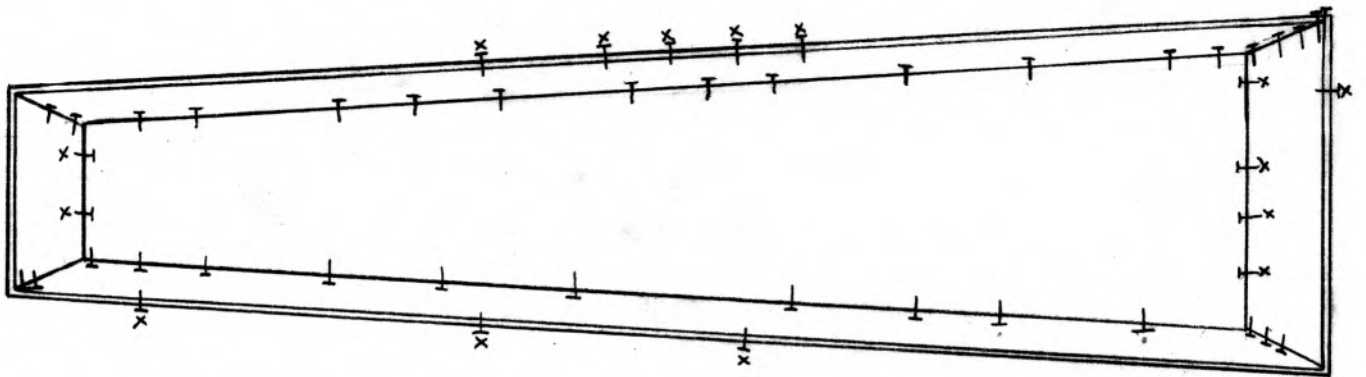
### Burial 68 (cont.)



Burial No. 68 (drawn by M. Schur on 11/23/91; Drawing No. 258).



Burial 68 (cont.)



Burial No. 68 (coffin reconstruction drawn by B. Ludwig on 11/22/91; Drawing No. 1048).

## Burial 69

Series 3B

Catalog No. 808

Datum point: 13

Grid coordinates: S 90, E 0

Elevation of feet: 6.53 feet AMSL

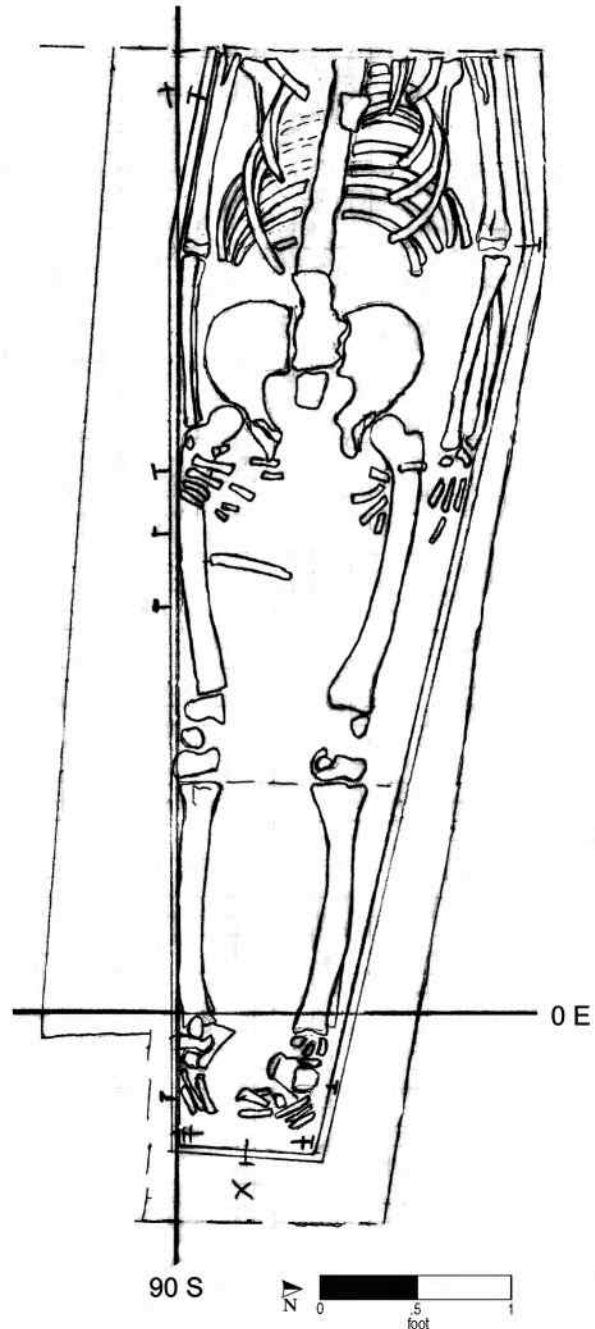
Temporal group: Middle

Burial 69 was of a man between 30 and 60 years old, located at the extreme western end of the excavated portion of the cemetery. The grave had been truncated on the west by the rear foundation wall of a building on Broadway; the skeletal remains from the shoulders to the head were missing. Like other burials along the rear of the Broadway buildings, the western part of the grave had shifted to a lower elevation than the eastern part as the result of construction disturbance. In the case of this burial, the shift downward was at the knees. The extant grave-shaft outline was recorded as straight sided, obscured at the southeast corner by another burial. The soil was described as sandy silty clay. No artifacts were recorded from within the grave-shaft fill.

The coffin was hexagonal in shape, and the wood sample taken was identified as spruce. Nails were recorded in situ around the perimeter, but the orientation of the nails (vertical or horizontal) at the lid is unclear from the field drawings. No nails or nail fragments were cataloged from this burial in the laboratory; it is likely they were mislabeled as belonging to another burial, although it is not possible to determine which one. Other than one sample of coffin wood, no material was cataloged from this burial.

The man had been placed with his head to the west, his arms at his sides, and his hands resting on his upper thighs.

Burial 69 was overlain at its southeast corner by Burial 53, which was of an infant. Based on stratigraphy, and in the absence of artifacts or other evidence to place it later, Burial 69 is assigned to the Middle Group.



Burial No. 69 (drawn by M. Schur on 11/26/91; Drawing No. 268).

**Burial 70**

Series 3a

Catalog No. 812

Datum point: 25

Grid coordinates: S 92.5, E 10

Elevation of highest skeletal remains: 5.98 feet AMSL

Temporal group: Middle

Burial 70 was of a man between 35 and 45 years of age. The grave had been truncated on the south side by a builder's trench for the foundation of a structure on the former Republican Alley. The remaining portion of the grave shaft was filled with dark gray-brown fine silt mottled with dark yellow and greenish fine silt. Two sherds of glass (one from a wine glass and one of window glass) were recovered from the grave shaft soil, but these items may have been introduced when the grave was disturbed. The outline of the grave cut for the burial was not apparent to excavators, probably due to the density of interments in this area. At the time this burial was being excavated, a balk ran along the northern wall, obscuring the grave-shaft outline.

The coffin lid was encountered at an elevation of 6.23 feet. As excavation continued, the man's skeletal remains were exposed, and it became clear that the builder's trench for the later foundation wall continued down through the entire burial, removing the southern portion of the coffin and much of the right side of the skeletal remains. The bottom of

the coffin was reached at an elevation of 5.63 feet. Its intact north side indicated that it was hexagonal in shape. A sample of coffin wood (taken from an unspecified location) was identified as cedar.

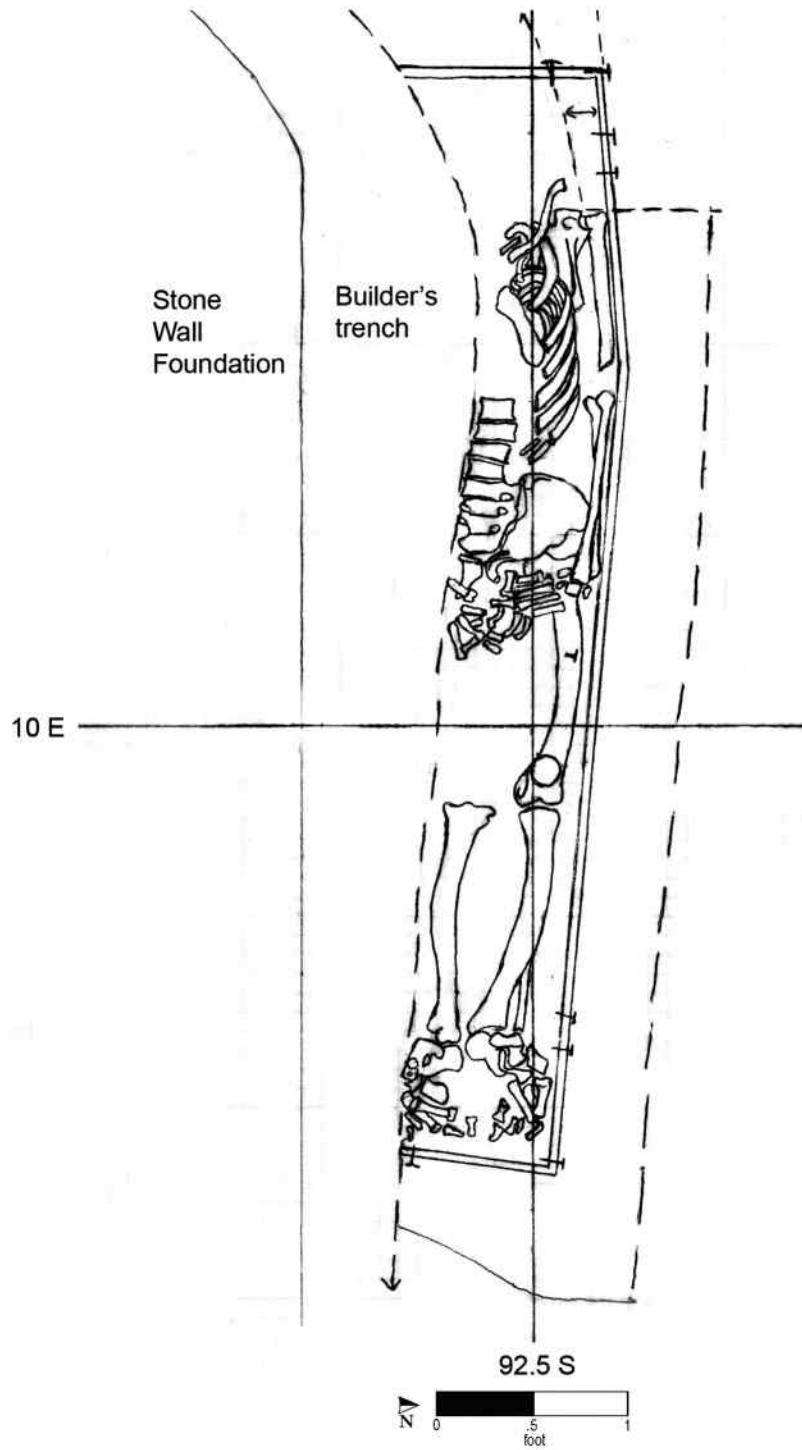
The man had been placed in the supine position with his head to the west and his hands resting over his pelvis. His skeletal remains were highly disturbed by the builder's trench, with the cranium, right femur, and upper right extremities missing. The man's left distal humerus was also disturbed by a clean, circular hole of unknown origin; a boring of some kind extended into the burial. This feature is visible in the photograph but not shown in the drawing.

Burial 70 was approximately 1.5 feet south and southwest of Burials 12 and 14 (excavated some 6 weeks prior to Burial 70), and excavators noted that it appeared to share their "grave cut." It is likely the notes actually refer to the archaeological excavation cut rather than the original grave shaft. Burial 78 underlay all three of these burials, with the top of Burial 78 lying 0.6 feet below the bottom of Burial 70. Burial 68 was located immediately adjacent to the northwest corner of Burial 70; no clear stratigraphic relationship is discernable from field records.

Based on stratigraphic position and the absence of evidence to place it later, Burial 70 is assigned to the Middle Group.

*(continued on page 94)*

### Burial 70 (cont.)



*Burial No. 70 (drawn by M. Schur on 11/21/91; Drawing No. 254).*

## Burial 71

Series 44

Catalog No. 813

Datum point: 19 (11.38 feet AMSL)

Grid coordinates: S 75, E 10

Elevation of cranium: 7.86 feet AMSL

Temporal group: Late

Burial 71 was of a woman between 25 and 35 years old. The grave was located at the rear of Lot 12, in the western portion of the excavated site. It was at the line of postholes marking the fence that once ran southwest to northeast across the cemetery. The grave-shaft outline, discernable along the north and south sides, was basically rectangular, bowing slightly at the sides. Disarticulated remains were discovered in the shaft fill of Burial 71. These were initially designated as Burial 62 but turned out to be from underlying Burial 76. These remains were drawn in plan view during excavation. The grave-shaft fill was described as mottled clay. Nail fragments found in the shaft fill were cataloged initially as coming from Burial 62 (now voided) but have been reassigned to Burial 76.

The coffin lid, hexagonal in shape, was first recorded at elevations of 8.28 feet (at the foot) to 8.58 feet (at the head). A wood sample from an unspecified location was identified as cedar. Nails were recorded in situ; including four at each corner attaching the sides to the headboard and footboard,



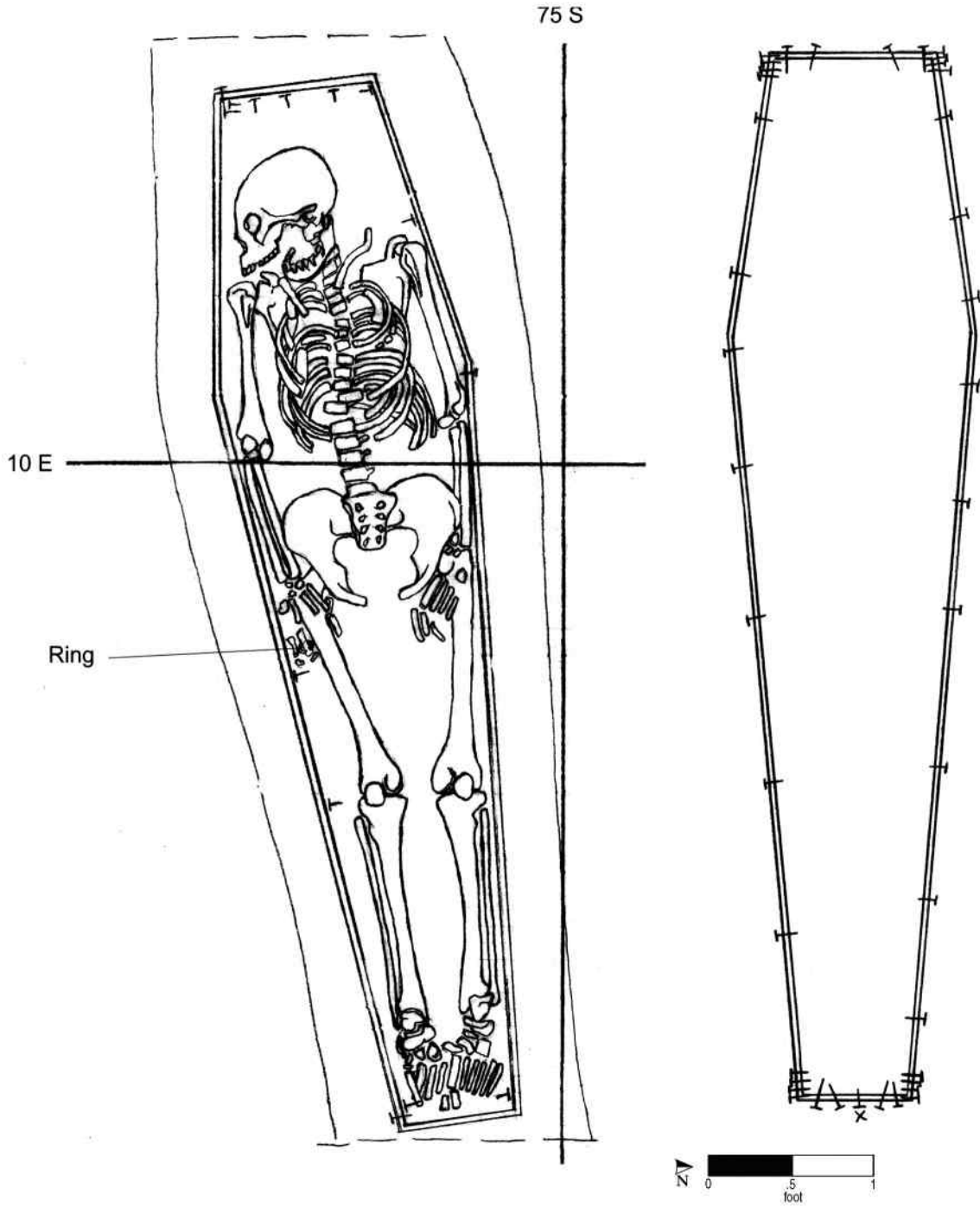
and a schematic profile of the coffin was produced. The skeletal remains were in good condition and complete. The woman had been placed with her head to the west, her arms resting at her sides and her hands on her hips. A plain, copper-alloy ring, 1.5 cm in diameter, was found on the third finger of her right hand. The presence of straight pins was noted in the field records, and the skeletal assessment indicated copper stains on the right innominate bone and the lateral surface of the right femur. Thirteen pin fragments were recovered from the burial, three with heads.

Burial 71 truncated the east end of Burial 65, that of a newborn, and also disturbed Burial 76. As noted above, many skeletal elements from Burial 76 were found within the grave shaft of Burial 71; they had been redeposited haphazardly, suggesting little regard for the prior burial.

Burial 71 was probably interred after the fence that once marked the north boundary of the cemetery had been destroyed, because it appears to span the projected line. Alternatively, it may have lain immediately against the north side of the fence. The two underlying burials were also probably interred after the removal of the fence, lying just north of the line. These graves were in place well before Burial 71. Burial 76, of an adult man with no coffin, may date to the British occupation of New York, in which case, it is hypothesized that Burial 71 must be dated even later, to the final years of the cemetery.

*(continued on page 96)*

### Burial 71 (cont.)



Burial No. 71 (drawn by M. Schur on 12/2/91; Drawing No. 280 [coffin reconstruction drawn by B. Ludwig on 12/7/91, Drawing No. 1049]).

## Burial 72

Series 8

Catalog No. 814

Datum point: 15

Grid coordinates: S 87.5, E 34

Elevation of cranium: 6.29 feet AMSL

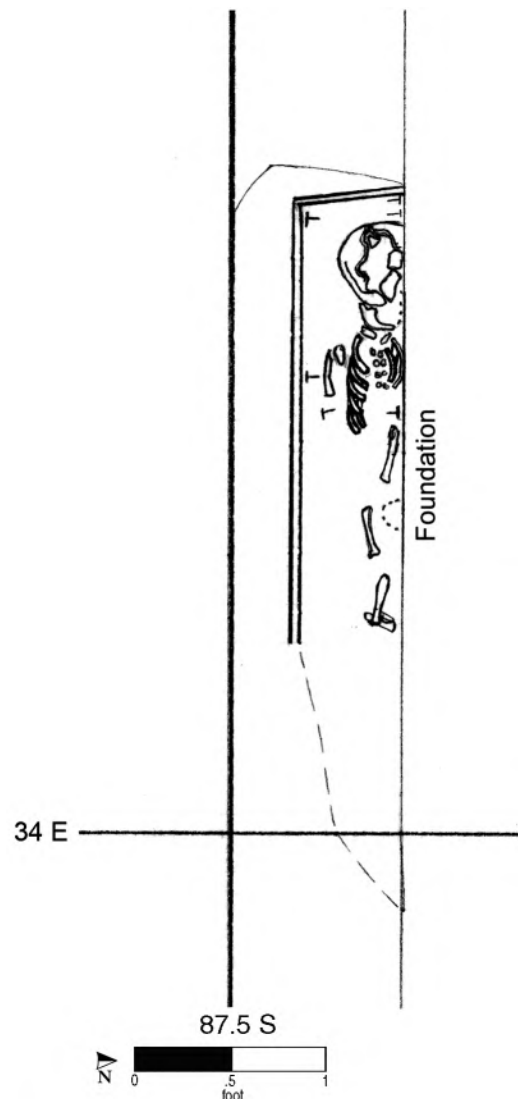
Temporal group: Early?

Burial 72 contained the remains of a child between 1 and 2 years old. The grave-shaft fill consisted of yellow gray and reddish brown silty clay and was truncated along the north side by the stone foundation for a building at No. 13 Duane Street. Recording of the excavation began at an elevation of 6.16 feet. A sherd of delft and one of stone-ware were recovered from the grave-shaft fill. At the point where the coffin and skeletal elements became visible, the grave-cut outline was recorded as extending approximately 1.5 feet westward of the cranium. It is thus possible that Burial 72 was within a larger grave, perhaps containing Burial 84, which lay below.

The coffin outline was not well defined but appeared rectangular in shape. Six nails were illustrated in situ along the perimeter of the remaining portion of the bottom, at elevations of 6.16 feet in the southwest corner and 5.89 feet in the central portion of the burial. No sample of coffin wood was recovered.

The deceased had been placed in the supine position with the head to the west. Skeletal remains were in poor condition and incomplete; construction of the stone foundation apparently removed portions of the left side, and an unknown disturbance to the east removed the lower extremities. The skull was crushed, and only portions of the vertebrae and ribs were present. The long bones were fragmented, and the left humerus and ulna were missing. Straight pins were noted in the field, but their locations were not indicated; several fragments were recovered.

Burial 72 lay 0.46 feet directly above Burial 83, and the latter in turn overlay Burial 84 by 0.81 feet. It is considered possible that Burials 72 and 83 were both deliberately placed in the grave with Burial 84. Burial 84 is placed in the Early Group by virtue of its coffin shape, and the two overlying burials are tentatively assigned to the Early Group as well.



Burial No. 72 (drawn by M. Schur on 11/21/91; Drawing No. 256).

## Burial 73

Series 41

Catalog No. 815

Datum point: 19 (11.38 feet AMSL)

Grid coordinates: S 79, E 10

Elevation of cranium: 7.28 feet AMSL

Temporal group: Middle

Burial 73 was identified as a probable woman between 20 and 30 years of age. The grave was located in the rear of Lot 12 in the western part of the excavated cemetery. It appears to have lain just south of the projected line of fence postholes that marked what was once the northern boundary of the cemetery. Shaft fill was described as very moist clay, and several stems of clay tobacco pipes, a sherd of a wine bottle, and an iron nail were all found interspersed in the grave-shaft fill. None of these items were temporally diagnostic.

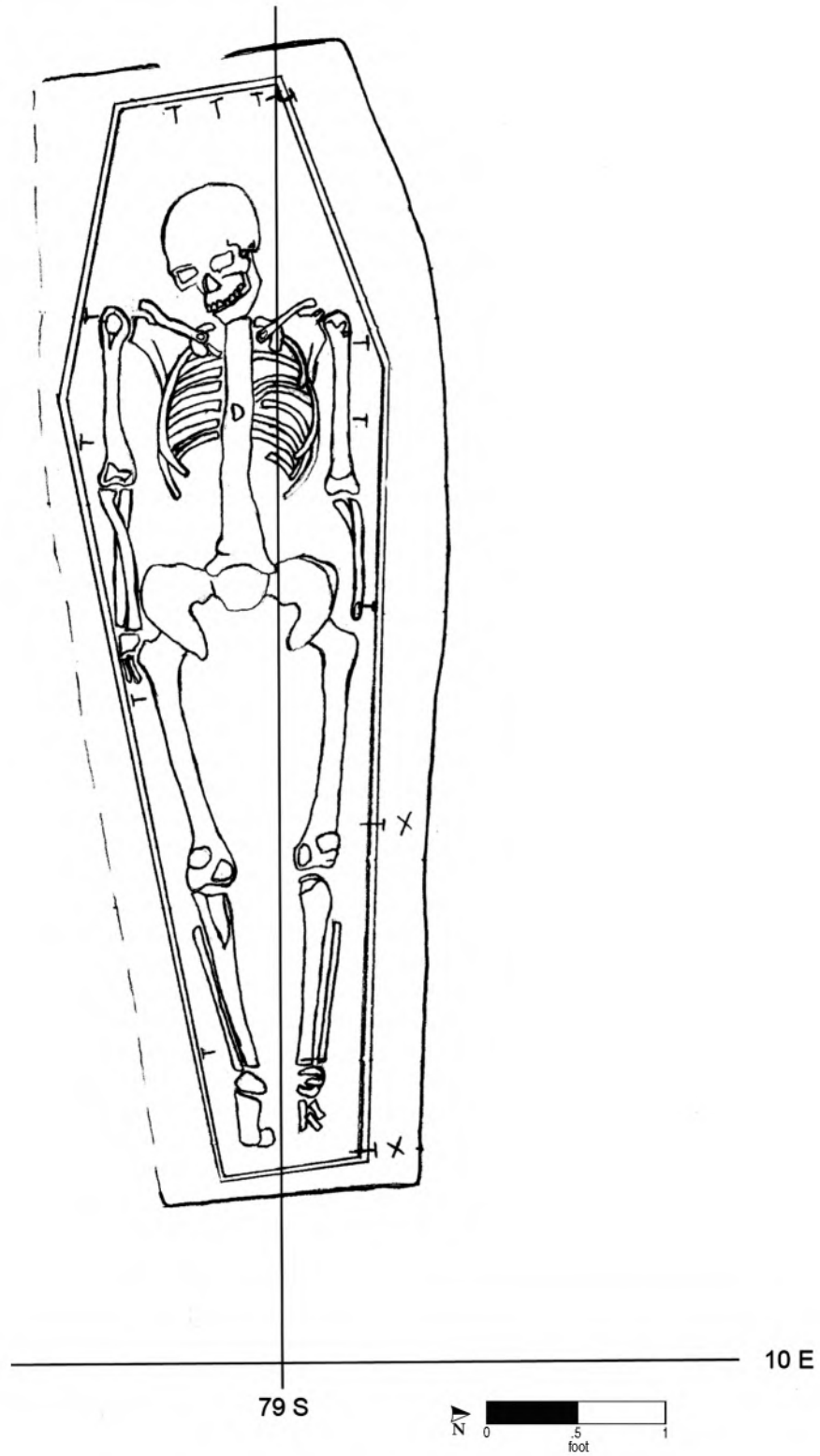
The woman's coffin was hexagonal in shape. The elevation of the lid was recorded at 7.43 feet and its bottom at 6.78 feet. Nails were recorded in situ around the perimeter, mainly at the bottom. The

woman had been placed in a supine position, with her head to the west and her arms and hands at her sides. According to the excavators, the bone preservation was fair but very susceptible to damage during excavation because of the high moisture content of the soil. The excavators noted that the ends of the long bones were damaged. Some of the missing skeletal elements listed were both pubic bones, carpals (wrist bones) from both hands, and both proximal humeri. A number of straight pins and pin fragments were recovered from the burial. These were found on the left temporal, left mandible, left innominate, occipital (bone at the back and base of the cranium), and right distal femur.

Burial 90 was immediately south of Burial 73 and slightly lower in elevation. It appears from field notes and drawings that the north edge of the grave shaft for Burial 90 cut into the south edge of the Burial 73 grave shaft; hence, Burial 90 is a later interment. Based on stratigraphy and lacking evidence from artifacts, the coffin, or the location that would place it earlier or later in time, Burial 73 is assigned to the Middle Group.



Burial 73 (cont.)



Burial No. 73 (drawn by M. Schur on 11/30/91; Drawing No. 273).

## Burial 74

Series 39

Catalog No. 816

Datum point: 14A (8.58 feet AMSL)

Grid coordinates: S 80, E 13

Elevation of coffin lid: 6.99 feet AMSL

Temporal group: Middle

There were no human remains found in Burial 74. The grave was located at the rear of Lot 12 along a line of densely spaced burials that appears to mark what was at one time the northern extent of the cemetery. The line of postholes from a fence that is believed to have marked the boundary lies about 2 feet to the north of the burial. The grave-shaft outline from Burial 74 was rectangular in shape, with very squared corners. The grave-shaft fill was not recorded, and no artifacts were recovered from it.

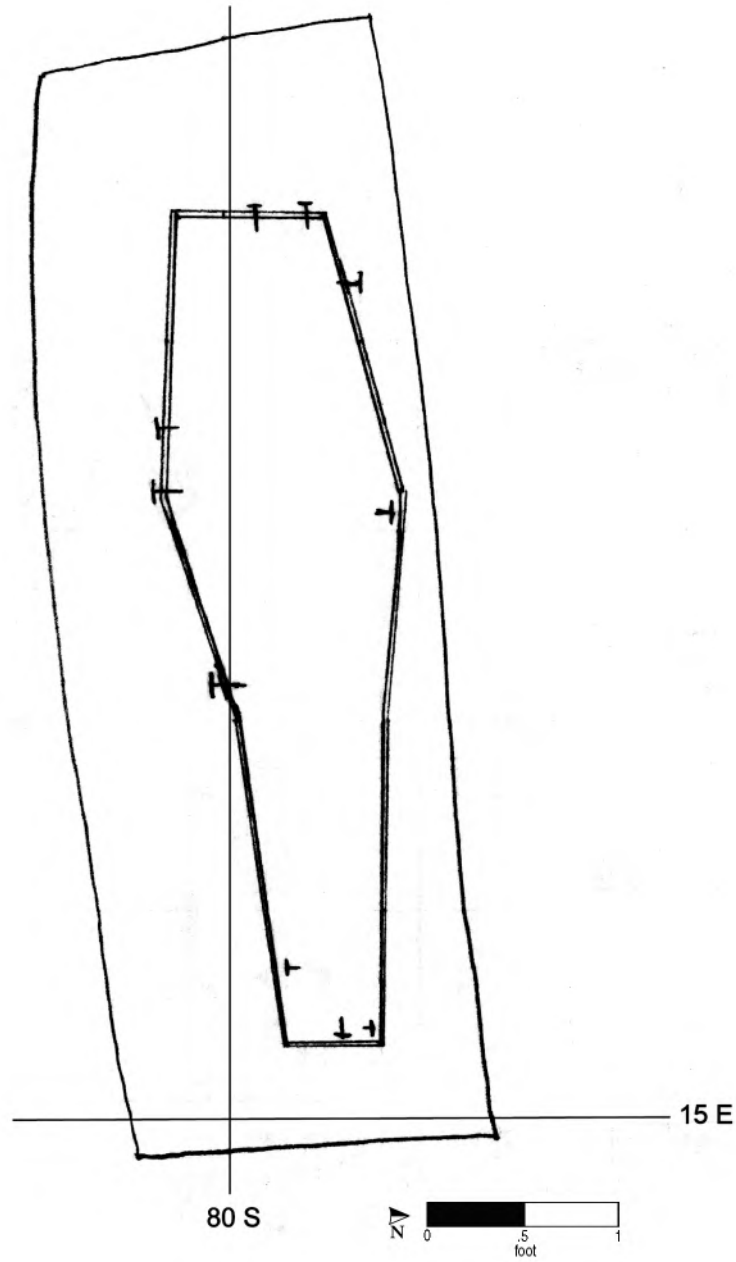
The shape of the coffin was hexagonal, with the head end to the west. It was approximately 4.5 feet long, suggesting that it had held a child. The elevation of the coffin lid was recorded at 6.99 feet and the bottom at 5.13 feet. Nails were recorded in situ around the perimeter but only at the bottom. A

possible tack had been set aside in the laboratory to be X-rayed but was not recovered after the World Trade Center collapse on September 11, 2001. There were no artifacts in association with this burial other than the coffin itself.

Considering that most burials with extremely poor bone preservation, even of young children, had at least one or two teeth remaining, the complete lack of skeletal remains is significant. Either preservation was particularly poor in this location for unknown reasons, or, alternatively, this burial was of an empty coffin or the remains were removed following interment.

Burial 85 was directly east of the foot end of Burial 74. Field photographs show Burial 85 extending deeper after the prior removal of Burial 74. The east edge of the grave shaft of Burial 74 was recorded as undisturbed, although it overlay or cut into the west end of Burial 85. It is thus likely Burial 85 was the earlier of the two interments. Burial 74 appears to be from a period when a fence was standing, evident from the clustering of burials along the line. It is assigned to the Middle Group, although it may belong in the later part of that cohort.

Burial 74 (cont.)



Burial No. 74 (drawn by S. H. on 11/23/91; Drawing No. 259).

## Burial 75

Catalog No. 817

Datum point: 15

Grid coordinates: S 92.5, E 34

Elevation of highest skeletal remains: 5.99 feet AMSL

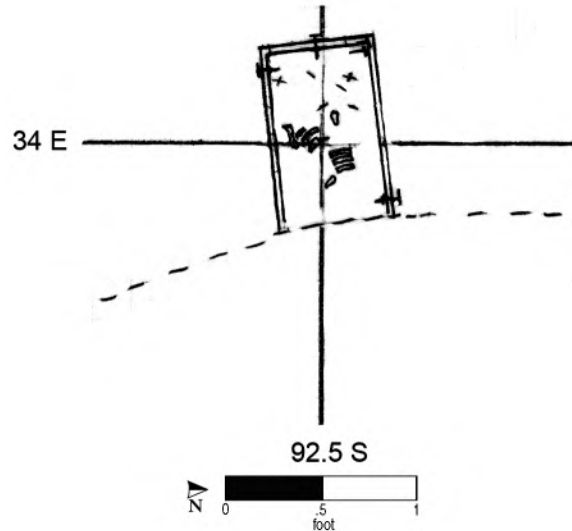
Temporal group: Middle

Burial 75 held the remains of a newborn or still-born baby. The grave-shaft fill consisted of mottled yellow gray and reddish brown silty clay. Only the western portion of the grave was found; no explanation for the destruction of the eastern portion was suggested by the excavators. It is possible it was disturbed during machine clearing of the former Republican Alley area, as this was apparently a relatively shallow grave.

The coffin lid was at an elevation of 6.14 feet, and the bottom was at 5.94 feet along the west edge. What remained of the lid suggested it had been rectangular in shape. Five nails were recorded in situ, at the corners, in the center of the headboard, and along the north side. The infant's head may have been placed to the west, but this is unclear because of poor preservation of the remains. The remains consisted of clavicle and rib fragments and two small teeth. Pins were also recorded in the west

end of the coffin; 2 pin heads and 13 additional fragments of pins were cataloged in the laboratory.

Burial 75 did not overlap with any other burials. It lay at a higher elevation than others in the area, but the fact that it was of an infant may account for the shallow grave. Lacking evidence to place it earlier or later in time, the burial is assigned to the Middle Group.



Burial No. 75 (drawn by M. Schur on 11/21/91; Drawing No. 257).

## Burial 76

Series 44

Catalog No. 819

Datum point: 19 (11.38 feet AMSL)

Grid coordinates: S 75, E 10

Elevation of highest skeletal remains: 8.33 feet AMSL

Temporal group: Late

Burial 76 was of a man between 25 and 55 years old. It was located at the rear of Lot 12, just to the north of a row of postholes thought to mark a fence line that once delimited the north boundary of the burial ground. The grave had been cut into and disturbed by a later interment (Burial 71), and numerous skeletal elements from Burial 76, including an intact cranium, were found in the latter burial's grave-shaft fill. These displaced bones were initially given a separate number (Burial 62, since voided). Only the left hand, left leg and foot, and right lower leg and foot bones remained in place within the grave of Burial 76.

Burial 76 had no coffin. The grave shaft, which was initially delineated at an elevation of 8.88 feet, had been dug with a straight eastern end, the sides bowing out. The grave-shaft fill was described as mottled clay and silt and the subsoil simply as sandy. In situ skeletal remains were first exposed at an elevation of 8.33 feet, at the proximal end of the left femur.

Artifacts associated with Burial 76 included ceramic sherds (stoneware and redware), a whole 3-inch nail and a number of nail fragments, and

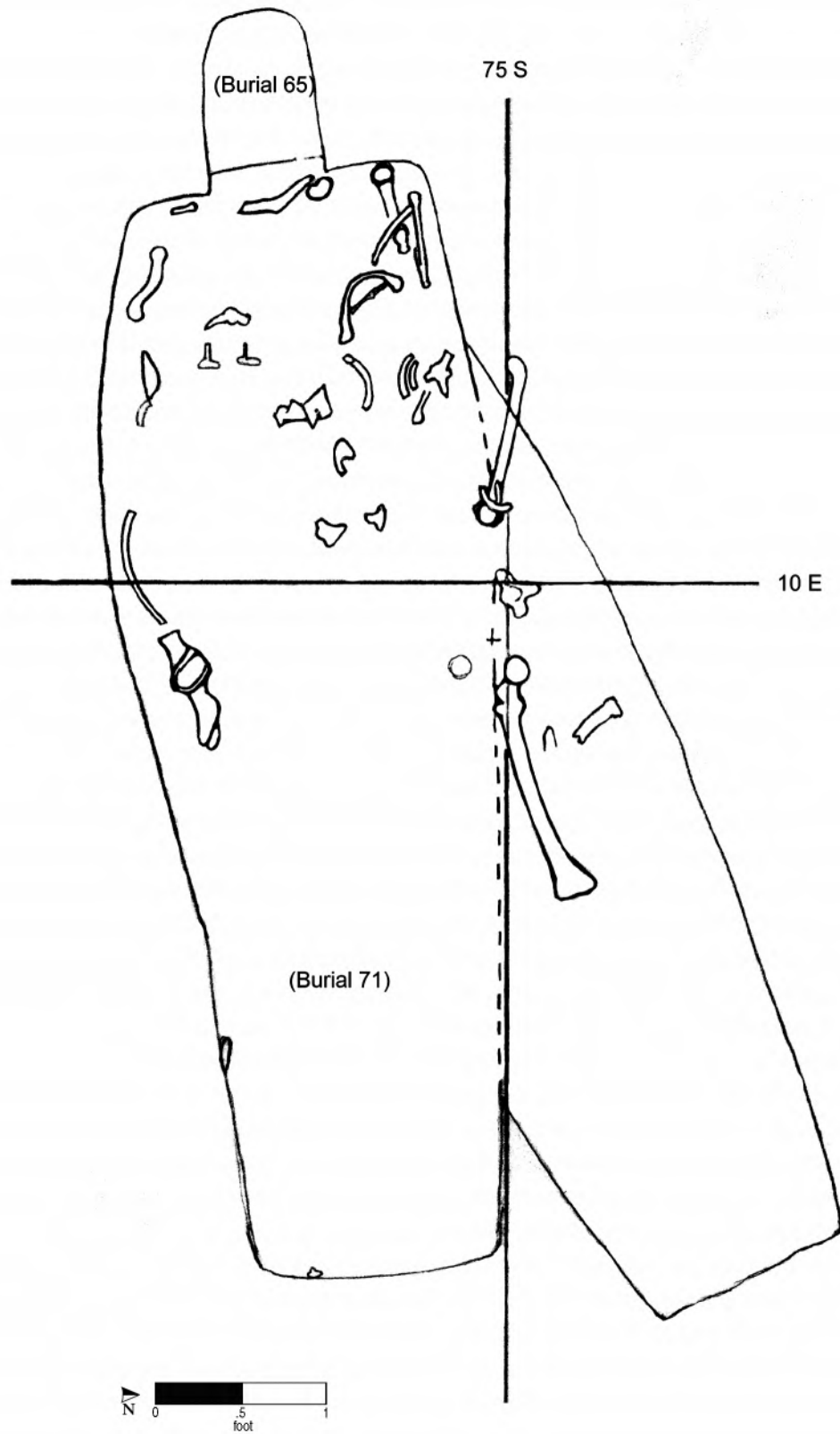
a 1.7-cm-diameter piece of lead shot (a musket ball?); these items, in particular the ceramic sherds, may have been present in the soil matrix when the grave shaft was filled. Some may also be intrusive from Burial 71. Because the lead shot may have been related directly to the skeletal remains, it was included with them in the reburial. The nail, which also may have been deliberately placed with the corpse, was not recovered after the collapse of the World Trade Center on September 11, 2001.

Burial 76 clearly predated Burial 71. As noted above, many skeletal elements from Burial 76 were found within the grave shaft of Burial 71; they had been redeposited haphazardly, suggesting little regard for the prior interment. Burial 71 also had truncated the east end of Burial 65, that of a newborn.

It is possible that Burial 76, which lay immediately north of the fence line, dated to the time the fence was standing, although Burial 71, which lay immediately along the fence alignment, probably dated to when the fence was gone. This would place Burial 76 in the period of the 1760s–1776 and Burial 71 in the period of the British occupation or later (1776–1794). It seems more likely that all of these burials are from the late period, after the fence had been destroyed; although clearly, Burial 71 is the latest of the three. Burial 76, of an adult man with no coffin, probably dates to the period of the British occupation of New York. It is hypothesized that the subsequent Burial 71 dates to the final decade of the cemetery, ca 1783–1794.

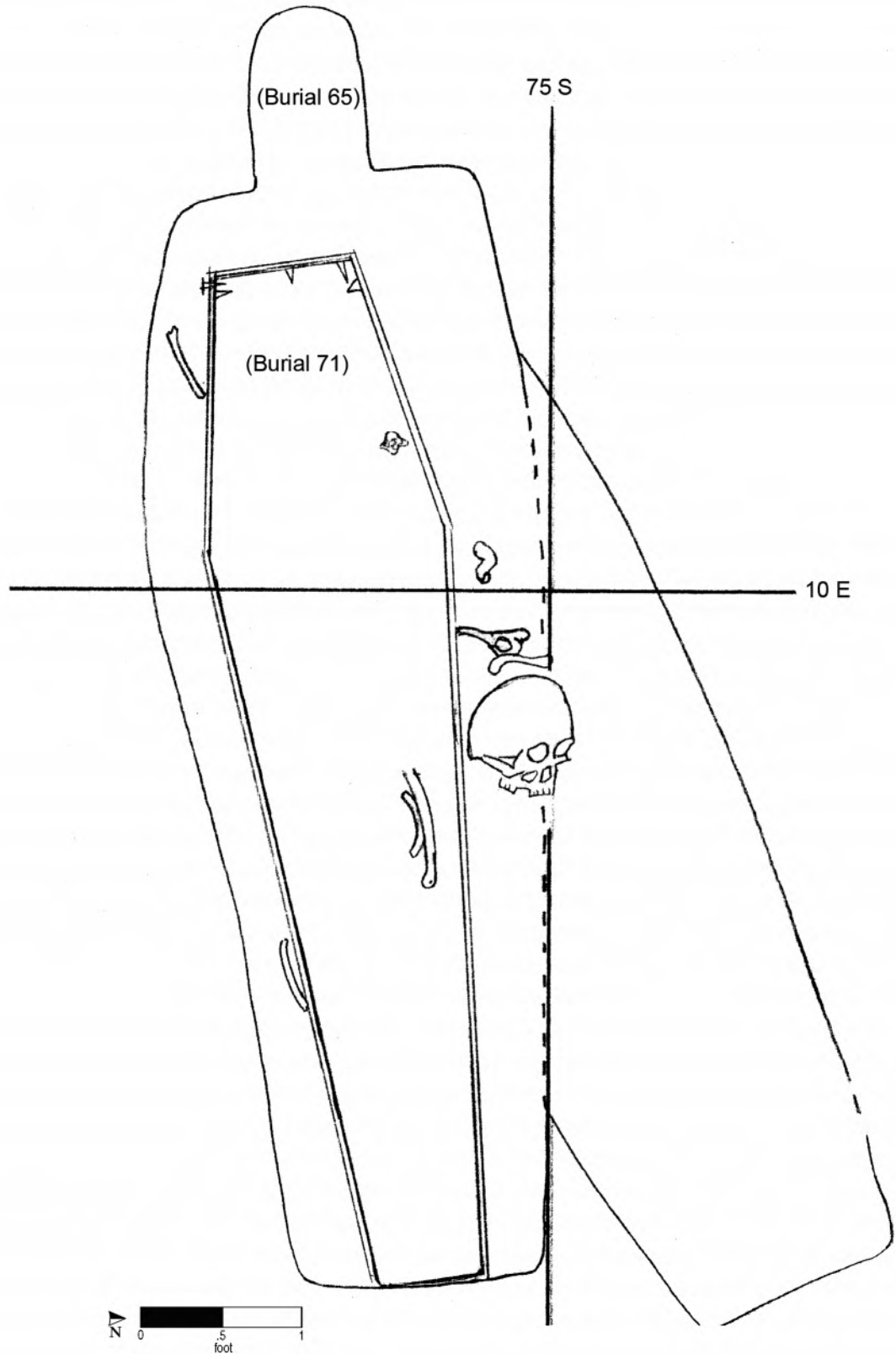
*(continued on pages 104–106)*

### Burial 76 (cont.)



*Burial No. 76 (remains in shaft of Burial 71; drawn by G. H. and P. Freeman; Drawing No. 245).*

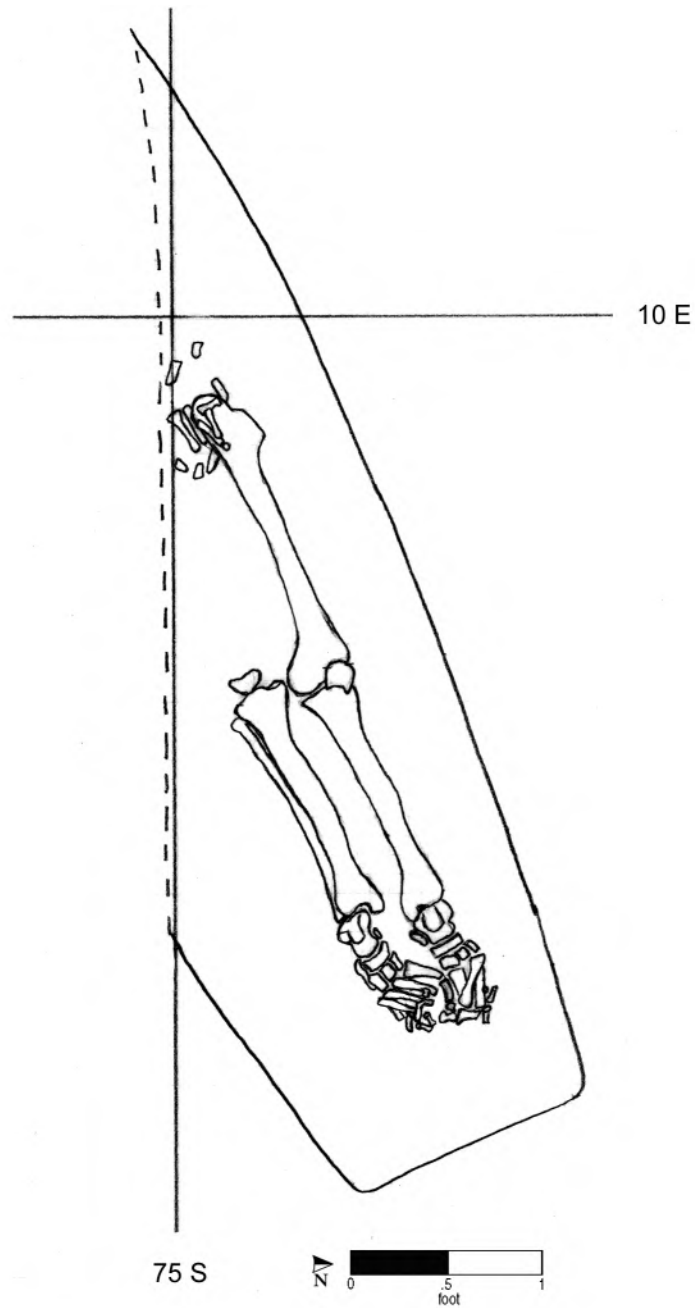
Burial 76 (cont.)



Burial No. 76 (remains in shaft of Burial 71; Drawing No. 264).

(continued on page 106)

## Burial 76 (cont.)



Burial No. 76 (drawn by M. Schur and G. H. on 11/26/91; Drawing No. 263).



### Burial 77

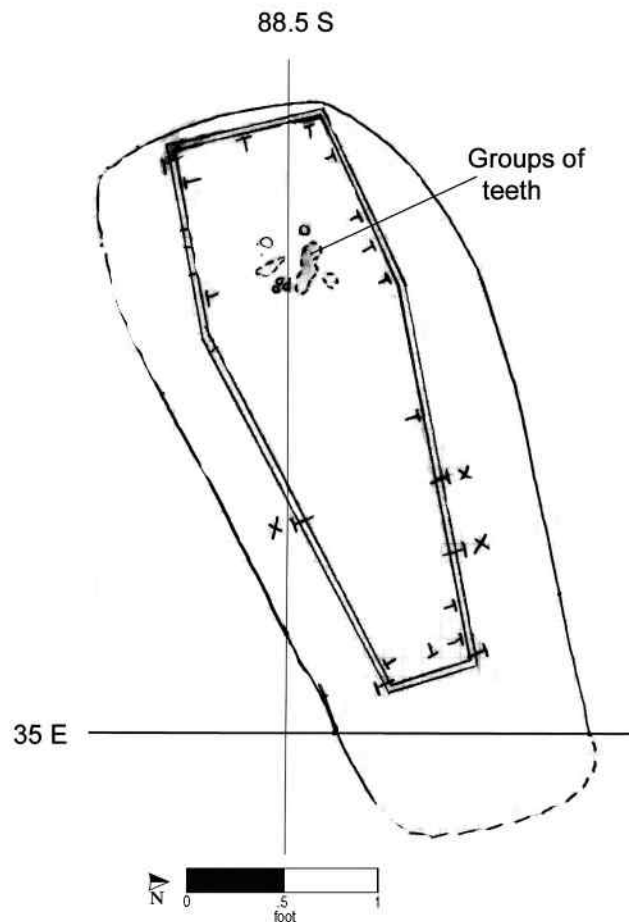
Series 8  
 Catalog No. 820  
 Datum point: 37  
 Grid coordinates: S 88.5, E 35  
 Elevation of highest skeletal remains: 5.26 feet AMSL  
 Temporal group: Middle

Burial 77 was of a child approximately 1 year old. The grave was located in the former Republican Alley, at the rear of Lot 13. Its shaft fill consisted of mottled soils, and the grave outline was distinctly visible except for the eastern end; no artifacts were recovered from the fill.

The child's coffin was hexagonal in shape, apparently with the head end to the west. Remains of the

lid were encountered at an elevation of 5.81 feet in the northwest, 5.66 feet in the southeast corner, and 5.21 feet in the center. The skeletal remains were first exposed at an elevation of 5.26 feet in the western portion of the burial, and the coffin bottom was at 5.26 feet in the northeast corner. The remains were in extremely poor condition, with only three teeth and bone fragments present. No artifacts other than the coffin itself were recovered from Burial 77. A sample of the coffin wood was identified as pine.

The grave shaft for Burial 77 appears to have cut into the south side of the grave shaft for Burial 84, which is an Early Group interment to the north. Lacking evidence that would place it later in time, Burial 77 is assigned to the Middle Group.



Burial No. 77 (drawn by M. Schur on 11/24/91; Drawing No. 262).

## Burial 78

Series 3a

Catalog No. 821

Datum point: 25

Grid coordinates: S 91, E 10

Elevation of cranium: 4.31 feet AMSL

Temporal group: Early

Burial 78 yielded the remains of a young adult, 16–19 years old, of undetermined sex. The grave was located near the corner of the former Republican Alley in the western part of the excavated site. The outline of the grave cut was not apparent to excavators until after they began excavating the coffin lid. Soil surrounding the coffin was described as mottled silty clay; no artifacts were recovered from within the fill.

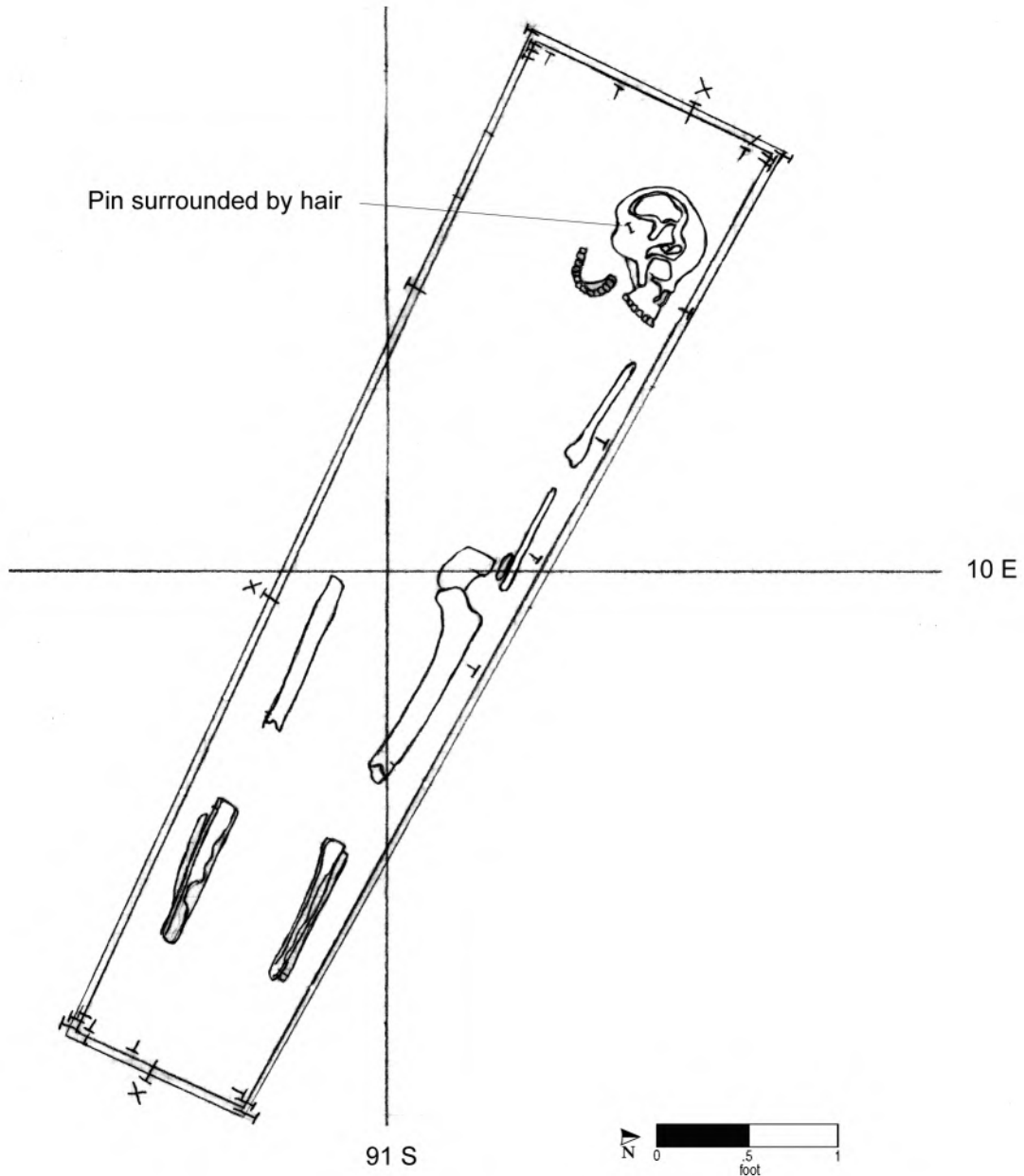
The coffin lid, four sided and very slightly tapered toward the foot, was encountered at an elevation of 5.03 feet. Four horizontal nails were found in situ, one in each western corner and one in each eastern corner. These attached the headboard and footboard to the sides. Three vertical nails were also recovered in situ at this elevation, one at the headboard and two on the south side, apparently attaching the coffin lid to the side boards. A metal object was also recorded on the coffin lid, but it was never cataloged in the lab.

As excavation exposed the skeletal remains, the bottom of the coffin was uncovered at an elevation of 3.91 feet. Field drawings indicate that there were three nails in each coffin corner attaching the side boards to the headboard and footboard at the coffin bottom. Eleven additional nails are also indicated at the bottom of the coffin, four along the north side, two along the eastern footboard, two along the south side, and three along the west headboard.

The deceased had been placed in the supine position with the head at the west. The head of this individual was oriented considerably more northerly than in surrounding burials. Skeletal remains were highly eroded and in extremely poor condition, with only portions of the skull and long bones preserved. A single straight pin, surrounded by hair, was recorded in situ on the right temporal bone; this item was never cataloged in the lab. No other artifacts were found in association with this burial.

Burial 12, a late interment, overlay the north side of Burial 78, with 0.75 feet intervening between the bottom of Burial 12 and the top of Burial 78. Burial 70 overlay the southeast corner of Burial 78 by 0.6 feet. Because of its coffin shape, general preservation condition, and stratigraphic position, Burial 78 is placed in the Early Group.

Burial 78 (cont.)



Burial No. 78 (drawn by M. Schur on 11/26/91; Drawing No. 270).

## Burial 79

Series 41

Catalog No. 822

Datum point: 19 (11.38 feet AMSL)

Grid coordinates: S 82, E 5

Elevation of highest human remains: 7.88 AMSL

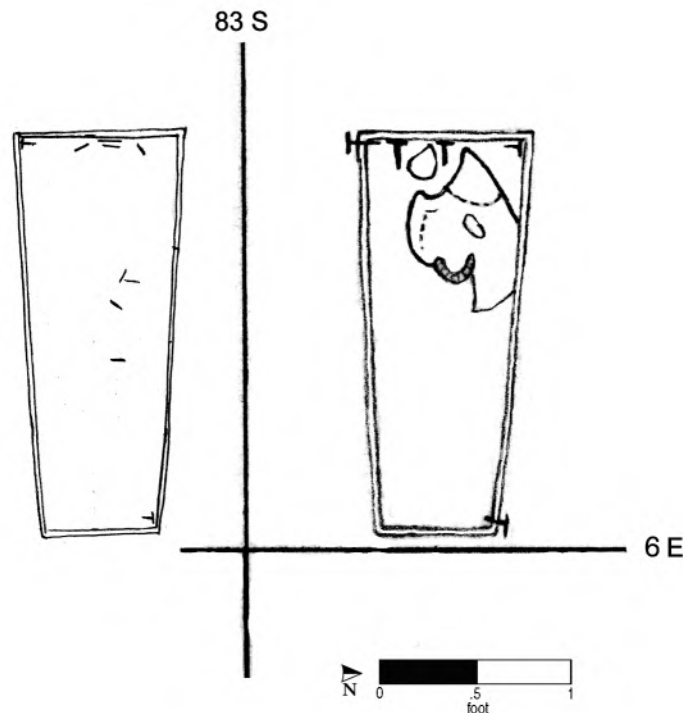
Temporal group: Middle

Burial 79 was of an infant between 3 and 9 months old. It was located along the north edge of the former Republican Alley in the westernmost portion of the excavated cemetery. Only portions of the skull remained. Soil associated with the burial was described as reddish brown silt and clay. A grave shaft was not delineated.

Based on the location of cranial bone, the infant had been placed with the head to the west. The coffin was four sided, tapering toward the foot; the excavators recorded in situ nails at the head and one at the foot. Several straight pins were recorded

as well, near the top of the cranium and in the presumed chest area. Three pin heads and several fragments were inventoried in the laboratory.

Burial 8 was apparently adjacent to Burial 79 to the south and was lower in elevation; however, due to a recording error, its relationship to Burial 79 cannot be determined. Burial 79 overlay the southeast portion of Burial 90, which was of a woman in her late 30s. Neither burial is mentioned in the field notes of the other. They appear to have shared a single grave, although the infant's coffin was offset to the south and there was 0.75 feet of soil intervening between the two, which suggests they were not interred at the same time. Both burials lay 2 or more feet beneath the north edge of Burial 1, which is assigned to the Late Group. Burial 90 had a hexagonal coffin and is assigned to the Middle Group. Burial 79 is also assigned to the Middle Group; neither Burial 79 nor 90 have evidence to place them in the Late-Middle cohort.



*Burial No. 79 (drawn by B. Keane and T. Gray on 11/27/91 and 11/30/91; Drawing Nos. 278 and 277).*

### Burial 80

Catalog No. 823

Datum point: 32

Grid coordinates: S 87.5, E 40

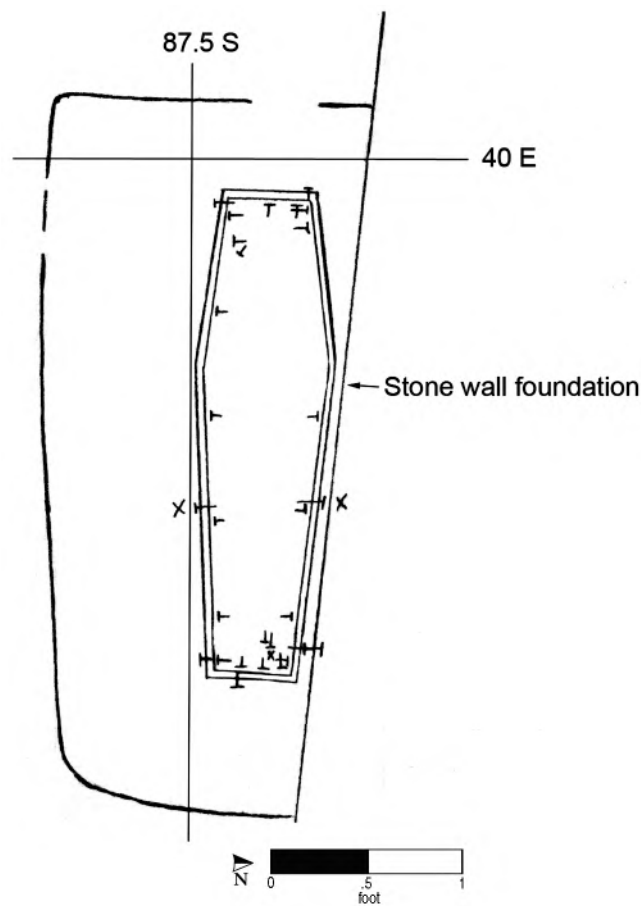
Elevation of highest skeletal remains: 3.61 feet AMSL

Temporal group: Middle

Burial 80 was located along the north edge of the former Republican Alley, adjacent to the stone foundation for a structure on Lot 13. It held only coffin remains and a tooth fragment from a sub-adult of undetermined age and sex. The grave-shaft fill consisted of red sand and gravel mottled with gray clay. The northern side of the grave cut was beneath, or had been truncated by, the foundation. No artifacts were recovered from the shaft.

The child's coffin lid was first encountered at approximately 4 feet and the bottom at an elevation of 3.61 feet. The coffin was six sided, and numerous nails were recorded in situ around the perimeter at both top and bottom. The head end was to the west. Other than the coffin itself, no artifacts were found in association with this burial. A fish scale was recovered from a soil sample collected from the interior of the coffin.

Burial 80 was not directly associated with any other burials but was possibly aligned with Burials 49 and 39 to the south. It lay about a foot lower in elevation than Burial 49 and at a comparable elevation to Burial 39. Burials to the east and west were generally higher in elevation. Lacking evidence to place it later in time, Burial 80 is assigned to the Middle Group of burials.



Burial No. 80 (drawn by M. Schur on 11/26/91; Drawing No. 267).

## Burial 81

Series 4

Catalog No. 824

Datum point: 13

Grid coordinates: S 95.5, E 0

Elevation of highest skeletal remains: 6.93 feet AMSL

Temporal group: Middle

Burial 81 held the remains of a woman of undetermined age. The western end of the grave was truncated by a builder's trench for a Broadway structure. The northwest corner of the coffin was observed, at an elevation of 6.48 feet, after the removal of the bottom of the Burial 54 coffin. Soil in the grave was described as mottled yellow and green silt with pebbles, from which no artifacts were recovered.

The woman's remains were reached at elevations of 6.93 feet in the east to 5.73 feet in the west; the coffin bottom was at 5.63 feet at the west end. As in other burials in this area of the site, there was a vertical drop in elevation from east to west, along a line running north-south through the burial, near the proximal ends of the femurs. This "fault" line was probably the result of construction of a large building on Broadway.

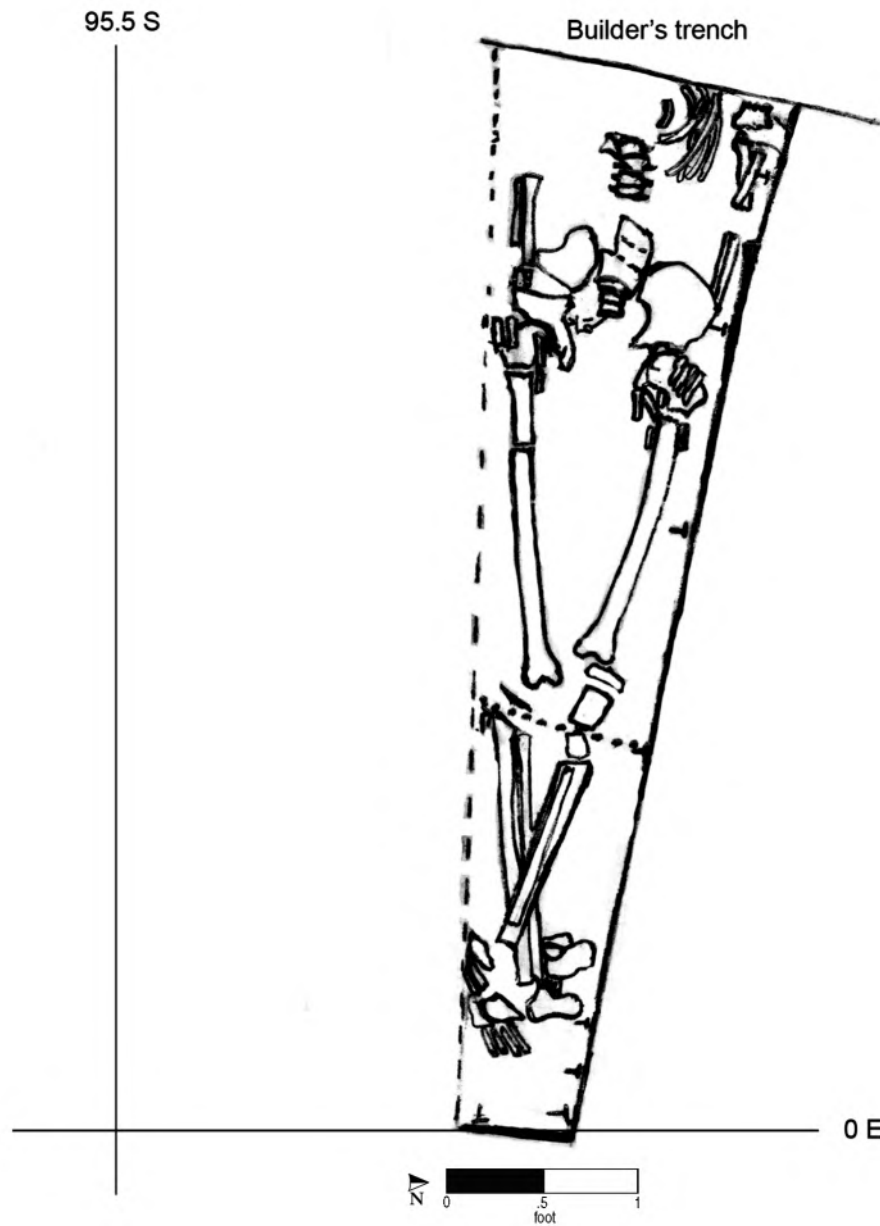
It is not possible to reconstruct the coffin shape definitively because the west end was missing

and the south side apparently had been disturbed or truncated during a later interment (Burial 67). Based on the position of the skeletal remains, the coffin must have tapered toward the foot. The woman was interred in the supine position, with her head to the west, her arms at her sides, and her left leg crossed over her right leg at the ankles. The builder's trench had removed the skull and most of the upper torso. Remaining portions of vertebrae were described as "mushy" and yellow and were underlain by a black gritty material. Some of the woman's pelvic bones were decomposed. The bone itself was in extremely poor condition; the surface was pulling off.

Artifacts associated with Burial 81 included numerous coffin nails found in situ. These included one vertical nail along the foot (apparently attaching the coffin lid to the footboard), two horizontal nails along the left side at the top of the coffin, and eight horizontal nails along the left side and foot at the bottom. One straight pin was observed within the coffin, near the distal end of the right ulna, but was not recoverable.

As noted, Burial 67 had truncated Burial 81, and it was also overlain by Burial 54 along the north side. The highly disturbed Burial 88 lay immediately below Burial 81. Because of its stratigraphic position, Burial 81 is placed in the Middle Group.

Burial 81 (cont.)



Burial No. 81 (drawn by W. J. Forbes on 11/29/91; Drawing No. 272).

## Burial 82

Series 3B

Catalog No. 825

Datum point: 13

Grid coordinates: S 93, E 0

Elevation of cranium: 6.03 feet AMSL

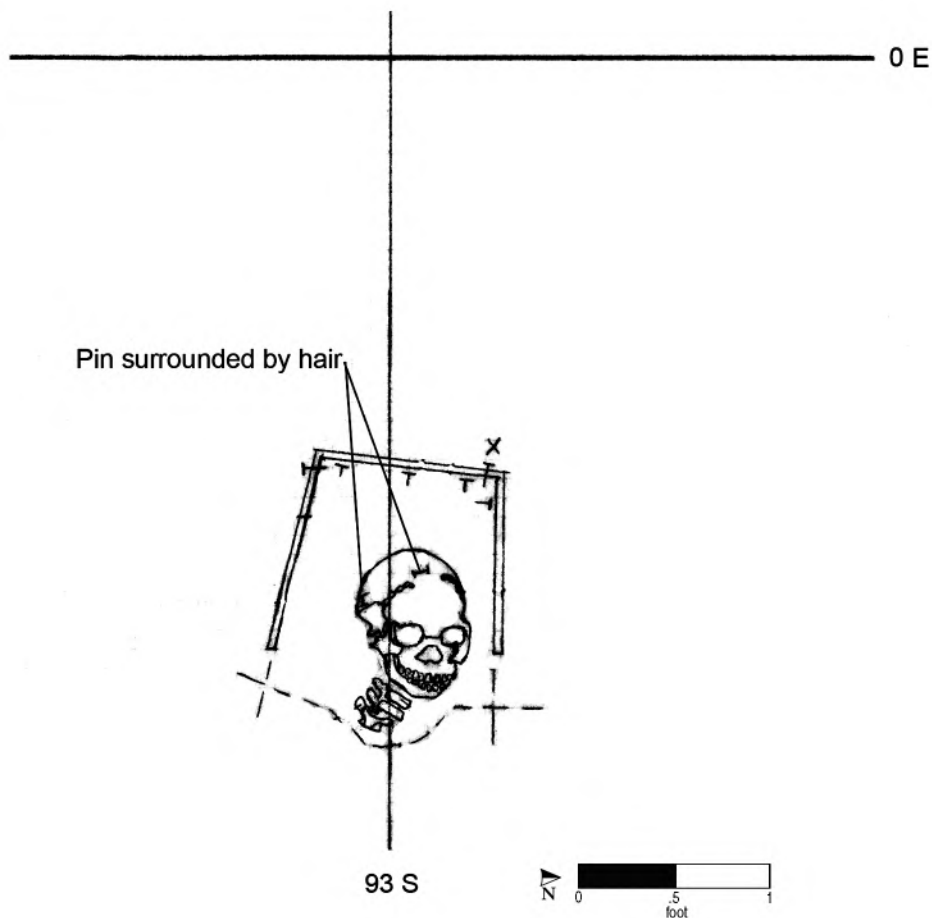
Temporal group: Middle

Burial 82 contained the partial remains of a woman between 18 and 25 years of age. The grave was truncated by a construction trench (presumably for a building on Reade Street) at the corner of the former Republican Alley. Only the west end of the coffin, the skull, and the upper vertebrae were preserved. The grave-shaft fill consisted of mottled silty clay.

The coffin lid was exposed at an elevation of

6.66 feet; the base of the coffin was at 5.90 feet. Two nails were found in situ in the surviving portion of the coffin lid, and several more were found around the perimeter of the bottom. The coffin may have been hexagonal in shape; it appears to have tapered slightly at the head. Samples of the coffin wood were identified as red pine. The woman had been interred with her head to the west, in the supine position. Hair was noted on parts of her cranium in association with straight pins. Six pin fragments were recovered and recorded in the laboratory. These were the only artifacts, other than the coffin, found in association with the burial.

The northwest corner of Burial 82 appears to have lain beneath the southeast corner of Burial 55. Because of its possible hexagonal coffin, and absent any evidence that would place it later, Burial 82 is assigned to the Middle Group.



Burial No. 82 (drawn by M. Schur on 11/27/91; Drawing No. 271).



## Burial 83

Series 8

Catalog No. 826

Datum point: 37

Grid coordinates: S 87.5, E 31

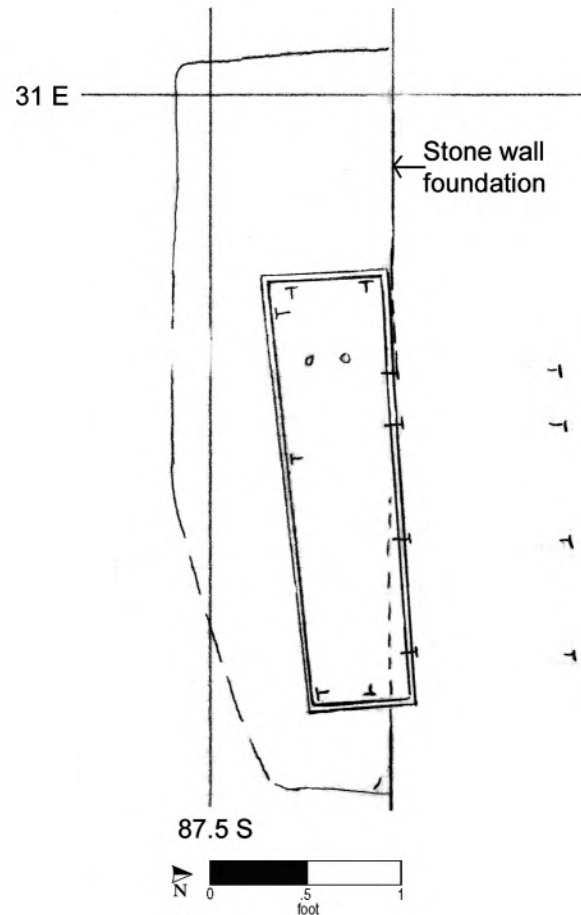
Elevation of highest skeletal remains: 5.43 feet AMSL

Temporal Period: Early?

Burial 83 contained only a molar and an unidentifiable bone fragment, probably of an infant, in the remains of a small coffin. The grave-shaft fill consisted of yellow gray and reddish brown silty clay and was truncated along the north side by the stone foundation of a building at No. 13 Duane Street. The coffin lay directly beneath that of Burial 72, approximately 0.46 feet lower in elevation and offset to the east.

The well-preserved coffin wood was first recorded at an elevation of 5.5 feet. A sample was identified as white spruce. Several coffin nails were found in situ around the perimeter, including two in the headboard, one in the footboard, and seven more along the sides. The coffin was rectangular, and it appears that the infant's head was to the west based on the location of the molar. The coffin wood and nails were the only artifacts found in association with this burial.

Burial 83 was directly overlain by Burial 72 and was directly underlain by Burial 84, which was 0.81 feet lower in elevation. It is considered possible that Burials 72 and 83 were deliberately placed above Burial 84, an Early Group interment. They are both therefore tentatively placed in the Early Group.



Burial No. 83 (drawn by M. Schur on 11/26/91; Drawing No. 269).

## Burial 84

Series 8

Catalog No. 827

Datum point: 37

Grid coordinates: S 87.5, E 35

Elevation of cranium: 4.45 feet AMSL

Temporal group: Early

Burial 84 lay directly beneath Burials 72 and 83 in the former Republican Alley, along the south edge of a foundation wall for a building at No. 13 Duane Street. It contained the remains of a woman between 17 and 21 years of age. The grave shaft was filled with soil described as yellow, gray, reddish brown silty clay. The western and eastern edges of the grave shaft were obscured beneath excavation bunks. No artifacts were found in the shaft fill.

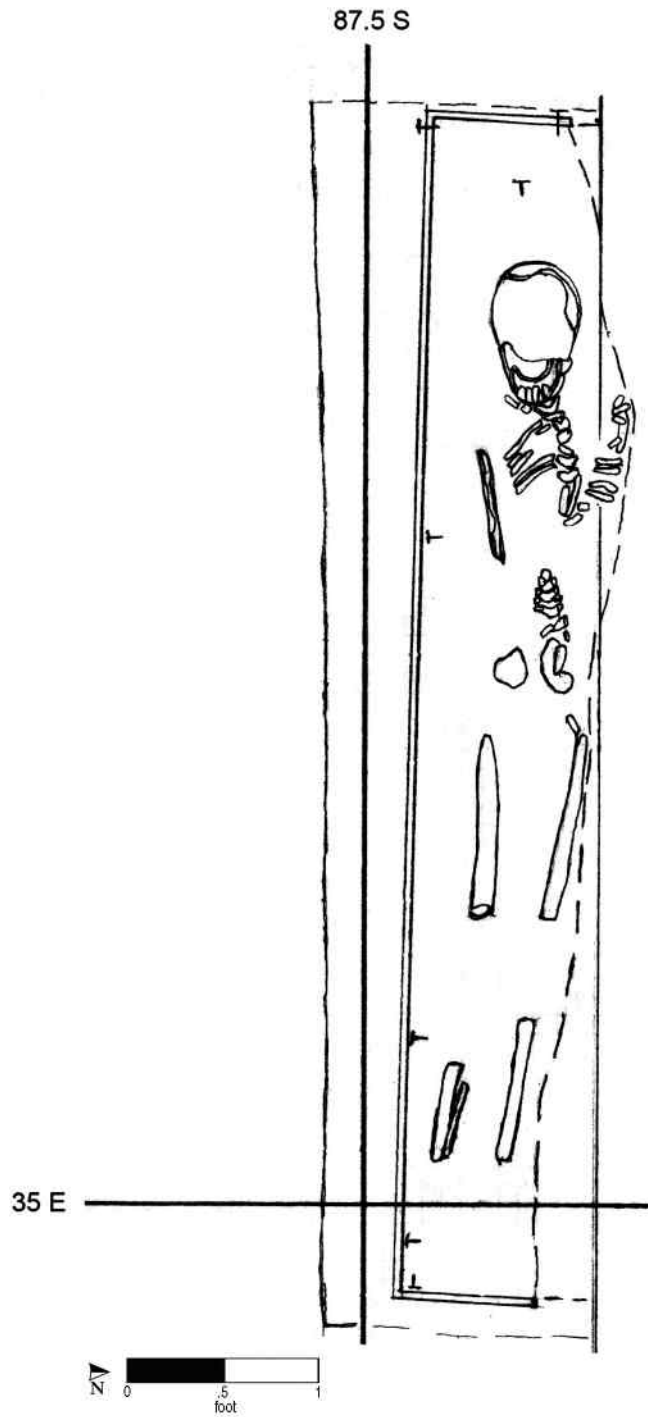
The coffin was first recorded at an elevation of 4.62 feet. Its entire north side had been obliterated

by the foundation wall. The bottom was at an elevation of 4.07 feet in the western portion and 4.11 feet in the southeast corner. Several coffin nails were found in situ around the top and bottom perimeter of the coffin.

The woman had been placed in a four-sided coffin in the supine position with her head to the west. Because of poor skeletal preservation and the intrusion of the stone foundation, the position of the arms was unclear. The skeletal remains were fragmented and incomplete. Portions of the long bones were present, as were fragments of ribs. The woman's skull was partially crushed, and her left humerus and ulna were missing. Straight pin fragments were recovered during cleaning of the cervical (neck) vertebrae in the laboratory.

Burial 84 is assigned to the Early Group by virtue of its coffin shape. It may have been part of a group burial that included overlying Burials 83 and 72. A later interment, Burial 77 (to the south), appears to have overlain the south side of the grave shaft.

Burial 84 (cont.)



Burial No. 84 (drawn by M. Schur on 12/1/91; Drawing No. 275).

## Burial 85

Series 39

Catalog No. 831

Datum point: 19 (11.38 feet AMSL)

Grid coordinates: S 80.5, E 15

Elevation of teeth: 6.79 feet AMSL

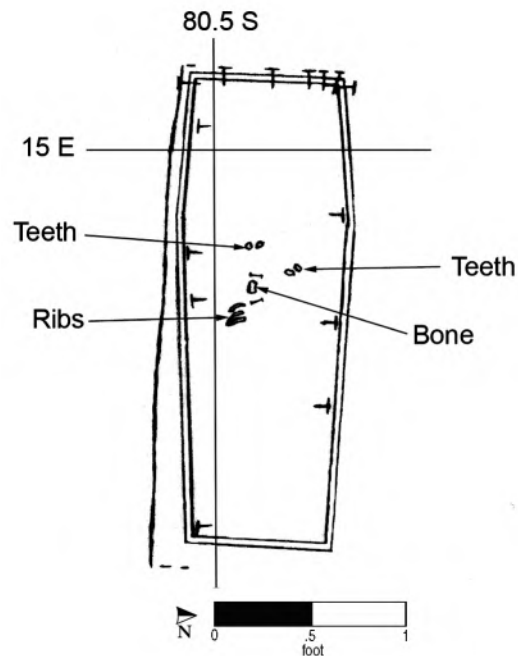
Temporal group: Middle

Burial 85 yielded only teeth and bone fragments that belonged to an infant between 3 and 9 months old. The grave cut was apparent only on the south side of the burial as a straight line. The fill of the grave shaft was described as mottled silty clay, and there were no artifacts recovered from it.

The elevation of the coffin lid was recorded at 7.15 feet and the bottom at 6.69 feet. The coffin shape was hexagonal, and a sample of its wood (from an unspecified location) was identified as cedar. Nails were recorded in situ around the coffin perimeter, at the top and bottom, and one tack was identified in the laboratory. Based on the location of the teeth, the infant's head was probably to the west. Two straight pins were recorded in situ among the remains, and several fragments of these were inventoried in the laboratory.

Burial 85 was one of a number of densely placed burials situated along what was once the northern edge of this part of the cemetery. It was directly

east of the foot end of Burial 74. Field photographs show Burial 85 extending deeper after the removal of Burial 74. The east edge of the grave shaft of Burial 74 was recorded as undisturbed, although it overlay or cut into the west end of Burial 85. It is likely Burial 85 was the earlier interment. Its siting suggests it dates to the period when a fence, once delimiting the north edge of the cemetery, was standing. Therefore, Burial 85 is assigned to the Middle Group.



*Burial No. 85 (drawn by M. Schur on 12/2/91; Drawing No. 1279).*

## Burial 86

Catalog No. 832

Datum point: 27

Grid coordinates: S 74, E 18

Elevation of cranium: 7.89 feet AMSL

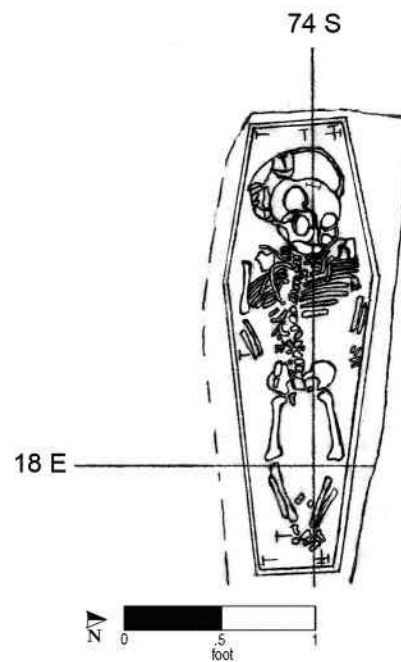
Temporal group: Late

Burial 86 was of a child between 6 and 8 years old. The skeletal remains were recorded as being in fairly good preservation. The grave-shaft fill was described as yellow-gray, reddish brown clay and silt.

The coffin of Burial 86 was hexagonal in shape. The elevation of the coffin at the top was recorded at 7.88 feet. The elevation of the bottom of the coffin was not recorded, but the elevation of the lowest skeletal remains was 7.52 feet. The child had been placed in the coffin in a supine position with the head to the west. Nails were recorded in situ around the perimeter of the coffin at the bottom, but there were no nails recorded at the top of the coffin. Excavators also recorded a screw from a soil sample, but it was presumably destroyed in the World Trade Center collapse. A straight pin was recorded on the child's cranium. Several pin fragments, some with organic material adhering, were inventoried in the laboratory, and a small fragment of unidentified organic material was recovered during cleaning

of the right lower arm bones in the laboratory. It is possible the child was wrapped in a cloth that was pinned at the top of the head.

Burial 86 was located immediately to the north of the fence line, represented by postholes that ran southwest to northeast across the cemetery. It did not overlap with any other burials but may have been aligned in a north-south row that also included, moving northward, Burials 63, 58, 37, and 59. Because of its siting north of the fence, Burial 86 is assigned to the Late Group.



*Burial No. 86 (drawn by M. Schur on 12/6/91; Drawing No. 285).*

## Burial 87

Catalog No. 828

Datum point: 13

Grid coordinates: S 95.5, E 0

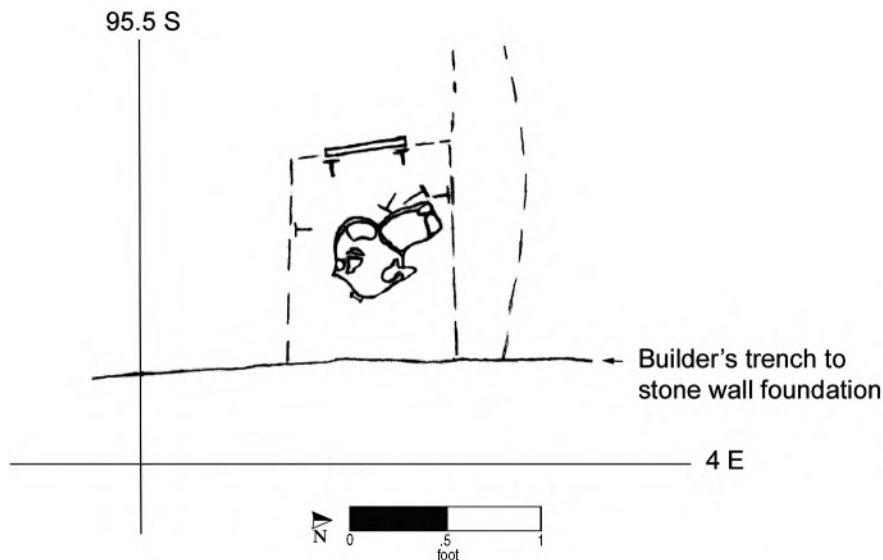
Elevation of cranium: 6.88 feet AMSL

Temporal group: Middle

Burial 87, located along the eastern edge of the north-south leg of the former Republican Alley, contained an incomplete cranium of a child between 4 and 6 years old. A grave-shaft outline was faintly visible along the north side; the shaft fill consisted of mixed silts. Field notes mention there

was glass in the grave-shaft fill, but none was cataloged in the laboratory. The grave had been almost completely destroyed by the builder's trench for the western foundation wall of a structure on Reade Street. However, a piece of a coffin, apparently the headboard, along with two nails, were still in place.

The cranium was recorded at an elevation of 6.88 feet. Excavation was continued down to an elevation of 6.5 feet, recorded on the east side of the remains. One straight pin was noted in the field, adjacent to the skull; copper stains were noted on the left and right parietals. Three pin fragments (one with a head) were cataloged in the laboratory.



*Burial No. 87 (drawn by M. Schur on 11/30/91; Drawing No. 274).*

**Burial 88**

Series 4

Catalog No. 829

Datum point: 13

Grid coordinates: S 93.5, E 0

Elevation of highest skeletal remains: 6.36 feet AMSL

Temporal group: Early

Burial 88 yielded highly disturbed remains of an individual of undetermined age and gender. It was overlain by Burial 81, which obscured most of the grave shaft. Starting at an elevation of 6.73 feet, excavators followed what appeared to be a grave cut along the north side and made an arbitrary cut along the south side and east end. A builder's trench associated with a structure on a Broadway lot truncated the western end of the burial. Because burials were densely spaced in this area, it is not surprising that the shaft outline was obscured. The north line of the grave may in fact represent the stain from the coffin, although this is impossible to verify. Excavators described the soil within the grave cut as very stiff, gray, and clayey, perhaps because of decomposed remains. A sherd of roofing tile, one of stoneware, and a tobacco pipe fragment were recovered from within the apparent grave shaft. Because of the disturbances, however, it is not possible to definitively associate these items with Burial 88.

Nails were encountered starting at an elevation of 6.73 feet in the east and 5.28 feet in the west. At this point, disarticulated human remains were vis-

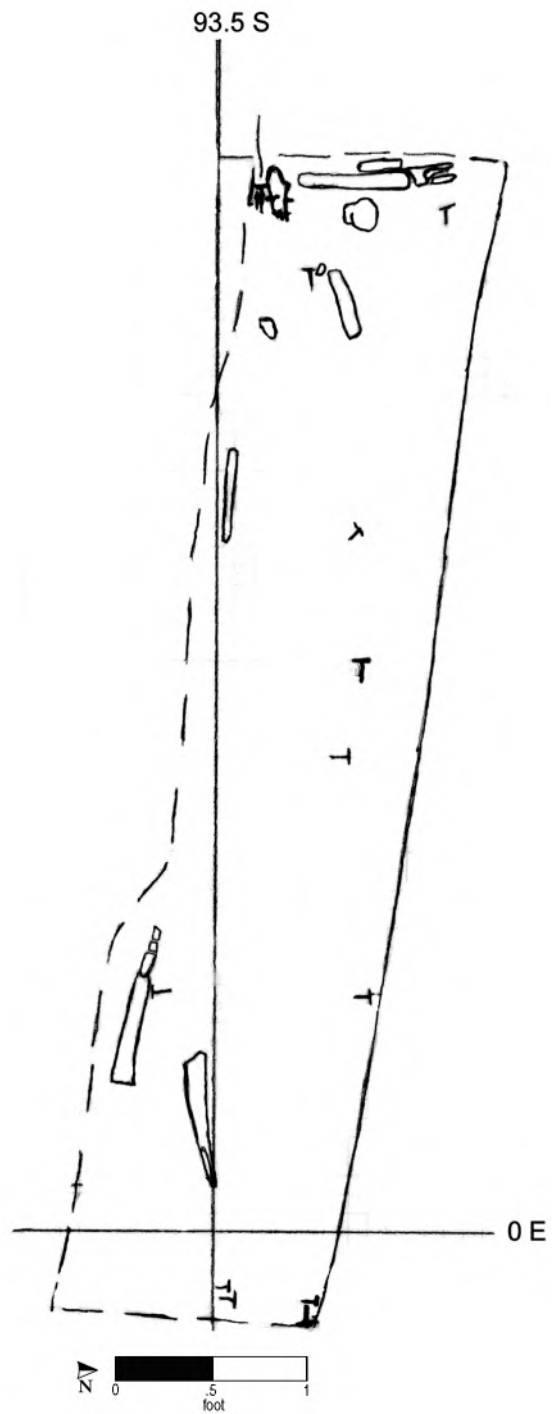
ible, the deepest at an elevation of 5.28 feet. Pieces of wood were also found along the southern side. Two coffin nails were recorded at elevations of 5.13 feet and 4.98 feet, near the presumed southwest corner, and these may represent the base of the burial. However, no clear-cut coffin remains were found, only the nails and the wood fragments. These remnants may have been associated with Burial 81, which appears to have cut into Burial 88 in the area where the wood was found.

Skeletal remains were sparse and consisted mainly of partial long bones. One humerus lay along the west edge of the truncated grave. The right radius, the right femur, and the right tibia appeared to rest in approximate anatomically correct positions.

Burial 88 lay beneath Burial 81 and beneath the north side of Burial 67. It had been disturbed by construction on the west and also by the later interments. However, the remains were not completely disarranged—certain bones were in approximate original positions. Its disturbance by the later burial(s) and the possibility that the coffin was straight sided suggest that the burial was early in the excavated sequence, and it has been assigned to the Early Group. As noted, the sherd of roofing tile, which would seem to place the burial later (when the Campbell pottery was in operation), may well be associated with one of the episodes of disturbance.

*(continued on page 122)*

## Burial 88 (cont.)



*Burial No. 88 (drawn by M. Schur on 12/2/91; Drawing No. 279).*



**Burial 89**

Series 10

Catalog No. 830

Datum point: 33

Grid coordinates: S 90.5, E 48

Elevation of cranium: 4.76 feet AMSL

Temporal group: Late-Middle

Burial 89, located in the former Republican Alley portion of the excavated cemetery, contained the remains of a woman between 50 and 60 years of age. The fill of the grave shaft was described simply as clay and contained a single sherd of stoneware and a few mammal bone fragments. The outline of the shaft was wider than the coffin and extended to the north. Subsequently, Burial 107, which held a woman in her late 30s, was found to be within this shaft, beneath Burial 89 and offset slightly to the north.

The Burial 89 coffin lid was first exposed on the western end at an elevation of 5.46 feet. The coffin lid had split down the center, forming a gap running the length of the burial. The absence of nails along this center line indicates that the lid was probably a single plank that had split rather than having been two boards, though in the latter case it is possible that only glue was used. The lid sloped downward from the south toward the north where the burial had slumped into the underlying Burial 107. The lowest wood stain appeared at an elevation of 4.43 feet along the north side. The bottom, like the lid, sloped downward to the north, with elevations of 4.75 feet on the south, 4.45 feet in the center of the burial, and 4.06 feet along the north side. The coffin

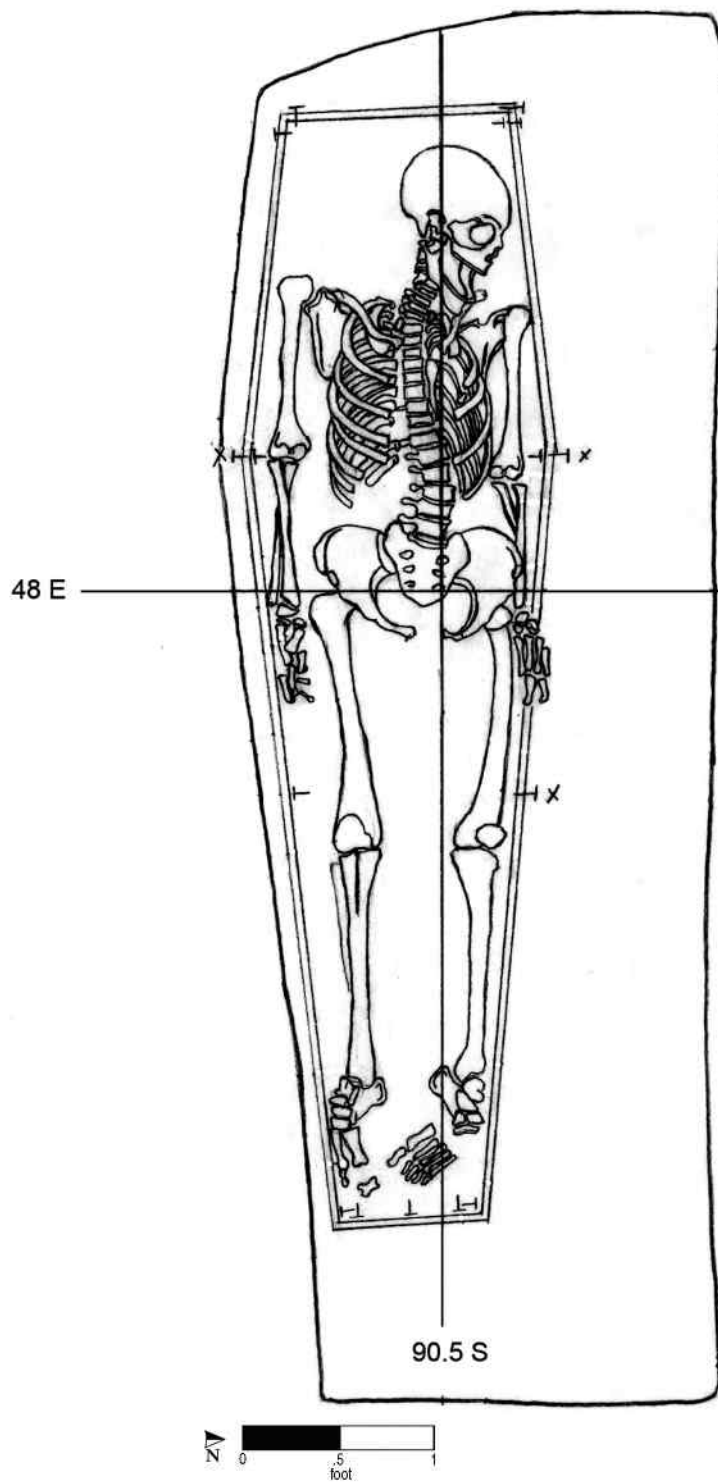
was hexagonal in shape. Nails were found in situ around the perimeter of both the lid and bottom. A sample of the wood was identified as spruce.

The woman was interred in the supine position with her head to the west and her arms resting at her sides. The excavators noted that the skeletal remains were in excellent condition. Three disarticulated incisors were found; the remaining teeth apparently were worn down to the gums. There appeared to be a separation between the metatarsals and tarsals (ankle bones) on the woman's left foot. Straight pins were found near the thoracic vertebrae, and an iron object was found under the woman's sacrum. This object was mentioned but neither described nor illustrated in the burial notes, and it was not cataloged in the laboratory. It may have been simply a nail.

Field records suggest that the individuals in Burials 89 and 107 shared a single grave shaft, and they are categorized as a shared burial. The east end of Burial 89 cut into the western edge of Burial 111, that of a child about 1 year old. Burial 101 was immediately to the north of Burials 89 and 107, and drawings indicate there was overlap between the shaft outlines, but it is not possible to determine which of the graves cut into the other. Because it cut into an infant's grave (which is unusual at this cemetery and may indicate that the grave digger did not know of the earlier grave) and because it is hypothesized that Burial 89 is roughly contemporaneous with surrounding Burials 101, 95, and 109, Burial 89 is assigned along with these to the Late-Middle Group.

*(continued on page 124)*

## Burial 89 (cont.)



*Burial No. 89 (drawn by M. Schur on 12/8/91; Drawing No. 284).*

## Burial 90

Series 41

Catalog No. 833

Datum point: 19 (11.38 feet AMSL)

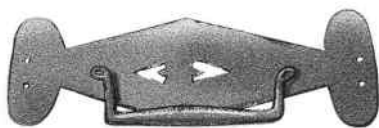
Grid coordinates: S 81.5, E 4

Elevation of cranium: 6.81 feet AMSL

Temporal group: Middle

Burial 90 was of a woman between 35 and 40 years old. The grave was located at the rear of Lot 12 in the western portion of the excavated site, along what was once the north edge of the cemetery. The grave-shaft outline was rectangular in shape and well defined, except at the west and northwest edges, where it was obscured by an excavation balk. Its fill was described as dark gray-brown fine silt mottled with green and yellow fine silt; no artifacts were recovered from the fill.

Excavation of the coffin began at an elevation of 6.99 feet, and the woman's cranium was exposed at 6.81 feet. The coffin, hexagonal in shape, was represented by wood staining along each side and by nails recorded in situ at both top and bottom. A wood sample was taken, but it is not known from where, nor was the wood identified. The skeletal remains were in fair condition and virtually complete, although very fragile. The deceased had been placed supine with her head to the west, her arms at her sides, and her hands resting on her upper thighs. Evidence of alveolar abscesses (tooth infections) and bowing of the femurs were photographed in situ prior to removal of the remains. Two straight pins were recorded in situ on the cranium, and one on the second right rib.



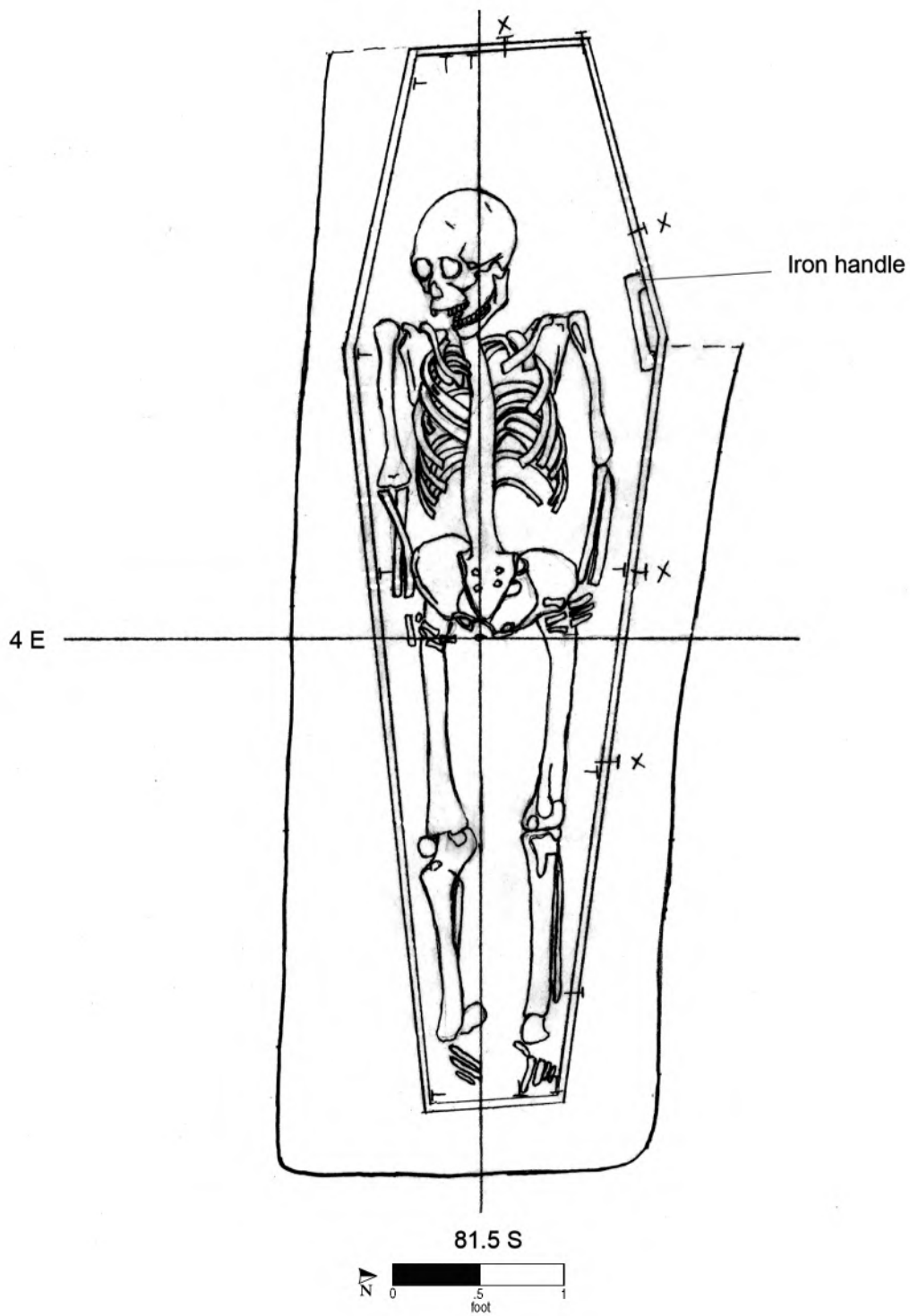
*Composite sketch of handles from Burials 90 and 176.*

An iron artifact, identified through X-ray analysis as a portion of a handle back plate with posts, was found at the bottom of the coffin, along the left side board, at the shoulder. It seems unlikely this was a functioning handle for the coffin, as there was only one. The portion of the coffin where the item was found may have been disturbed by a later brick wall (see drawing), and thus the item may be intrusive. Alternatively, the object may have been placed deliberately within the coffin at the time of the woman's burial. The artifact was not recovered following the collapse of the World Trade Center on September 11, 2001, and therefore was not reburied along with the remains.

The southeast portion of Burial 90 was overlain by the infant Burial 79. Neither burial is mentioned in the field notes of the other. The two coffins appear to have shared a single grave, although the infant's coffin was offset to the south, and there was 0.75 feet of soil intervening between the two. This suggests they were not interred at the same time. Another infant burial, Burial 8, may have lain adjacent to the south of Burial 79, as though placed there deliberately. A recording error, however, makes it impossible to determine the precise location of Burial 8. All three of these burials lay 2 or more feet beneath the northern side of Burial 1, a late interment. Burial 73 was located immediately north of Burial 90 and slightly higher in elevation. It appears from field notes and drawings that the north edge of the grave shaft for Burial 90 cut into the south edge of the Burial 73 grave shaft; hence, Burial 90 is the later interment.

*(continued on page 126)*

## Burial 90 (cont.)



*Burial No. 90 (drawn by M. Schur on 12/9/91; Drawing No. 288).*

## Burial 91

Catalog No. 834

Datum point: 35

Grid coordinates: S 95, E 48

Elevation of cranium: 4.95 feet AMSL

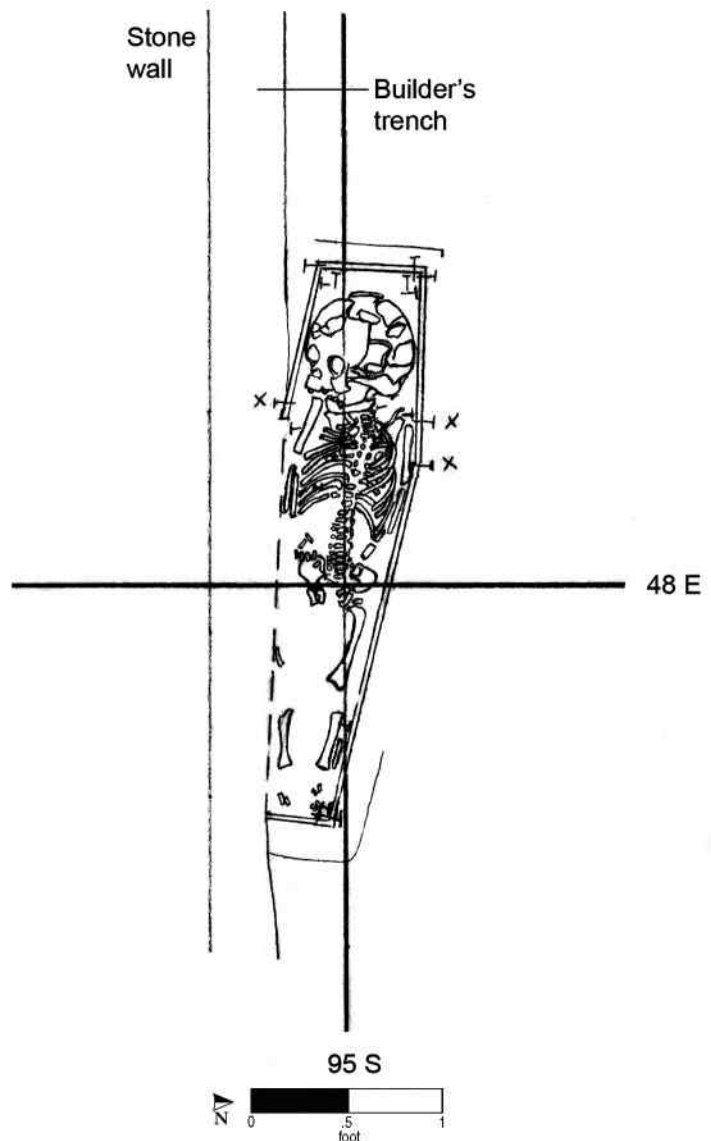
Temporal group: Late-Middle

Burial 91, located along the south edge of the former Republican Alley, yielded the remains of a child between 8 and 16 months old. The grave shaft, filled with mottled silty clay, was only visible on the east and west ends of the grave. It had been cut into along the southern side by an east-west builder's trench for the rear wall of a Reade Street building. On the north side, the shaft outline was probably obscured by excavations of other burials. No artifacts were recovered from the grave fill.

The coffin lid was encountered at an elevation of 5.19 feet, based on a coffin nail found in situ in the northwest corner. The bottom of the coffin was recorded at 4.70 feet. The builder's trench had removed a portion of the southern side and the southeast corner of the coffin. It was nevertheless clear that the shape was hexagonal. Additional nails were recorded in situ at the extant corners and along the sides. A wood sample was identified as eastern red cedar.

The infant had been placed in a supine position, with the head to the west and the arms resting at the sides. The hands appear to have rested over the pelvic area. The only artifacts associated with the deceased, other than the coffin itself, were straight pins, recorded among the ribs and at the neck.

Burial 91 was immediately south of several other children's burials and appears to have been part of a group that included Burials 42, 61, 64, and 94. All were placed immediately above and surrounding Burial 96, which held a young man. These interments all had a similar alignment, angled slightly north of grid west. Because of their stratigraphic position, Burials 42, 61, 64, and 91 are all placed in the Late-Middle Group.



*Burial No. 91 (drawn by M. Schur on 12/5/91; Drawing No. 284).*

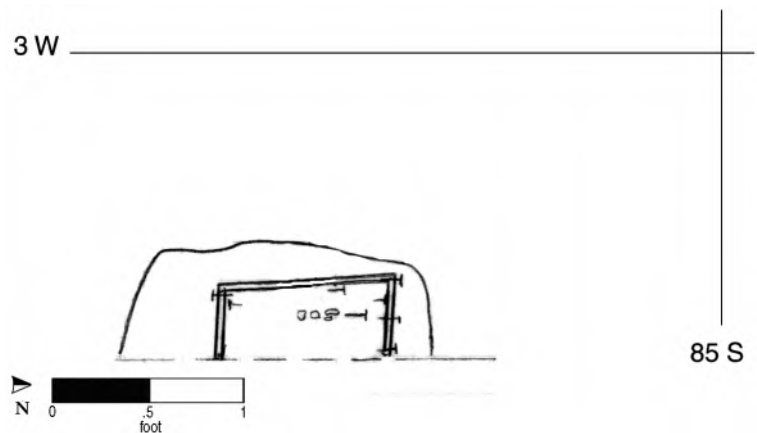
## Burial 92

Remains labeled in the field as Burial 92 were subsequently determined to be from Burial 96.

## Burial 93

Series 43  
 Catalog No. 836  
 Datum point: 13 (11.38 feet AMSL)  
 Grid coordinates: S 85, W 3  
 Elevation of skeletal elements: 6.98 feet AMSL  
 Temporal group: Middle

Burial 93 consisted only of the eastern (foot) end of a grave that had been truncated by the rear foundation of a Broadway building. The deceased was an adult of undetermined age and sex. The skeletal elements present consisted of only four fragmentary and brittle phalanges (toe bones). The severely truncated grave shaft and coffin were clearly discernable at an elevation of 7.58 feet. The soil in the grave fill consisted of mixed silt, and inside the coffin there was a heavy dark gray silty clay. The footboard of the coffin was represented by a line of wood and seven coffin nails. No other artifacts were found in association with the burial. Burial 93 was overlain by Burial 36, which is a late interment. Lacking evidence to place it earlier or later, Burial 93 is assigned to the Middle Group.



*Burial No. 93 (drawn by M. Schur on 12/3/91; Drawing No. 283).*

## Burial 94

Series 9

Catalog No. 837

Datum point: 34

Grid coordinates: S 92.5, E 47

Elevation of cranium: 4.75 feet AMSL

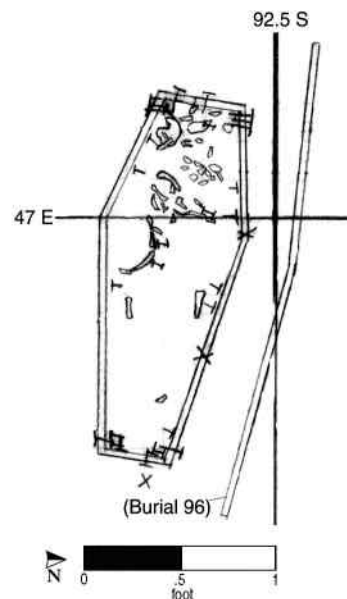
Temporal group: Middle

Burial 94 was of a child, probably an infant, although the bones could only be categorized as those of a subadult. The burial lay immediately above the upper half of Burial 96, and its orientation matched that of the lower burial. It appeared to share the same grave, although it is not possible to determine whether the interments occurred simultaneously or time had elapsed before the second of the two. Excavators noted that intervening soil separated the bones of the two burials.

The infant's coffin lid was encountered at an elevation of 5.02 feet, and the bottom was at an elevation of approximately 4.56 feet. Nails were recorded in situ around the perimeter of both top and bottom. A wood sample was identified as cedar. The coffin was hexagonal in shape. The infant had been placed with head to the west. The remains were in poor condition, and cranial and some long-bone fragments were scattered through the burial. Excavators noted a clump of seed husks and speculated that there may have been some rodent disturbance. It is possible the burial had slumped into the underlying Burial 96.

Four straight pins were found within the interior of the coffin. One adhered to a cranial fragment, and three others were in the rib area.

Burial 94, along with Burial 96 in the same grave, appears to be part of a group of burials. Burial 96, that of a young man, anchors the grouping, with Burials 42, 61, 64, and 91 surrounding it. Burial 95, although it appears to belong to this grouping, was actually a later interment that partially destroyed Burial 96. Based on stratigraphy and coffin shape, and lacking evidence that would place it later, Burial 94 is assigned to the Middle Group.



*Burial No. 94 (drawn by M. Schur on 12/7/92; Drawing No. 286).*

## Burial 95

Series 9

Catalog No. 838

Datum point: 34

Grid coordinates: S 94.5, E 51

Elevation of cranium: 4.85 feet AMSL

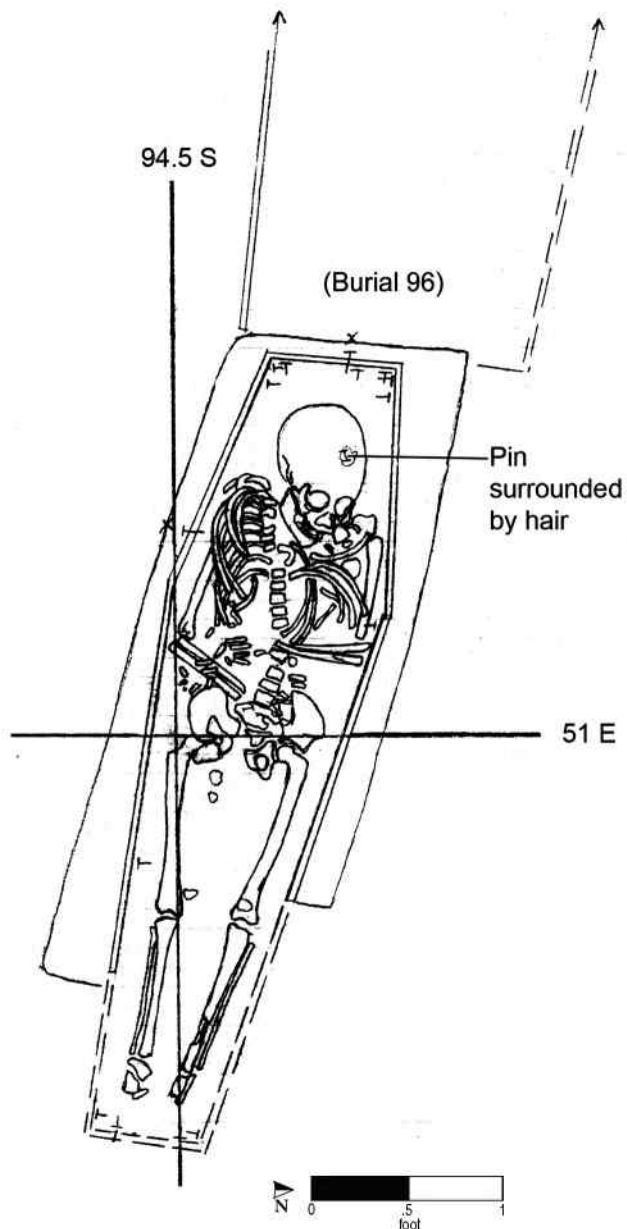
Temporal group: Late

Burial 95 was of a child between 7 and 9 years old. Disarticulated long bones from an earlier burial, Burial 96 (these bones were originally designated Burial 92, now voided), and a single stoneware kiln waster were recorded in the grave shaft. The grave shaft was visible in outline but not otherwise described. The child's coffin lid was encountered at an elevation of 4.68 feet, based on the recorded elevations of coffin nails found in situ in the southeastern corner of the burial. The coffin was hexagonal in shape. The eastern edge of the lid was not discernible. The bottom was at an elevation of 4.48 feet in the southeast corner, based on the elevation of nails, and at 4.43 feet towards the center of the burial. Several nails were recorded in situ around the perimeter of the bottom.

The child was interred in the supine position, with the head to the west and the arms crossed over the abdomen. The remains were in fair condition, although metatarsals and metacarpals were missing. A straight pin surrounded by a concentration of hair was recorded in situ on the cranium, and a second pin was mapped on the sacrum; these pins were apparently too disintegrated to be recovered in the laboratory.

Burial 95 clearly postdates Burial 96, as the disturbed lower extremities from Burial 96 were found within the grave shaft of Burial 95. The partial destruction of one burial during interment of another suggests that the two were not meant to share a grave and perhaps were separated by a space of time. Burial 96, along with Burial 94 in the same grave, therefore may be from an earlier period. Adjacent Burials 91, 64,

61, and 42 may all be part of the same group. These burials all had a similar alignment, angled slightly north of grid west. Burial 95 is assigned to the Late Group because of its stratigraphic position relative to Burials 96 and 94 and because it disturbed the earlier grave.



*Burial No. 95 (drawn by M. Schur on 12/20/91; Drawing No. 298).*



**Burial 96**

Series 9

Catalog Nos. 839 and 835

Datum point: 34

Grid coordinates: S 94.5, E 47

Elevation of cranium: 4.74 feet AMSL

Temporal group: Middle

Burial 96 yielded the remains of a young man between 16 and 18 years old. The eastern half of the burial had been destroyed by a subsequent interment (Burial 95), and the disarticulated leg bones from Burial 96 were found in this later grave shaft. These bones were originally designated Burial 92, now voided. The surviving grave shaft for Burial 96 was filled with mottled reddish brown silty clay. There were no artifacts recovered from the fill of the grave shaft.

The coffin was six sided. Its lid was at an elevation of 4.79 feet, and the bottom was reached at 4.54 feet at the western edge and 4.37 feet towards the east. Nails were not recorded at the top of the coffin but were mapped in situ around the perimeter of the bottom. A sample of the coffin wood from an unspecified location was identified as eastern white pine. The man was interred with his head to the

west, in the supine position; his arms rested at his sides. Other than the remains of the coffin itself, no artifacts were found in association with Burial 96.

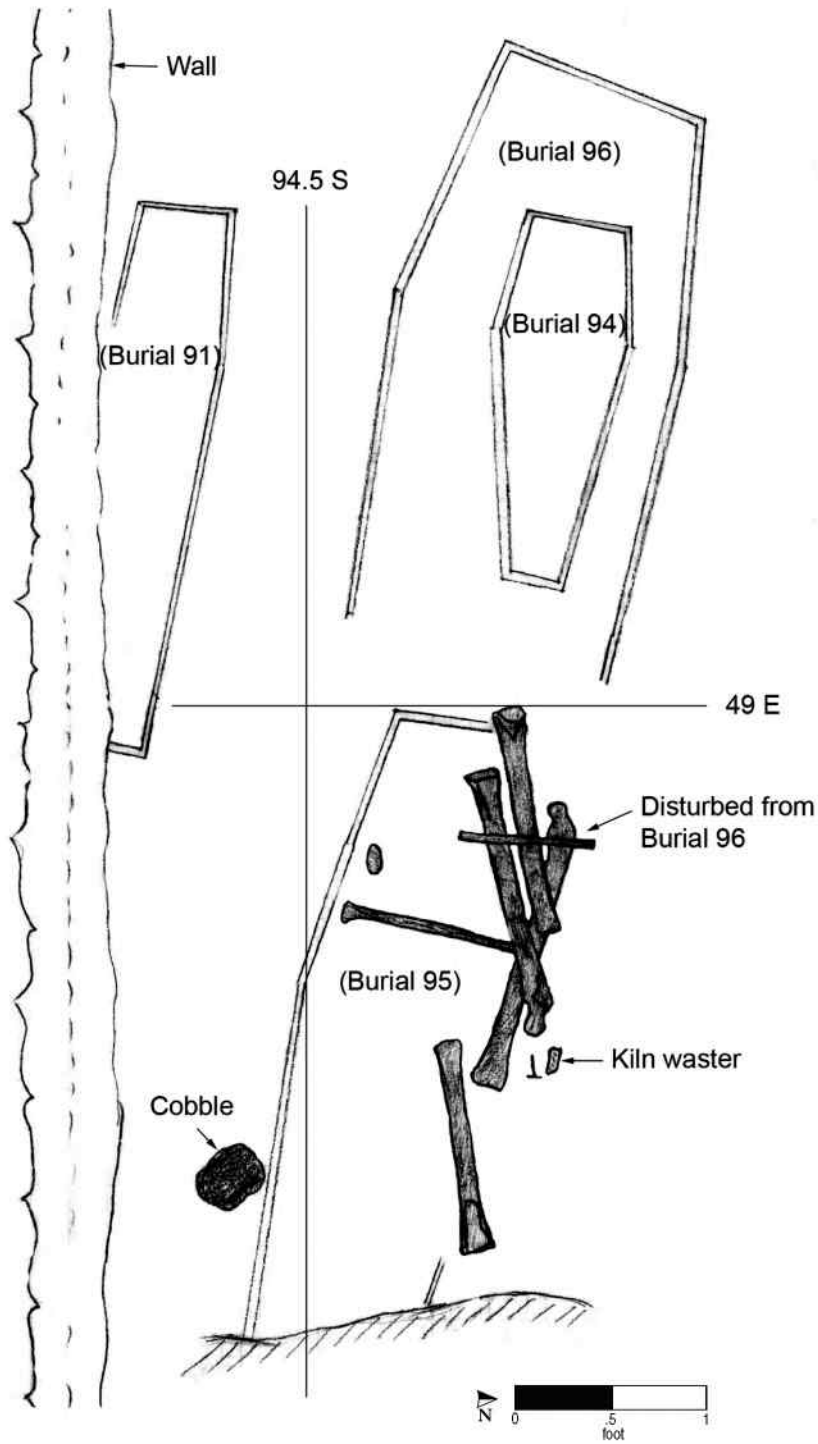
The western half of Burial 96 was overlain by the infant Burial 94, which appears to have shared the same grave shaft. The two coffins were precisely aligned, with the infant's centered on the young man's.

Burials 64 and 42 also overlay the southwest and western edges, respectively, of Burial 96, and thus are later in date but may have been placed deliberately in a grouping anchored by the young man in Burial 96. One other burial, Burial 91 to the immediate south, also appears to have belonged to this grouping. The graves are all oriented similarly, angled slightly north of grid west. Burial 95, also aligned with the others, nevertheless was clearly later and perhaps was not placed here deliberately. It is hypothesized that those interring Burial 95 were not cognizant of the identity or location of Burial 96; the disturbance of the latter was probably accidental and may reflect the disregard of a forgotten grave by those interring Burial 95.

Because of stratigraphic relationships, Burial 96 is placed in the Middle Group.

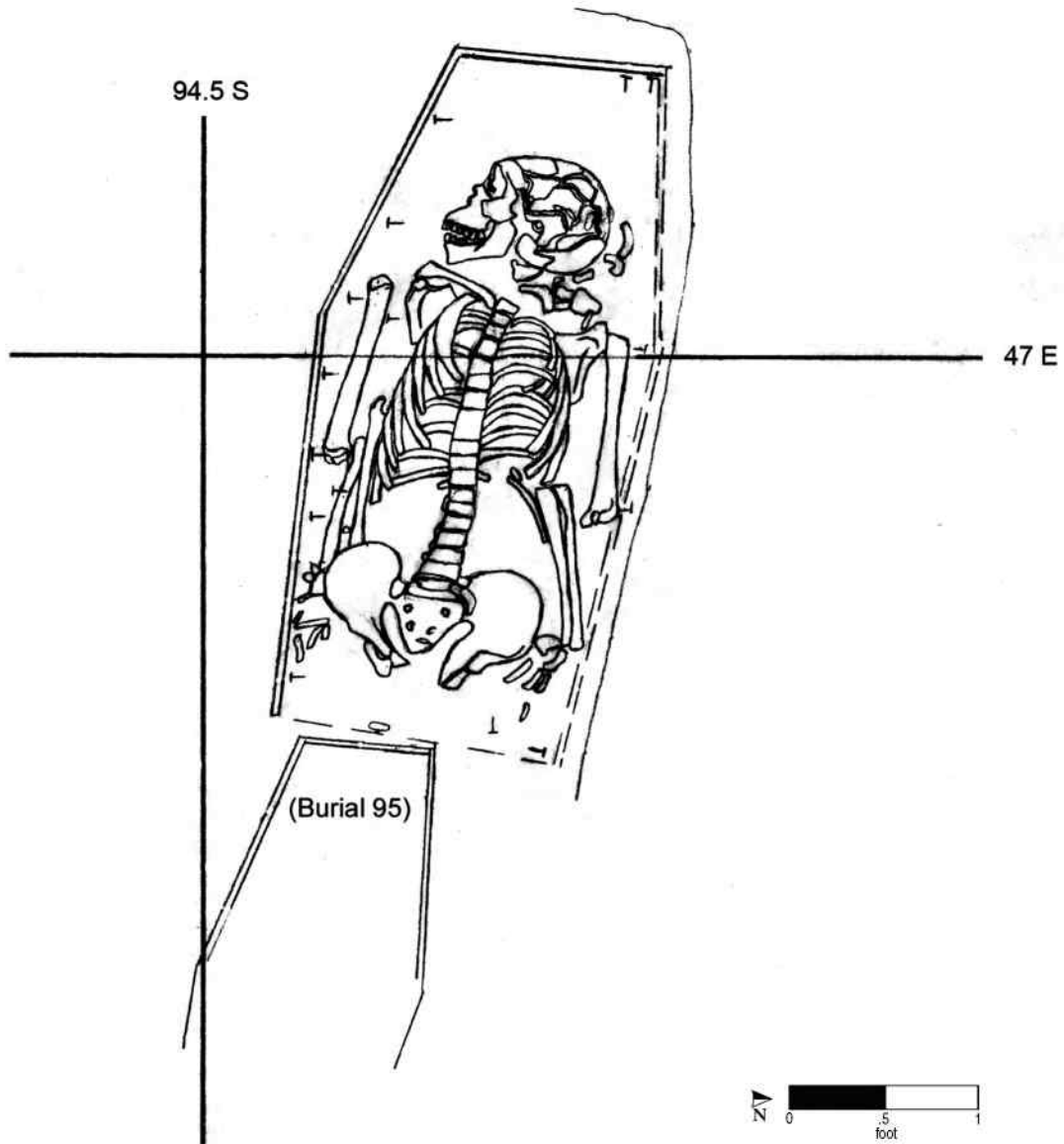
*(continued on pages 132–133)*

### Burial 96 (cont.)



Burial No. 96 (disarticulated bones in grave of Burial 95; drawn by C.G. on 12/2/91; Drawing No. 1052).

Burial 96 (cont.)



Burial No. 96 (intact portion of burial; drawn by M. Schur on 12/18/91; Drawing No. 296).

## Burial 97

Series 51

Catalog No. 840

Datum point: 25 (8.38 feet AMSL)

Grid coordinates: S 81, E 20

Elevation of cranium: 6.73 feet AMSL

Temporal group: Late

Burial 97 was of a man between 40 and 50 years old. This grave was located in the southeast corner of Lot 12 and had been truncated below the pelvis by a foundation wall running along the east side of the lot. The grave-shaft outline was distinct along the south and north sides; the southern side may have been previously disturbed 2 months earlier during the excavation of Burial 10. Soil was described only as moist clay, and no artifacts were recovered from the shaft fill.

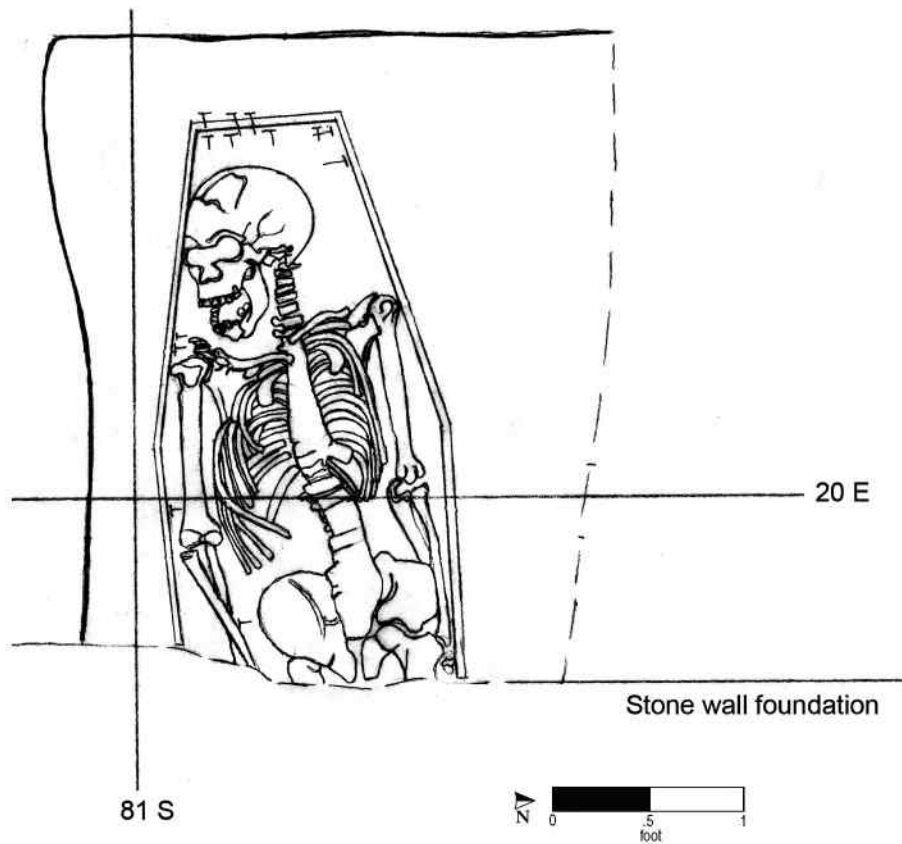
The coffin was hexagonal in shape. Its lid was first recorded at an elevation of 6.78 feet, its bottom at 6.18 feet. One wood sample (from an unspecified location) was identified as larch. Nails were recorded at the top and bottom of the headboard, and one was recorded along the south side of the

coffin bottom. The man had been placed with his head to the west, his arms resting at his sides. Five straight pins were recorded in situ on the cranium, although none were recovered.

According to field notes, Burial 10 (immediately to the south) “intersected” the grave cut for Burial 97; however, the area of Burial 97 was not excavated until some 2 months subsequent to Burial 10, and the exact relation between the two graves was not determined in the field, nor could it be reconstructed from the records.

Burial 97 truncated an underlying infant burial, Burial 98, which lay slightly to the north. Below this was a third burial, Burial 100, also of a child, which had not been disturbed by either of the later interments. Just to the north, at a slightly lower elevation than Burial 97, infant Burials 102 and 103 lay end to end. Burial 97 may not have been associated with any of these children’s burials. The fact the interment of Burial 97 destroyed part of child Burial 98 suggests that some time had passed, the earlier grave perhaps forgotten or at least disregarded. Because of this, and its stratigraphic position relative to the several other burials, Burial 97 is placed in the Late Group.

Burial 97 (cont.)



Burial No. 97 (drawn by M. Schur on 12/11/91; Drawing No. 289).

## Burial 98

Series 51

Catalog No. 841

Datum point: 25 (8.38 feet AMSL)

Grid coordinates: S 81, E 20

Elevation of cranium: 6.23 feet AMSL

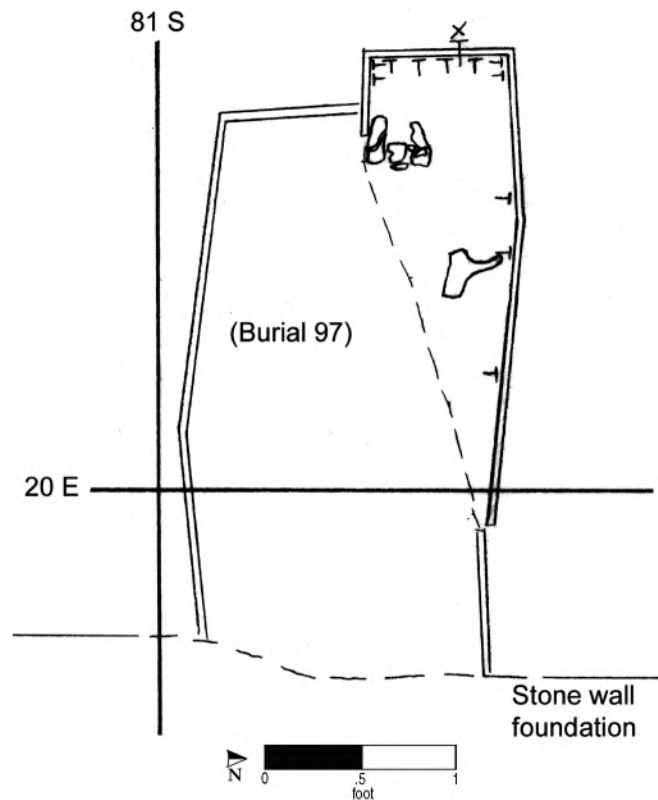
Temporal group: Middle

Burial 98 was of an infant 1–2 years old. It was located in the southeast corner of Lot 12, and the southeast portion of the grave had been truncated by the later interment of an adult man in Burial 97. The grave-shaft outline was not recorded, but soil was described as dark gray-brown fine silt with green-yellow fine-silt mottling.

The coffin was hexagonal in shape, recorded at elevations of 6.77 feet at the top and 6.11 feet at the bottom. Numerous bottom nails were recorded in situ, mainly at the head but also along the north

side. The infant had been placed with the head to the west. The skeletal remains, which included cranial fragments and part of the left scapula, were in very poor condition, shattered as although by compression. No artifacts, other than the coffin itself, were recovered in association with this burial.

As noted, Burial 98 had been partially destroyed by the interment of Burial 97. Beneath these two burials lay Burial 100, of another child, which was undisturbed. Immediately to the north, Burials 102 and 103, also of infants, lay end to end. Burial 98 may have been associated with Burial 100 or with the pair of infants to its north. It is possible all four subadult burials formed a group or that this location within the cemetery at one time was set aside for children. Because Burial 98 was partially destroyed by Burial 97, the latter is assigned to the Late Group, and Burial 98 is placed in the Middle Group, with the presumption that a period of time had passed between the two.



*Burial No. 98 (drawn by M. Schur on 12/13/91; Drawing No. 290).*

## Burial 99

Series 11

Catalog No. 846

Datum points: 39 and 40

Grid coordinates: S 91.5, E 70

Elevation of cranium: 4.92 feet AMSL

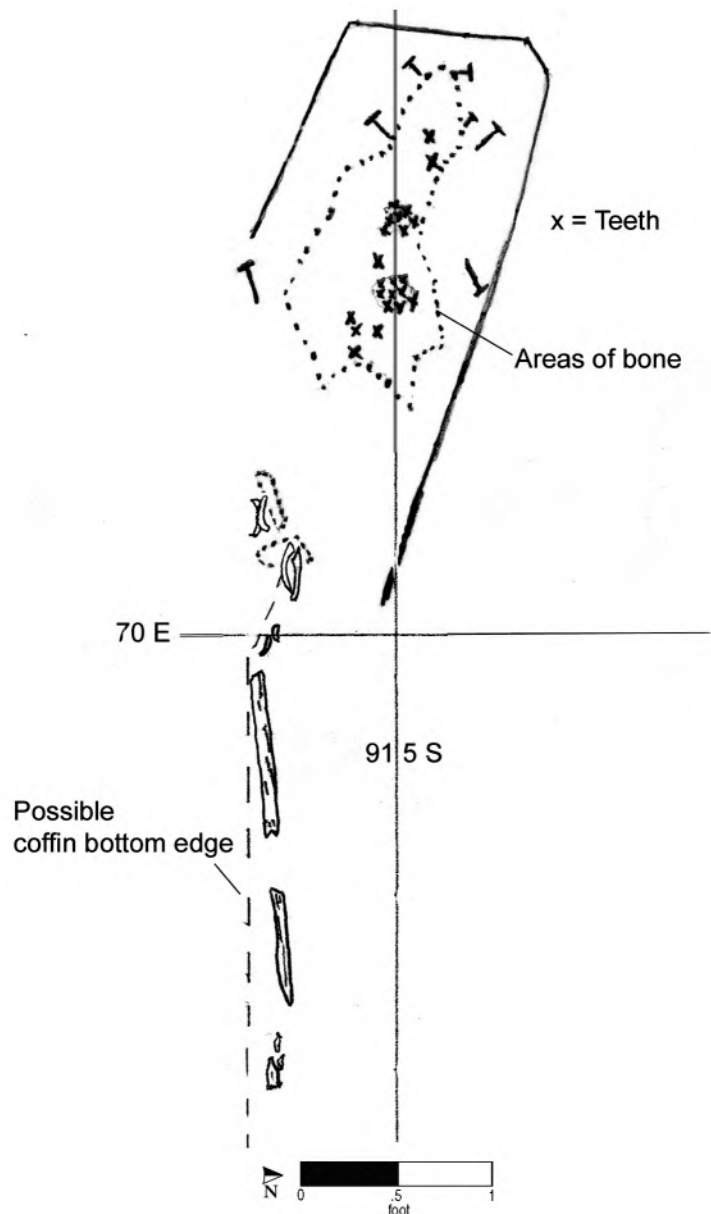
Temporal group: Late

Burial 99 held the remains of a child between 6 and 10 years of age. The grave shaft was filled with soil described as dark, hard-packed, stoneless silt. A prehistoric lithic (a flake?) was noted in the excavation records from the grave shaft; this item was not cataloged in the laboratory and was not recovered after the World Trade Center collapse on September 11, 2001.

The burial was severely damaged by heavy construction machinery during the field-work. Initially, only teeth and crushed bone was identified. Pin fragments that were not recoverable were recorded among the teeth. After the initial identification of the burial, additional remains, which appeared to be in or close to their original position, were discovered to the southeast, lying above Burial 148. These remains, including ribs and long-bone fragments, were mapped and recorded on a supplemental drawing. The Burial 99 coffin lid was not identifiable because of the disturbance caused by the construction machinery. The damage made determination of the coffin shape and precise interment position impossible.

Burial 99 was to the northwest of and overlaid Burial 148, which in turn overlaid the

west end of Burial 155. Excavators were convinced that Burial 99 had cut into Burial 148, disturbing portions of the latter's torso. It also appears that the grave shaft for Burial 99 cut into the grave shaft of Burial 106. Several other very disturbed burials, including Burials 117, 110, and 112, were located nearby. It seems likely that these burials lay within the uppermost, and latest, stratum of the burial ground and were thus exposed to disturbances from nineteenth-century construction, as well as from heavy machinery during the current project.



*Burial No. 99 (composite) (drawn by W. Forbes and W. Williams on 12/18/91 and 1/28/92; Drawing Nos. 295 and 354).*

## Burial 100

Series 51

Catalog No. 842

Datum point: 25

Grid coordinates: S 80.5, E 20

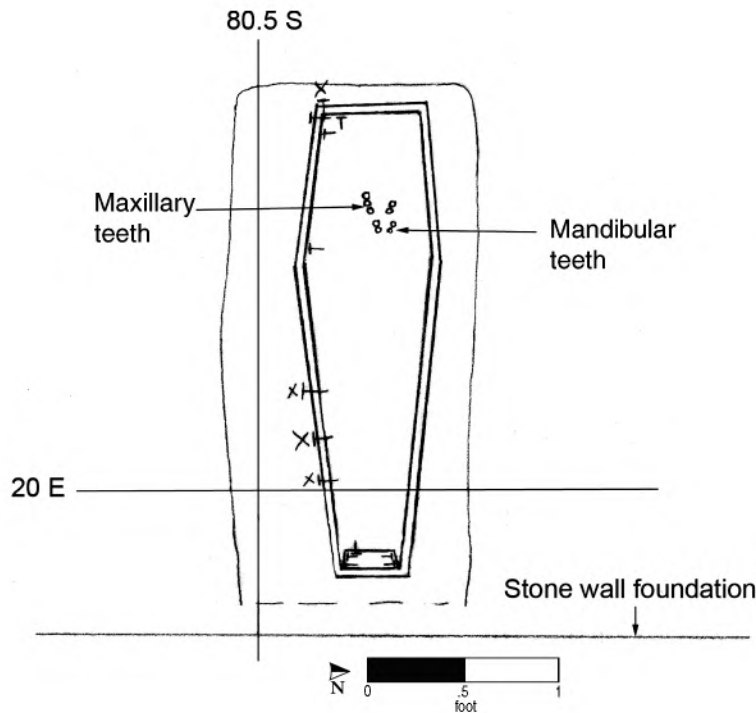
Elevation of cranium: 5.44 feet AMSL

Temporal group: Middle

Burial 100 was probably of an infant or young child, although the remains consisted only of teeth and age could not be determined. The grave was located in the southeast corner of Lot 12. The rectangular grave-shaft outline was visible on all but the east side, which was obscured by a foundation wall. Shaft fill was described as dark gray-brown silt with yellow-green silt mottling. One fragment of red brick and two oyster shell fragments were recovered from the fill.

The coffin was hexagonal, and the footboard sloped outwards at the top. Nails were recorded in situ at the foot and along the south side. No artifacts other than the coffin itself were found in direct association with the remains. Based on the location of teeth, this individual had been placed with the head to the west.

Burial 100 was located directly beneath Burial 98 (an infant) and Burial 97 (an adult man whose grave had truncated Burial 98). Burials 98 and 100 may have been associated with each other and also may have been associated with two other infant burials. Burials 102 and 103 lay end to end immediately to the north. Based on its coffin shape and stratigraphic position, Burial 100 is assigned to the Middle Group.



*Burial No. 100 (drawn by M. Schur on 12/14/91; Drawing No. 291).*



## Burial 101

Catalog No. 843

Datum point: 34

Grid coordinates: S 90, E 48

Elevation of cranium: 3.94 feet AMSL

Temporal group: Late-Middle

Burial 101 held the remains of a man between 26 and 35 years of age. It was located along the south edge of stone foundation walls for structures facing Duane Street, at the boundary between Lots 13 and 14. The northwest part of the grave shaft, which was filled with mottled silty clay, was not visible beneath the foundation. A rodent disturbance was noted near the left elbow, and excavators suggested this might account for an extraneous piece of cranium that was found with the skeletal remains.

The hexagonal coffin lid was encountered at elevations of 4.69 feet (in the northwest corner) to 4.45 feet (in the southeast). It was decorated with a pattern of iron tacks, recorded in situ. The pattern was described in the field notes as heart shaped, with unidentified designs within the outline of the heart. It also subsequently has been interpreted as a Sankofa symbol. This West African symbol, which originated with the Twi-speaking people of present-day Ghana and the Ivory Coast, represents the proverb *Se wo were fi na wo sankofa a yenkyi*, meaning, “It is not a taboo to return and fetch it when you forget.” Other meanings of the heart shape in African symbolic systems are possible. The interior design may represent letters and numbers; coffins were sometimes decorated with the deceased’s initials and age or year of death. The corrosion of the tacks and their displacement (caused by decay of the coffin) rendered any such writing illegible, although 1769 is perhaps a plausible reading for the year.

Based on a minimum count of tack heads, a total of 187 tacks was recovered. Of these 187 tacks, 178 had measurable heads. Fifty measured 1.0 cm, and 128 measured 0.6 cm. The larger tacks were used for the outer portion of the design, and the interior portion of the design was made with the smaller tacks. Although the tacks were badly corroded, they were identified as cast-iron rather than wrought. It is possible they originally had a tin-alloy coating. The manufacture type suggests a post-1760 date for these items.

Two coffin wood samples from Burial 101 were identified as larch. The coffin lid is of special inter-

est because it was split in two longitudinally, having been either a single plank or joined boards that had split under the weight of soil above. A single, vertically oriented nail was recorded in a small strip of wood at the center of the lid. This may represent a small cross brace joining two boards. No other nails were found along the center line. A similarly placed and oriented nail was found on the lid of the coffin in Burial 107, adjacent to the south and believed to be contemporary with Burial 101. Burial 89, in the same grave as Burial 107, also had a coffin that was split down the center of the lid.

The preservation of the skeletal remains was excellent. The man had been placed in the supine position, with his head to the west and his arms resting at his sides. His hands were on the upper legs. The remains fit snugly within the coffin, with both the head and the feet resting against the end boards. In addition to the decorated coffin, artifacts associated with the man’s burial included two straight pins, one on the cranium (with a small tuft of hair) and one on the mid-thoracic vertebrae. Copper staining was also noted on the right parietal and temporal bones during cleaning. Excavators recorded two possible fragments of bone buttons on the medial side of the left leg; however, no buttons were cataloged in the laboratory. Copper staining on the right fibula was also noted.

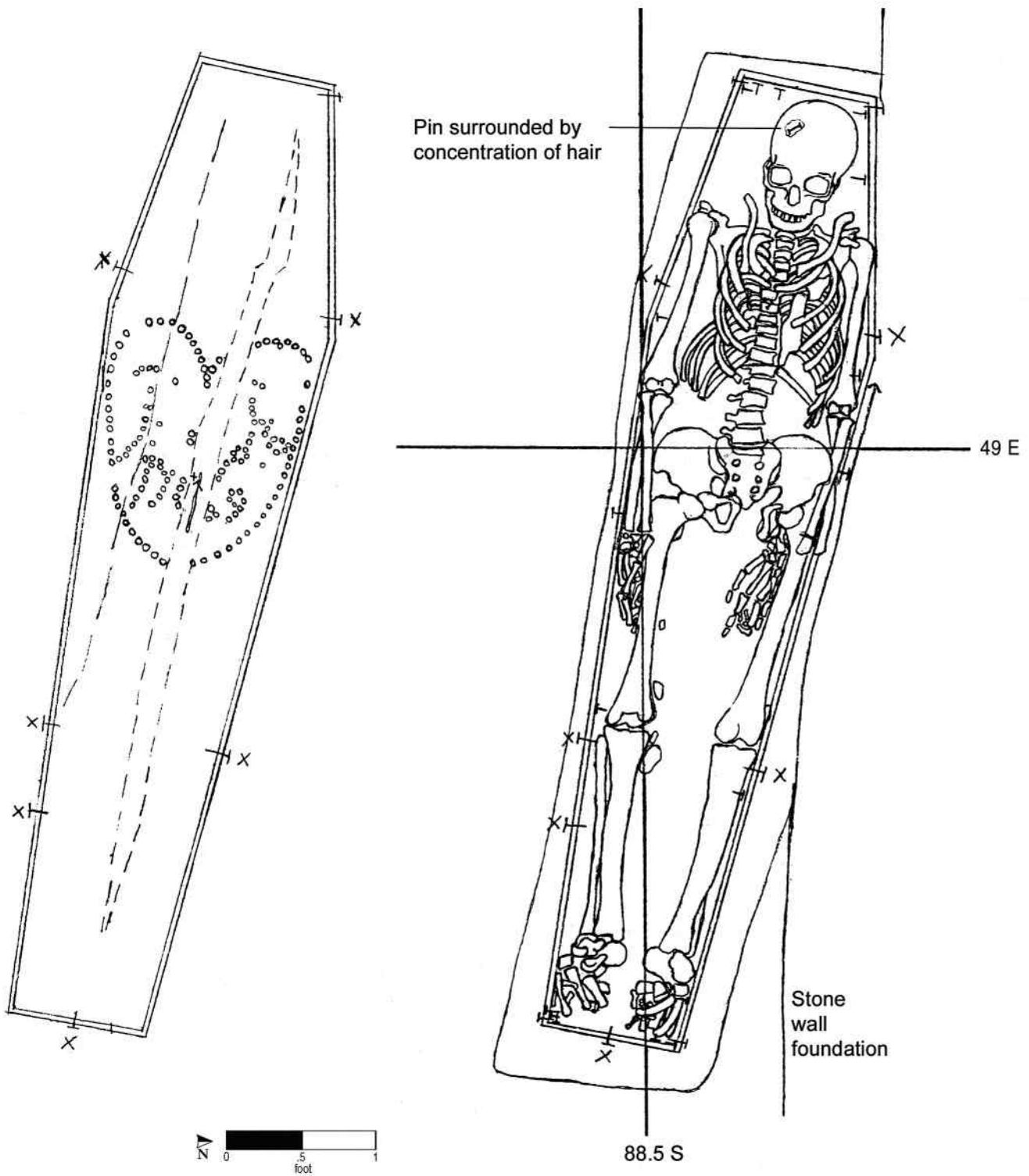
Burial 101 was immediately to the north of Burials 89 and 107. Field drawings indicate there was overlap between the grave-shaft outline of Burial 101 and those of these adjacent burials, but it is not possible to determine which of the graves cut into the other.

Burial 108 was located just a few inches to the northeast of the foot of Burial 101 and about 1 foot higher in elevation. It was excavated a week later than Burial 101, and no mention is made in the records as to the stratigraphic relationship between the two grave shafts. However, a relationship between the burials cannot be ruled out. They are aligned, with a slightly northward orientation. The man in Burial 101 had one of the few decorated coffins in the excavated sample, and it is possible his grave site may have been marked or decorated as well; in this case the placement of the infant, Burial 108, may be seen as deliberate rather than accidental.

The dating of the tacks that formed the coffin decoration (post-1760) place this burial in the Late-Middle Group.

*(continued on page 140)*

### Burial 101 (cont.)



Burial No. 101 (drawn by M. Schur on 12/18/91; Drawing No. 294).

## Burial 102

Catalog No. 844

Datum point: 19

Grid coordinates: S 80.5, E 19

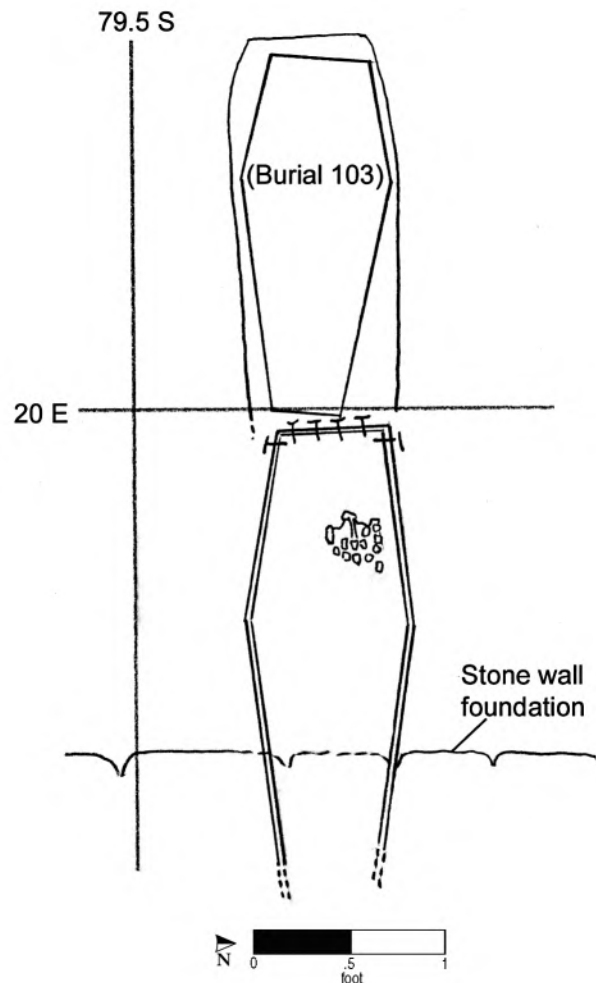
Elevation of teeth: 5.93 feet AMSL

Temporal group: Middle

Burial 102 was of a child between 16 and 32 months of age. The only skeletal remains present were the teeth. Burial 102 lay partly beneath a foundation wall along the east side of Lot 12. This wall truncated the east end of this burial. The grave-shaft outline was generally ovoid and abutted that of Burial 103 to the west so that the boundary could not be distinguished. The shaft fill was not described; one pipe stem fragment was recovered from within it.

The elevation of the coffin lid was recorded at 6.08 feet, the bottom at 5.93 feet. It was hexagonal in shape. The excavators noted that the coffin was in good condition, but no samples were collected in the field for later identification. Some wood was recovered from a soil sample. Nails were recorded in situ only at the head end. One possible tack was identified in the laboratory, but this item was not recovered after the collapse of the World Trade Center on September 11, 2001. The location of the teeth indicated that the infant's head was to the west. There were straight-pin fragments associated with the remains, but the locations were not recorded.

Burial 102 was a few inches to the east of Burial 103, which held an infant, and a few inches higher in elevation. Another probable infant burial, Burial 100, lay immediately to the south of Burial 103, overlain by burials 97 and 98. It is possible that two or more of the child burials were deliberately placed together, although Burial 97, the lone adult, appears to have been later in time and unrelated. Burials 102 and 103 were in a dense concentration of graves that appears to mark the one-time northern edge of the cemetery (as though crowded up against the fence). In the absence of other temporal evidence, Burial 102 is assigned to the Middle Group.



*Burial No. 102 (drawn by M. Schur on 12/17/91; Drawing No. 1294).*

## Burial 103

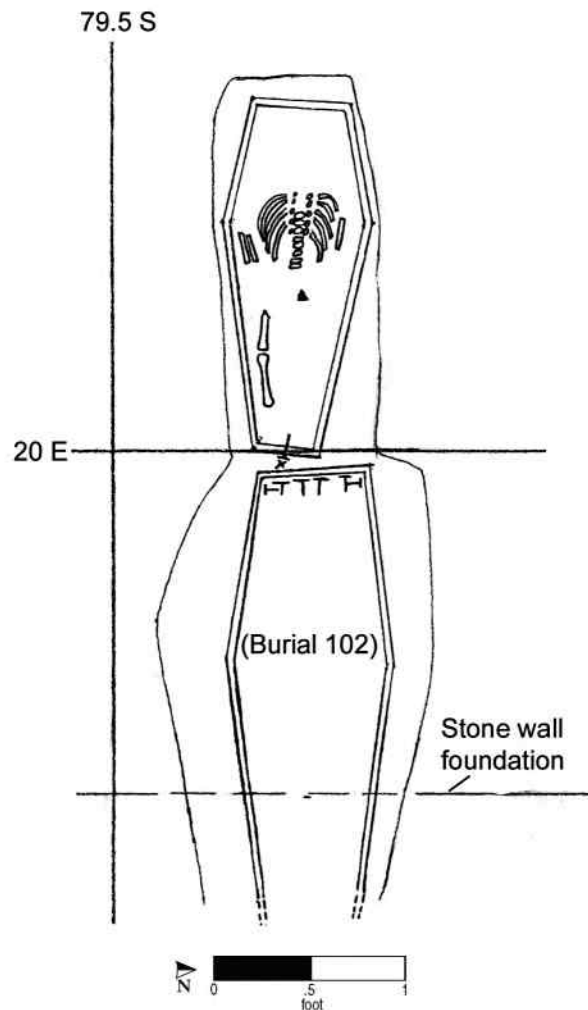
Catalog No. 845  
 Datum point: 19  
 Grid coordinates: S 80.5, E 21  
 Elevation: 5.83 feet AMSL  
 Temporal group: Middle

Burial 103 was of an infant whose precise age could not be determined. The grave was located at the rear of Lot 12, just south of the line of postholes marking a fence that once bounded the cemetery. The shaft outline was rectangular in shape and abutted Burial 102 on the east end so that it was not possible to distinguish a boundary. The associated soil was not recorded.

The elevation of the coffin lid was recorded at 5.83 feet, the bottom at 5.53 feet. It was hexagonal in shape, and the excavators noted that it was in good condition. A single nail was recorded in situ at the foot of the coffin, although there were additional nails and a tack cataloged in the laboratory. Some small nails were recovered from the “coffin interior” soil sample. The nails and tack were not recovered after the collapse of the World Trade Center on September 11, 2001.

The child had been placed in a supine position with the head to the west. There were only a few skeletal remains present, including ribs and the right leg bones. The bones were fragmented and in very poor condition. A straight-pin fragment was recovered from the left upper torso area.

Burial 102 was a few inches to the east of Burial 103 and a few inches higher in elevation. Another probable infant burial, Burial 100, lay immediately to the south of Burial 103, overlain by burials 97 and 98. It seems likely that two or more of the child burials were deliberately placed together, although Burial 97, the lone adult, appears to have been later in time and unrelated. Burials 102 and 103 were in a dense concentration of graves that appears to mark the onetime northern edge of the cemetery (as though crowded up against the fence). In the absence of other temporal evidence, Burial 103 is assigned to the Middle Group.



Burial No. 103 (drawn by M. Schur on 12/17/91; Drawing No. 293).

## Burial 104

Series 30

Catalog No. 847

Datum point: 39 (5.67 feet AMSL)

Grid coordinates: S 89.5, E 61

Elevation of cranium: 3.89 feet AMSL

Temporal group: Middle

Burial 104, located in the former Republican Alley, was of a woman between 30 and 40 years of age. The remains were disturbed, as noted by excavators, by the backhoe during fieldwork. The skull was badly crushed; various cranial and facial bones were missing completely. The grave-shaft fill consisted of dark gray-brown clayey silt, mottled with green-yellow fine silt, and it contained no artifacts other than a tiny fragment of brick. The southern side of the grave outline was not discernible to excavators.

The woman's coffin lid was encountered at an elevation of 4.45 feet based on the elevation of coffin nails found in situ in the northeast corner. The bottom was at approximately 3.5 feet. The field drawings indicate that the coffin was hexagonal in

shape. Nails were recorded in situ around the entire perimeter at the coffin bottom, but the only nails recorded at the top were two in the northeast corner (probably because the burial had been disturbed). The coffin wood was not identified.

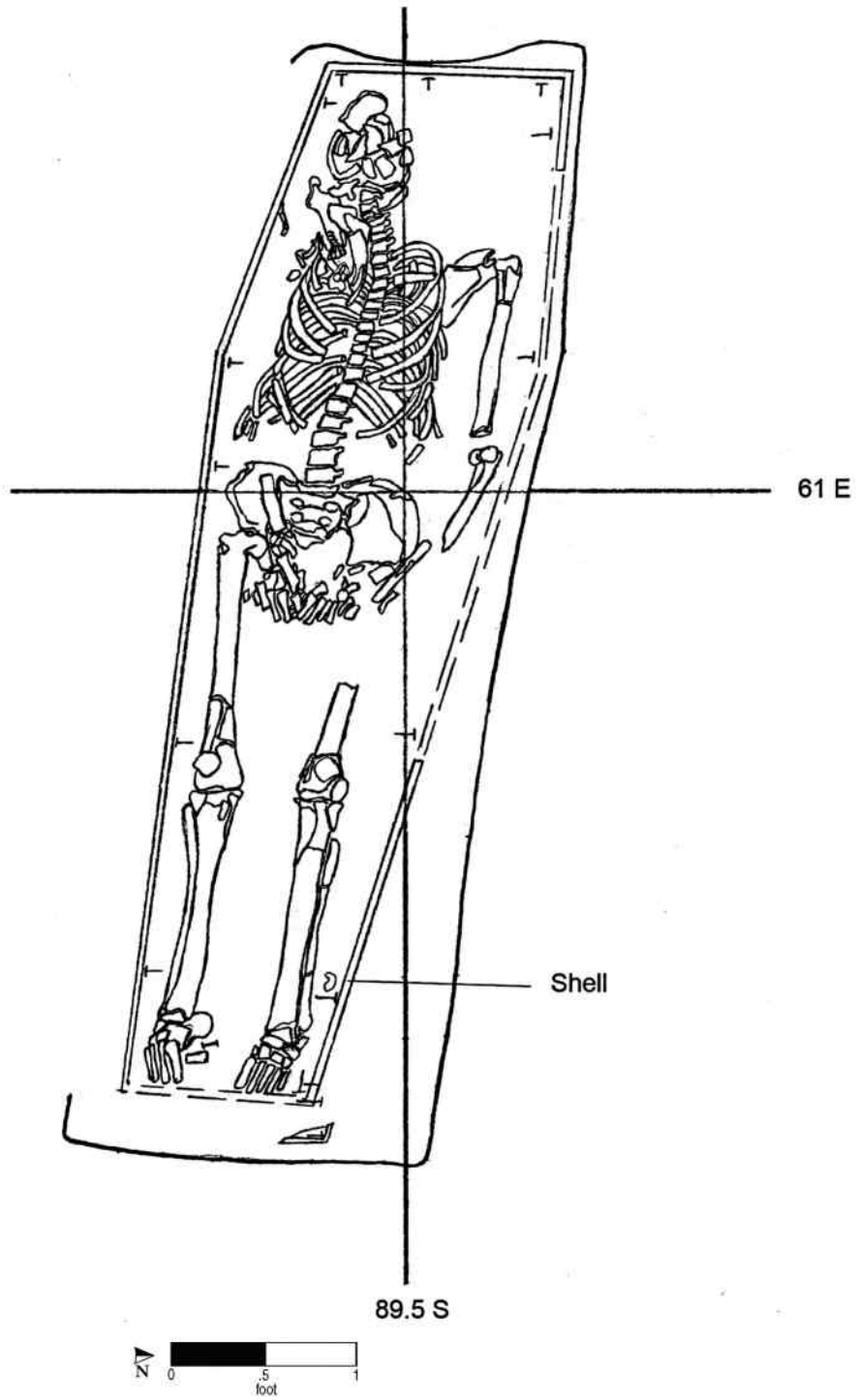
The woman had been placed in the supine position, with her head to the west, her arms resting at her sides, and her hands placed over her pelvis. A piece of hard-shell clam (valve portion) was found near the outside of the woman's left lower leg. This shell was not recovered after the collapse of the World Trade Center. Fourteen straight-pin fragments, including two with pin heads, were recovered from the burial. In the field, excavators noted one pin by the jaw, and one was recorded in situ adjacent to the right foot.

Although no direct stratigraphic relationship was recorded during archaeological fieldwork, it is possible that when the grave for Burial 104 was dug, it partially disturbed a preexisting grave, Burial 113, located immediately to the south.

Absent other temporal evidence, Burial 104 is assigned to the Middle Group.

*(continued on page 144)*

### Burial 104 (cont.)



Burial No. 104 (drawn by M. Schur on 12/23/91; Drawing No. 300).

**Burial 105**

Series 11a

Catalog No. 848

Datum point: 34

Grid coordinates: S 95.5, E 60

Elevation of mandible: 4.37 feet AMSL

Temporal group: Late-Middle

Burial 105, containing the remains of a man between 35 and 45 years of age, was damaged during backhoe clearing of the south edge of the former Republican Alley. Excavators noted that skeletal elements had been displaced from east to west. The southern side of the grave had also been disturbed by a nineteenth-century foundation wall. The grave shaft contained mottled silty clay.

The nineteenth-century foundation trench along the southern side overlay the coffin. The coffin lid was not present; the bottom was recorded at an elevation of 4.22 feet. It was hexagonal in shape, and nails were recorded in situ around the perimeter. No artifacts other than the coffin remains were found in association with the deceased.

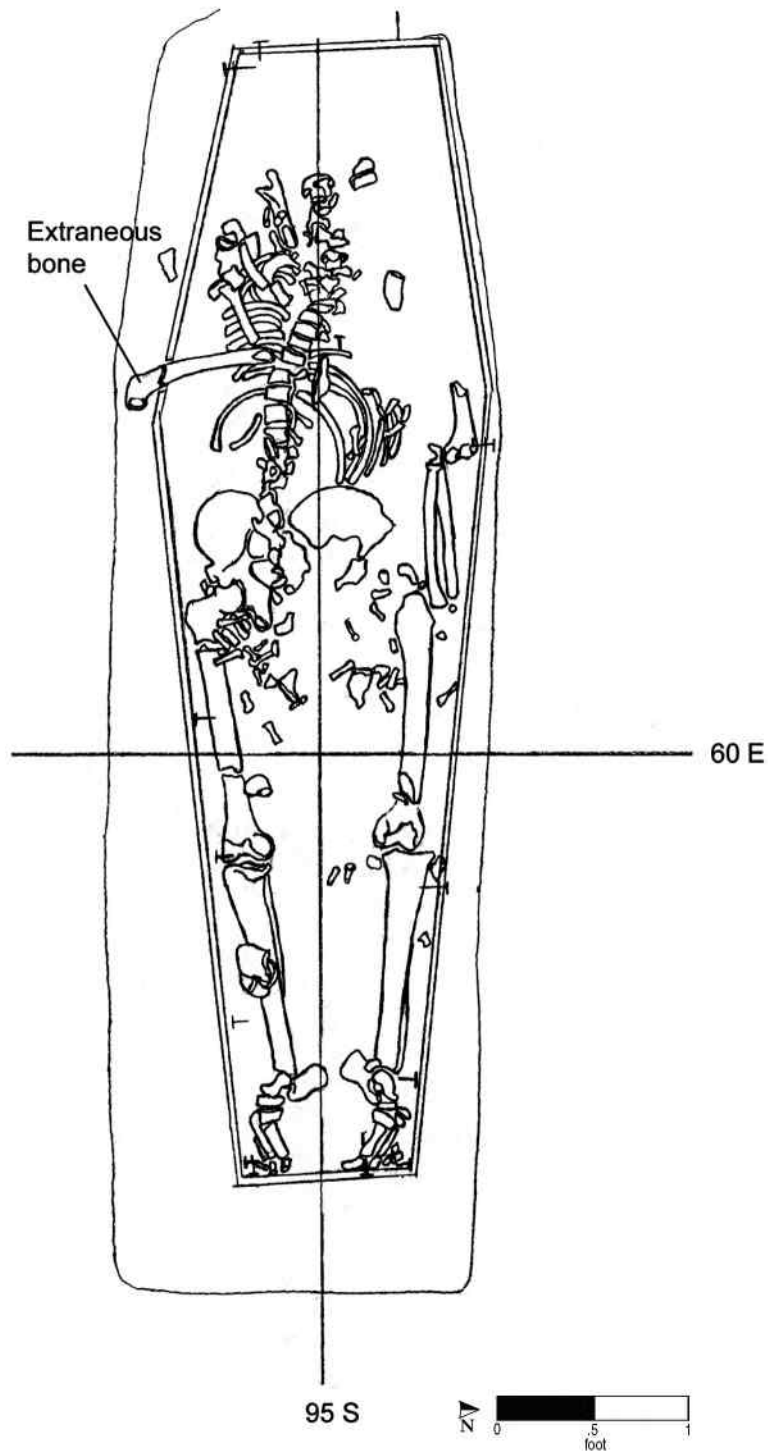
The man was interred in the supine position with his head to the west and his arms either at his sides or resting on the pelvis. The cranium, upper vertebrae, and right arm were all disturbed.

Along the southern side of the burial, excavators found extraneous skeletal elements, a left femur, and pelvis fragments. These may have belonged to another burial that was disturbed when the interment of Burial 105 took place or to a burial that the foundation had destroyed. The grave shaft of Burial 105 appears to have truncated the eastern portion of Burial 118. The eastern end of Burial 105 appears to have cut into another grave shaft, that of Burial 189; however, given the disturbed condition of Burial 189, this sequence cannot be considered definitive. Archaeologists excavated Burial 105, which lay half a foot higher in elevation, 1 month prior to Burial 189 and made no mention of the latter burial's grave-shaft outline.

It is possible Burial 105 was aligned with Burials 122, 113, and 104 to its north. However, it was about a foot higher in elevation, suggesting it was a shallower grave, or the ground surface sloped up toward the south in this location, or soil deposition occurred between the time of the other burials and Burial 105. Because of its stratigraphic position—that is, its apparent truncation of at least one earlier burial—and the possibility that it postdates the burials to the north (with intervening soil deposition), Burial 105 is assigned to the Late-Middle Group.

*(continued on page 146)*

### Burial 105 (cont.)



Burial No. 105 (drawn by M. Schur on 1/3/92; Drawing No. 308).



## Burial 106

Series 11

Catalog No. 849

Datum point: 39

Grid coordinates: S 90.5, E 71

Elevation of cranium: 3.98 feet AMSL

Temporal group: Late-Middle

Burial 106 contained the remains of a probable woman between 25 and 35 years of age. It was located in the former Republican Alley, to the rear of Lot 14. The grave shaft was obscured in its southern and eastern portions by Burials 99 and 148. The fill consisted of stony mixed silt, and it contained a fragment of locally manufactured blue-painted ceramic (mentioned as lost in the field), a prehistoric lithic artifact, and nails that may have been from an upper, disturbed burial. The lithic and nails were not cataloged, and if they were in fact brought to the laboratory, they were misplaced; in any case they were never recovered after the September 11, 2001 World Trade Center collapse. The eastern portion of the grave shaft had been partially disturbed during backhoe excavation of overlying soil, and in this area excavators noted that the soil was very hard, presumably compacted by the backhoe.

The coffin lid was first encountered at an elevation of 4.62 feet in the northwest corner and sloped down eastward to an elevation of 4.27 feet in the northeast corner. The bottom was at elevations of 3.87 feet in the west to 3.48 feet in the east. The coffin was hexagonal, and its end boards were

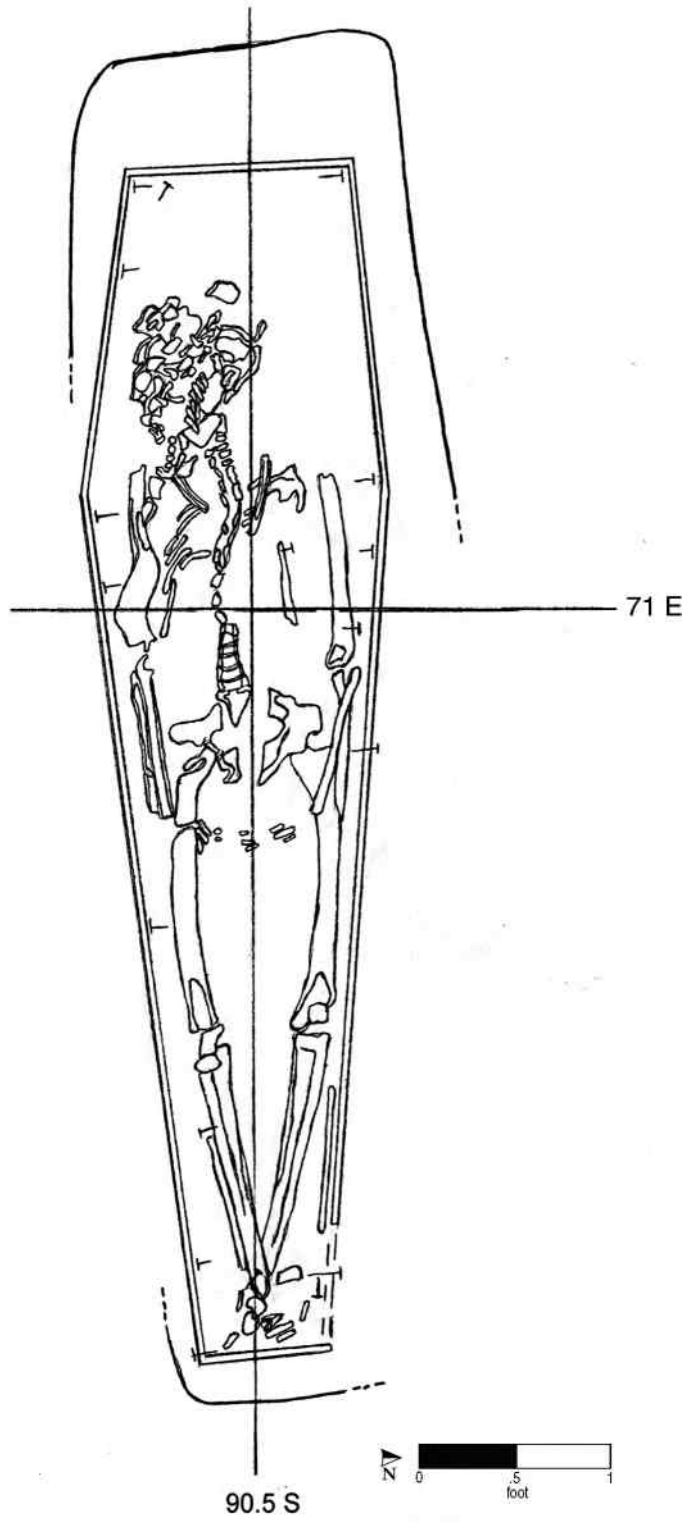
slanted outward at the top. It was noted that this might have been the result of the backhoe disturbance. The woman had been placed in the supine position, with her head to the west and arms resting at her sides. No artifacts other than coffin remains were associated directly with the burial. The skeletal remains sustained damage from construction activity and excavation. The skull had been crushed by the backhoe. The proximal ends of the humeri were also crushed; minute fragments of crushed bones were lying to the north of the skeleton. Excavators scarred the right femur during excavation, and the hand bones were partially troweled away.

The south part of the grave shaft of Burial 106 was overlain or cut by, and thus predates, the severely disturbed Burial 99. It appears that the north side of Burial 106 lay above the south side of the grave cut for Burial 218, suggesting that Burial 106 postdates Burial 218. The latter in turn overlay two earlier interments, Burials 263 and 272. Burial 119 lay approximately 1 foot to the north of Burial 106, at approximately the same elevation. Because of its stratigraphic position, Burial 106 is placed in the Late-Middle Group.

A later archaeological feature, a posthole, was located immediately adjacent to the northeast corner of Burial 106. It appears to have cut into the grave shaft, if not the coffin itself. No mention of the posthole was made in the field notes; it is shown in photographs and is indicated on the drawing for Burial 263 to the north. This posthole was not given a feature designation, and there is no record of its contents.

*(continued on page 148)*

### Burial 106 (cont.)



*Burial No. 106 (drawn by M. Schur on 1/3/92; Drawing No. 307).*

## Burial 107

Series 10

Catalog No. 850

Datum point: 33

Grid coordinates: S 90, E 48

Elevation of cranium: 4.19 feet AMSL

Temporal group: Late-Middle

Burial 107 yielded the remains of a woman between 35 and 40 years of age. The grave was located in the former Republican Alley, to the rear of Lot 13. It was discovered after the removal of Burial 89, which overlay and had partly slumped into the southern portion of Burial 107. The fill of the grave shaft contained small fragments of animal bone but no other artifacts.

The coffin lid was first encountered at an elevation of 4.49 feet in the southeast corner. The coffin was hexagonal in shape. Numerous nails were recorded in situ around the top and bottom perimeter. After the coffin lid was fully exposed, it was sketched, showing a large gap running lengthwise down the center. The absence of nails along the center line suggests the lid was a single plank that had split or was of two planks joined with glue and perhaps a cross piece. A single vertically oriented nail recorded in the center of the coffin lid may be intrusive from Burial 89 or may have attached such a cross piece. The coffin of Burial 89 also had a split lid, and it is noted that so did that of Burial 101. The latter also had a vertical nail in the center of the lid, suggesting a very similar coffin construction, although the Burial 107 lid was not decorated. A wood sample from Burial 107 was identified as fir; the coffin of Burial 101 was made of larch.

The woman in Burial 107 had been placed in the supine position with her head to the west, her arms at her sides, and her hands resting above her pelvis. The skeletal remains were in poor condition. The woman's ribs and vertebrae were disarticulated and scattered within the coffin, apparently from the lid collapse and possibly from disturbance by rodents, as noted by excavators. Numerous fragments of

mammal bones from the shaft fill support the identification of a rodent disturbance. Two straight pins were found within the burial, one on the sternum (breast bone) and one near the left forearm. A tuft of hair was recorded on the cranium.

A single bead was found near the woman's ear during laboratory cleaning of the cranium. The drawn glass bead was cylindrical and colored opaque "redwood" red on the surface with a transparent apple-green core. The diameter was 0.31 cm and the length was 0.9 cm.

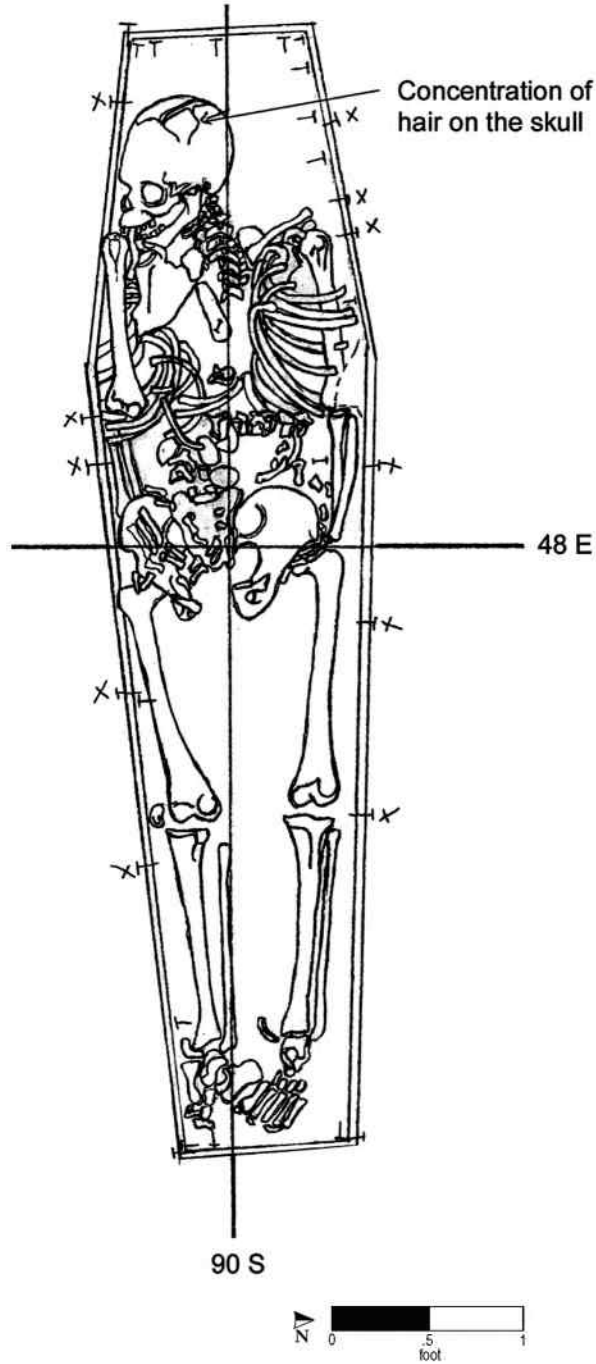


Burial 107 was immediately below Burial 89, offset 0.7–0.8 feet to the north. The drawing of the grave-shaft outline for Burial 89 suggests that the two individuals shared a single shaft. The two women may have had similarly constructed coffins.

Burial 101 was immediately to the north of Burials 89 and 107. Field drawings indicate there was overlap between the two grave-shaft outlines, but it is not possible to determine which of the graves cut into the other. Because the grave for Burials 89 and 107 cut into Burial 111, an infant's grave (which is unusual at this cemetery and may indicate that the grave digger did not know of the earlier grave), and because it is hypothesized that Burial 89 is roughly contemporaneous with surrounding Burials 101, 95, and 109, Burial 107 is assigned along with these others to the Late-Middle Group.

*(continued on page 150)*

## Burial 107 (cont.)



Burial No. 107 (drawn by M. Schur on 12/27/91; Drawing No. 301).

## Burial 108

Catalog No. 851

Datum point: 34

Grid coordinates: S 87.5, E 53

Elevation of cranium: 5.40 feet AMSL

Temporal group: Late-Middle

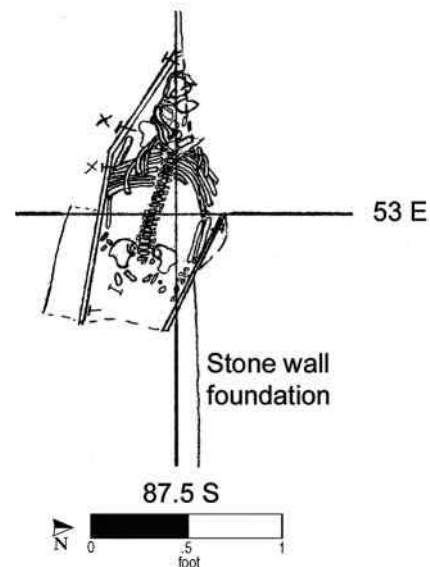
Burial 108, located along the north edge of the former Republican Alley, at the rear of former Lot 14, yielded the remains of an infant between 3 and 9 months old. The eastern end of the grave was truncated by a backhoe during clearing for the excavations, and the northeastern edge was cut by the rear foundation of one of the structures that once stood on Lot 14. Only a small portion of the southern edge of the grave-shaft outline was visible. The fill of the grave shaft was described as mottled silty clay. Excavation records mention that a cranial fragment, unrelated to Burial 108, was found above the skeletal remains on the north side. No other material was recovered from the grave fill.

The coffin lid was first recorded at an elevation of 5.46 feet and the bottom at 5.0 feet. The backhoe disturbance continued through the coffin, removing the entire eastern portion. The northwest section of the coffin was also missing, truncated by the stone foundation. Nevertheless, the coffin shape was clearly hexagonal, and nails were recorded in situ along the south and north sides, at both top and bottom. A wood sample was later identified as pine. The infant had been placed with the head to the west, arms resting at the sides. The legs and feet had been removed by the backhoe, and portions of the cranium were missing where the foundation had cut into the grave.

Other than the coffin, the only artifacts found in association with the infant's remains were straight

pins, recorded near the mandible, left ribs, middle vertebrae, and right ischium (part of the pelvis). Five pin fragments were cataloged in the laboratory.

Burial 108 was located just a few inches to the northeast of the foot of Burial 101 and about 1 foot higher in elevation. It was excavated a week later than Burial 101, and no mention is made in the records as to a stratigraphic relationship between the two grave shafts. A relationship between the burials cannot be ruled out. They are aligned, with a northwesterly orientation. Because the man interred in Burial 101 had a decorated coffin (one of the few found in the excavated cemetery), it is not unreasonable to suggest that his grave surface may have been marked or decorated as well, in which case the placement of the infant may be seen as deliberate rather than accidental. Because of this possible association, Burial 108 is placed in the Late-Middle Group.



*Burial No. 108 (drawn by M. Schur on 12/27/91; Drawing No. 302).*

## Burial 109

Series 10

Catalog No. 852

Datum point: 34

Grid coordinates: S 90.5, E 54

Elevation of cranium: 4.32 feet AMSL

Temporal group: Late-Middle

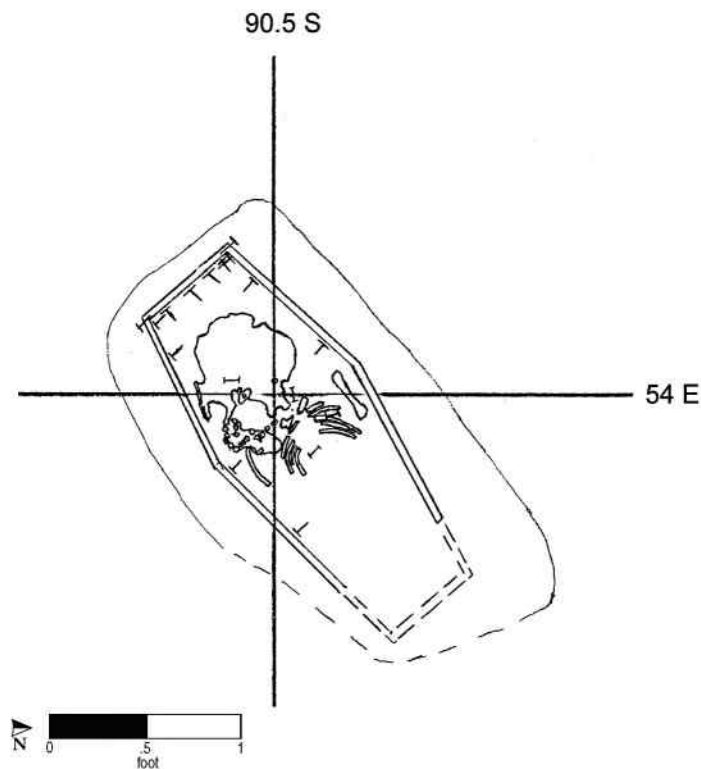
Burial 109 was of an infant between 8 and 16 months old. The grave was located within the former Republican Alley, at the rear of former Lot 14. Its shaft was filled with hard-packed mottled silty clay. The eastern end of the grave was truncated by a backhoe during excavation and was obscured.

The coffin lid was encountered at an elevation of 4.63 feet in the northwest corner and 4.13 feet in the northeast corner; these elevations were based

on coffin nails found in situ. The base of the coffin was at an elevation of 4.18 feet in the center of the burial. A wood sample was identified as pine. The coffin was hexagonal, and the infant was placed in the supine position with the head to the west. The remains were in poor condition, and the lower extremities were missing, probably because of backhoe damage. Four shroud pins were found, one on the cranium, one near the jaw, and two on the ribs. The one on the cranium adhered to a fragment of linen.

Burial 109 was located just northeast of Burial 111, half a foot lower in elevation. It may have truncated the east side of Burial 111, thus postdating it.

The grave of Burials 89 and 107 also truncated Burial 111. Because of its stratigraphic position, Burial 109 has been assigned to the Late-Middle Group.



*Burial No. 109 (drawn by M. Schur on 12/29/91; Drawing No. 304).*

## Burial 110

Series 11

Catalog No. 853

Datum point: 40

Grid coordinates: S 90, E 78

Elevation of cranial fragments: 5.33 feet AMSL

Temporal group: Undetermined

Burial 110, located in the former Republican Alley, consisted of a small pile of secondarily deposited cranial fragments of an infant less than 2.5 months old. The soil surrounding the fragments consisted of gray-brown fine sandy silt, adjacent to yellow clay and deposits of overburden and brick. Excavators noted that there was no visible coffin outline. The bone was first recorded at an elevation of 5.33 feet, and the lowest elevation was 4.94 feet. Two nails were found with the bones. Excavators

noted green stains on the skeletal fragments, which they believed might be from green linoleum from a twentieth-century structure rather than stains from decomposed copper-alloy pins.

The bones assigned to Burial 110 lay 0.61 feet above an intact burial, Burial 123. Several other very disturbed burials, including Burials 99, 117, and 112, were located nearby. It seems likely that these burials lay within the uppermost, and latest, stratum of the burial ground and were thus exposed to disturbances from nineteenth-century construction as well as from heavy machinery during the current project.

The field drawing did not represent remains in situ within a grave and/or does not provide information on a burial context; therefore it has not been reproduced.

## Burial 111

Series 10

Catalog No. 854

Datum point: 34

Grid coordinates: S 91.5, E 52

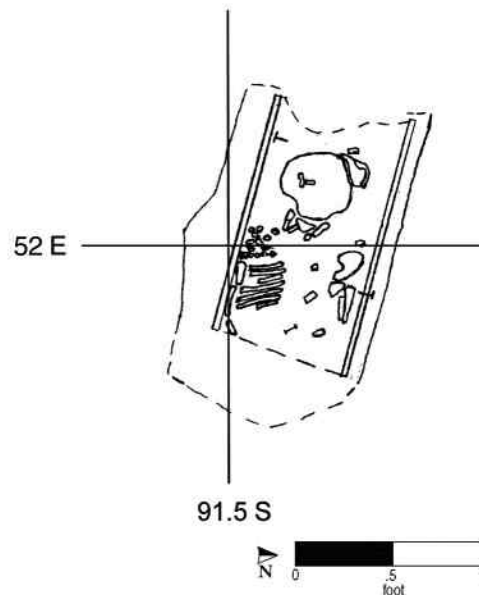
Elevation of cranium: 4.87 feet AMSL

Temporal group: Middle

Burial 111 was of a child between 8 and 16 months old. The grave was located within the former Republican Alley. It had been partially disturbed along the western edge by the grave shaft for Burials 89 and 107. The grave shaft, coffin, and skeletal remains were also truncated on the east, but no cause is suggested in the field records. Machine damage, which is recorded nearby, is a possible explanation. Alternatively, it is possible that Burial 111 was disturbed on the east by the grave shaft of Burial 109, located to the northeast of Burial 111, 0.5 feet lower in elevation and intact. There is a discrepancy in the recordation of Burials 109 and 111, however, that leaves their relationship unclear.

The Burial 111 coffin lid was recorded at an elevation of 4.88 feet, the base at 4.83 feet. It was probably four sided in shape. The infant had been placed with the head to the west. The remains were in poor condition, fragmented and disarticulated, and had to be removed as a single unit with surrounding soil. A single straight pin was recorded in the stomach area but was not recoverable.

Burial 111 was partially cut by and thus predates Burial 89. It may also have been truncated by the grave shaft for Burial 109. Burial 111 is assigned by default to the Middle Group.



*Burial No. 111 (drawn by M. Schur on 12/29/91; Drawing No. 303).*



## Burial 112

Catalog No. 855

Datum point: 40

Grid coordinates: S 89, E 82.5

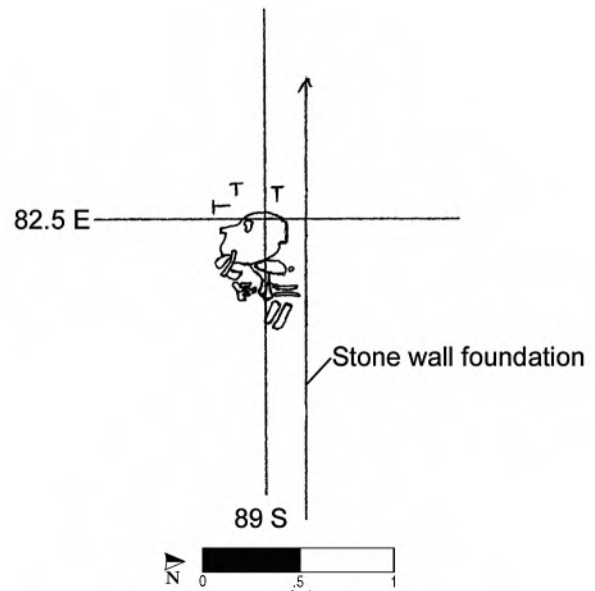
Elevation of cranium: 4.52 feet AMSL

Temporal group: Middle

Burial 112, located along the north edge of the former Republican Alley, contained the remains of an infant between 3 and 9 months old. These remains consisted of crushed and fragmented bone. Associated soil was described as compacted sandy clay, presumably the grave fill, from which no artifacts were recovered. A stone foundation for a Duane Street building had cut into this grave along the north side.

Excavation began at an elevation of 4.54 feet. No coffin wood or wood stains were identified, although three nails were found, apparently in situ,

on the west side, suggesting the head of a coffin. Four pins or green stains of pins were recorded in situ as well, but none was recoverable. Based on the position of the nails and the crushed cranial fragments, the infant appears to have been placed with the head to the west. Absent temporal evidence, Burial 112 is assigned to the Middle Group.



*Burial No. 112 (drawn by M. Schur on 1/4/92; Drawing No. 309).*

## Burial 113

Catalog No. 856

Datum point: 38

Grid coordinates: S 91.5, E 60

Elevation of highest skeletal remains: 3.62 feet AMSL

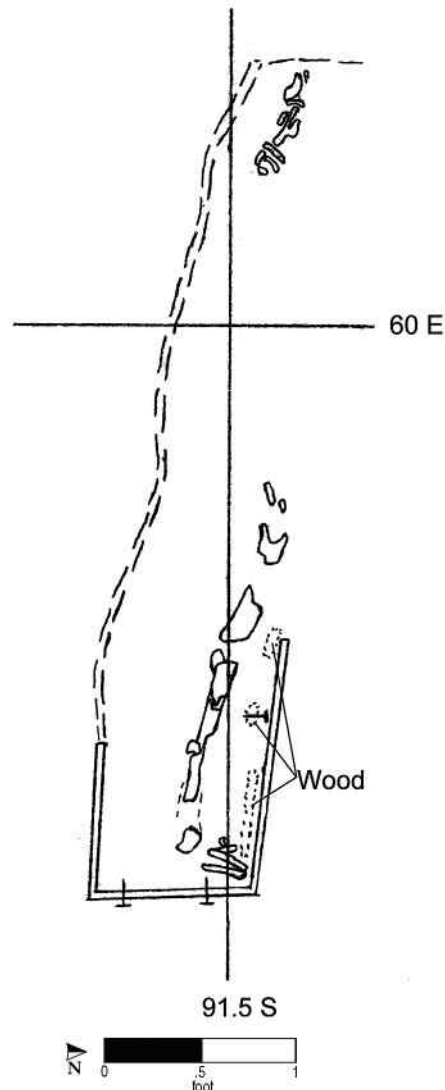
Temporal group: Middle

Burial 113, located in the former Republican Alley, to the rear of former Lot 14, was very disturbed, possibly by recent construction activity, although earlier disturbance cannot be ruled out. Only a few bones from the jaw and lower left limb bones were extant. The remains were of an adult of undetermined age and sex. No soil description for the grave-shaft fill or surrounding soil was provided in the field notes. A curved wood fragment recovered from the fill was cataloged as a possible handle of some kind but may well have been natural. This item was not recovered after the collapse of the World Trade Center on September 11, 2001.

A coffin lid was first encountered at an elevation of 3.68 feet at the foot (east) end. Only the eastern end of the coffin was intact; the south side could be vaguely identified from staining. Three coffin nails were recorded in situ, two at the top of the foot-board and one along the north side. It was not possible to determine the shape of the coffin, nor was the wood identified. It is clear, however, that the individual was interred with the head to the west, based on the position of skeletal fragments in the burial. The highest skeletal elements (the left foot and a cranial fragment) were recorded at an elevation of 3.62 feet. No artifacts other than the coffin remains were found in association with the burial.

Burial 113 lay between Burial 104 (to the north) and Burial 122 (to the south). The relationship

among the three cannot be determined. All were at similar elevations, although Burial 113 was much more disturbed than the other two. Burial 113 may have been slightly shallower originally, thus more susceptible to construction-related disturbance. Alternatively, it may have been disturbed by the surrounding interments. These three burials may have been aligned with each other and with Burial 105 to their south. In the absence of other temporal evidence, Burial 113 has been assigned to the Middle Group.



*Burial No. 113 (drawn by M. Schur on 1/15/92; Drawing No. 326).*

**Burial 114**

Catalog No. 857

Datum point: 41

Grid coordinates: S 94.5, E 91

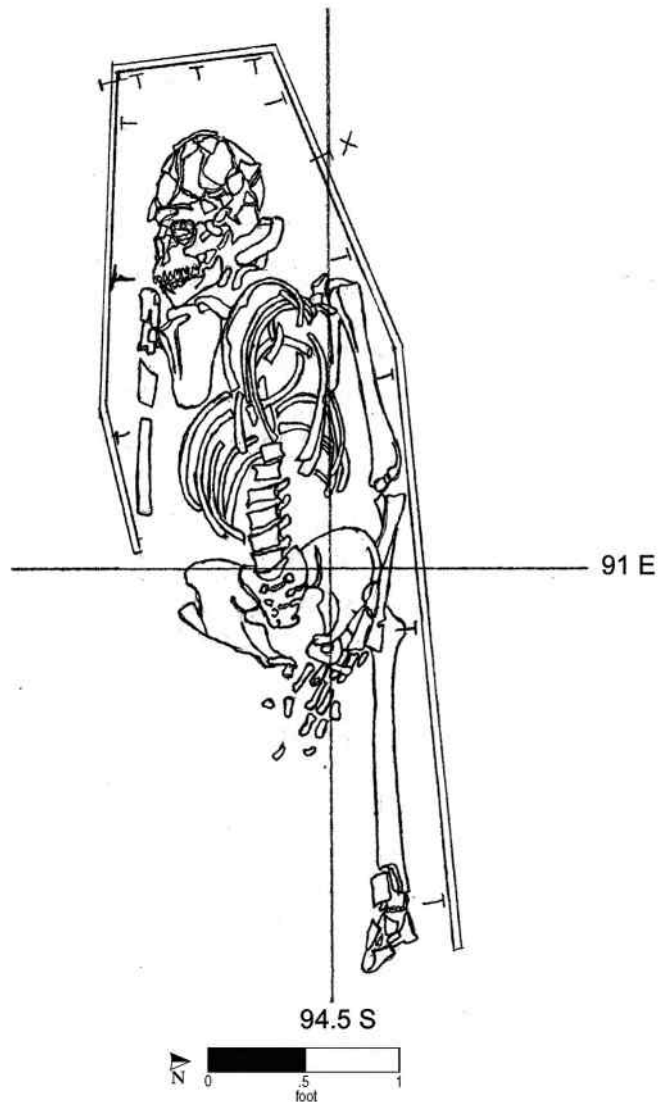
Elevation of cranium: 3.79 feet AMSL

Temporal group: Middle

Burial 114, located in the former Republican Alley, to the rear of former Lot 15, was of a man between 45 and 50 years of age. The associated soil was described as gray-brown sandy silt with yellow inclusions of fine silt and rock, but no grave-shaft outline was recorded. The burial had been disturbed, and the southeast portion truncated. Field notes indicate machine damage, but it is also possible this area was disturbed by nineteenth-century construction.

The man's coffin lid was encountered at an elevation of 4.02 feet, the bottom at 3.24 feet. It was hexagonal in shape. No nails were recorded at the top, but many were recorded in situ around the bottom perimeter. The man had been placed in the supine position with his head to the west and with his hands resting over his pelvis. His skeletal remains were in poor condition; the skull was crushed and the right hand, right leg, right upper ilium, and the distal end of the left leg were missing because of construction disturbance. The right ribs were pushed up and to the left. Examination of this individual's dentition, both in the field and laboratory, identified deliberate modification, specifically mesial filing. No artifacts other than the coffin itself were found in association with the deceased.

Burial 114 did not overlap with any other excavated burial. It appears to have been part of a roughly discernable northwest-to-southeasterly row of graves. This row may reflect a contour in the original landscape. Lacking evidence to place Burial 114 earlier or later in time, we have assigned it to the Middle Group.



*Burial No. 114 (drawn by M. Schur on 1/4/92; Drawing No. 310).*

## Burial 115

Series 12

Catalog No. 858

Datum point: 41

Grid coordinates: S 89.5, E 89

Elevation of cranium: 3.81 feet AMSL

Temporal group: Middle

Burial 115, located along the north side of the former Republican Alley, at the rear of Lot 15, yielded the remains of a woman between 25 and 35 years of age. The rear foundation wall for a Duane Street structure lay above the north edge of the grave. The side of the grave-shaft outline was not visible, but the foundation wall apparently had not disturbed the coffin itself. The fill in the shaft was described as mottled silty clay; no artifacts were recovered from this soil.

The coffin lid was at an elevation of 4.12 feet and the bottom at 3.47 feet. It was hexagonal in shape. The woman had been placed in the supine position with her head to the west and her arms placed at her sides. The skeletal remains were in fair condition. A copper-alloy ring was found on the woman's left

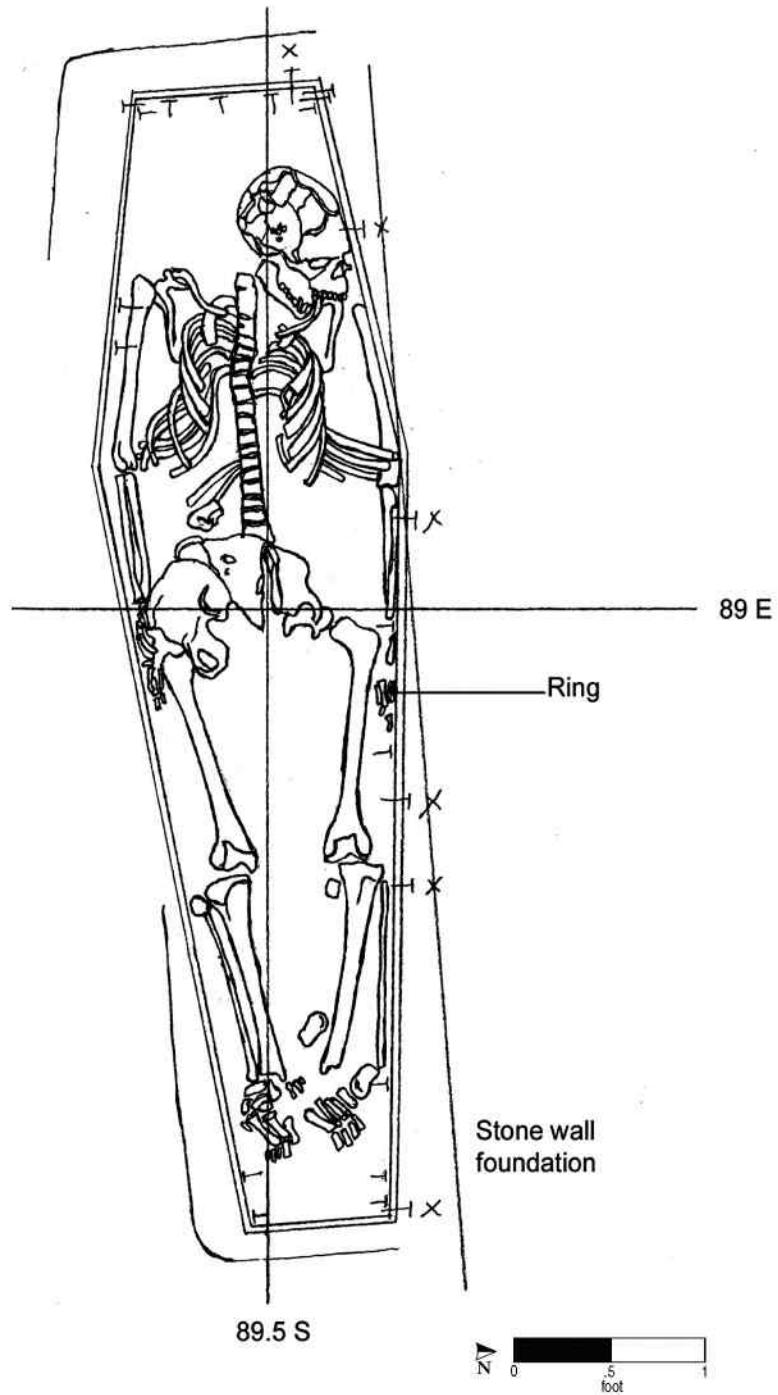


hand. The ring, found in two pieces, was 1.8 cm in diameter and plain.

Burial 115 was immediately south of the grave that contained a woman and children, Burials 142, 144, and 149. Burial 115 was at approximately the same elevation as Burial 142, but it appears to have cut into and slightly disturbed the southwest portion of the latter's coffin, and thus it was probably the later of the two graves.

In the absence of other temporal evidence, Burial 115 is assigned to the Middle Group.

Burial 115 (cont.)



Burial No. 115 (drawn by M. Schur on 1/5/92; Drawing No. 311).

## Burial 116

Series 13

Catalog Nos. 861 and 2148

Datum point: 40

Grid coordinates: S 95.5, E 81.5

Elevation of cranium: 3.64 feet AMSL

Temporal group: Middle

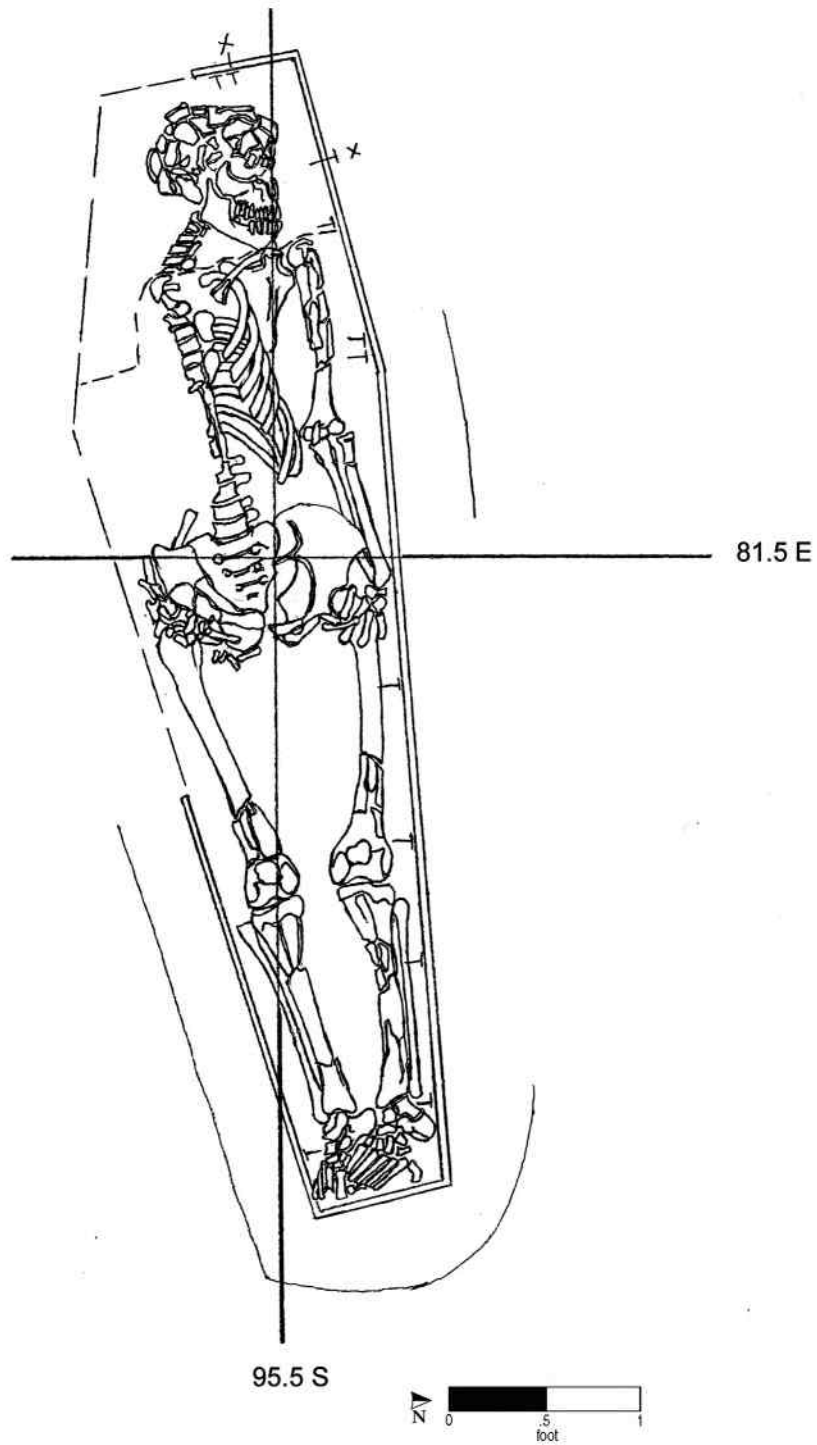
Burial 116 was of a man between 45 and 55 years of age. The grave was located near the south edge of the former Republican Alley. Associated soil was described as yellowish brown clay with sand. The grave-shaft fill contained two ceramic items that likely came from the nearby stoneware kiln, a kiln spacer and a waste sherd. It should be noted, however, that the shaft had been disturbed. The south side had been disturbed by construction and/or demolition episodes, marked by a deposit containing rubble, brick, and galvanized wire. In addition, the burial was damaged by the backhoe during fieldwork; excavators noted that this damage accounted for the loss of the right ribs and arm.

The man's coffin lid was first encountered at an elevation of 4.29 feet based on coffin nails recorded in situ in its north wall. The western end of the

burial was lower in elevation than the eastern end, which had slumped into the adjacent Burial 154. The man had been placed in the supine position in a hexagonal coffin. His head was to the west, his arms were at his sides, and his hands rested on his pelvis. A small stone was recovered from an abdominal soil sample. This item was cataloged but was not salvaged from the laboratory after the collapse of the World Trade Center.

Burial 116 was the first to be exposed in what turned out to be a group of three graves. Superimposed Burials 133 and 154 were found lying immediately to the west of Burial 116. The precise spatial relationship between Burial 116 and Burial 133 is somewhat unclear from the field records; they appear to have been placed end to end, with the head of Burial 116 at the foot of Burial 133. The foot of Burial 154 apparently lay beneath the head end of Burial 116. A separate catalog number, No. 2148, was assigned in the laboratory to material collected in the area where Burial 116 and Burial 154 overlapped. These artifacts included nail and bone fragments. All three burials, Burials 116, 133, and 154, are assigned to the Middle Group, absent temporal evidence that would place them otherwise.

Burial 116 (cont.)



Burial No. 116 (drawn by M. Schur on 1/10/92; Drawing No. 315).

## Burial 117

Series 11

Catalog No. 862

Datum point: 40

Grid coordinates: S 91.5, E 76.5

Elevation of highest skeletal remains: 4.14 feet AMSL

Temporal group: Late

Burial 117 contained the highly disturbed remains of a fetus. Excavators recovered only a few bone fragments. No description of the grave shaft was recorded, and no remains of a coffin were preserved. The highest elevation recorded was 4.04 feet. One nail fragment, which was not clearly from a coffin, was recovered.

Burial 117 overlay Burial 131. Only one bone (assessed as an infant) was recovered from Burial 131, and it is possible the two burials represent a single individual. Several other very disturbed burials, including Burials 99, 110, and 112, were located nearby. It seems likely that these burials lay within the uppermost, and latest, stratum of the burial ground and were thus exposed to disturbances from nineteenth-century construction as well as from heavy machinery during the current project.

The field drawing did not represent remains in situ within a grave and/or does not provide information on a burial context; therefore it has not been reproduced.



## Burial 118

Series 11a

Catalog No. 863

Datum point: 34

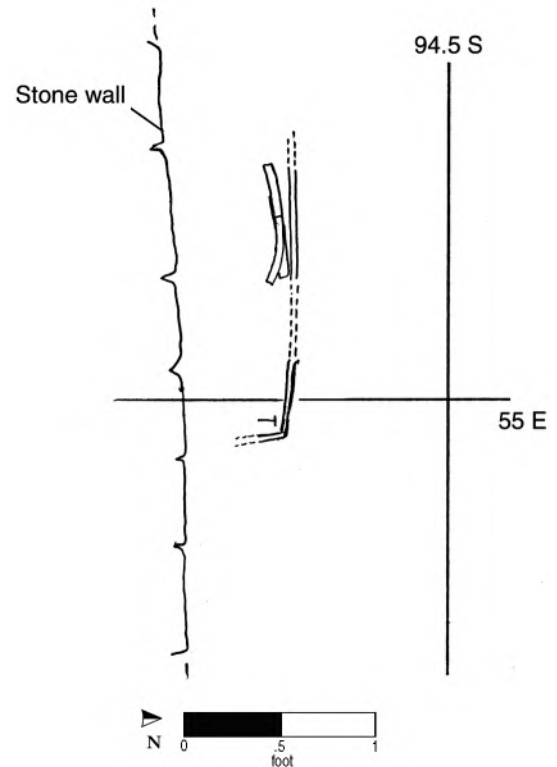
Grid coordinates: S 94.5, E 55

Elevation of highest skeletal remains: 4.18 feet AMSL

Temporal group: Middle

Burial 118 held the remains of an adult of undetermined sex and age. The grave was located along the southern edge of the former Republican Alley, and a foundation trench obscured the southern portion of the shaft. The grave shaft contained mottled silty clay. Burial 105 also had disturbed the eastern end of the burial.

The coffin lid was first encountered at elevations of 4.26–4.43 feet along the remaining portion of the north side, and the bottom was reached at 4.18 feet. The southern, eastern, and part of the western side of the coffin had been destroyed by the stone foundation and Burial 105. A single nail was recorded in situ at the northwest corner of the coffin. It was not possible to determine the coffin shape or the position of the remains within the coffin. All that remained of the individual were rib fragments found along the north side of the burial. No artifacts other than the coffin remains were found. Lacking temporal evidence from artifacts or location, the burial is placed in the Middle Group.



*Burial No. 118 (drawn by B. V. L. on 1/6/92; Drawing No. 320).*

## Burial 119

Series 11

Catalog Nos. 864 and 1197

Datum point: 40

Grid coordinates: S 88.5, E 72

Elevation of cranium: 3.79 feet AMSL

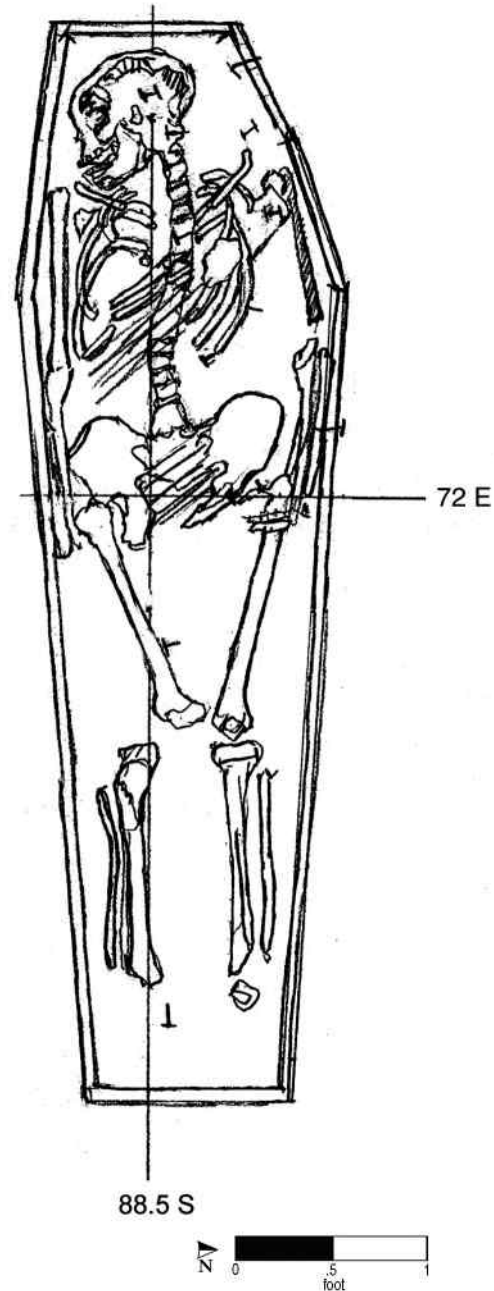
Temporal group: Late-Middle

Burial 119 was of a man between 35 and 45 years of age. The grave was located within the former Republican Alley, at the rear of Lot 14. Its shaft fill was described as silty sand; no artifacts were recovered.

The coffin lid was first encountered at an elevation of 3.91 feet based on nails found in situ, and the bottom was at 3.44 feet. The coffin was hexagonal in shape and the man had been placed in the supine position. His head was to the west and his arms were resting at his sides. The skeletal remains were in fair condition, but portions of the hands and feet were missing.

Three pins were recorded in situ, one on the cranium, one to the left of the cranium, and one on the left scapula. Only two pin fragments were recovered and cataloged. An unidentified possible shell fragment was also recovered from the left side of the head.

Burial 119 truncated the eastern half of Burial 120. It appears that during the interment of Burial 119, disturbed bones from Burial 120 were laid aside to the north, immediately alongside the coffin of a third burial, Burial 202. Thus the Burial 119 interment occurred after both Burials 120 and 202 were already in place. Burial 119 also lay above Burial 218, which in turn lay above Burials 263 and 272. Because of its stratigraphic position, Burial 119 is placed in the Late-Middle Group.



*Burial No. 119 (drawn by E. S. on 1/14/92; Drawing No. 324).*

**Burial 120**

Series 11

Catalog Nos. 865 and 1188

Datum point: 40

Grid coordinates: S 86.5, E 70

Elevation of cranium: 3.54 feet AMSL

Temporal group: Early

Burial 120 was of a woman between 25 and 34 years of age. The grave was located in the former Republican Alley, to the rear of former Lot 14. The grave-shaft fill was described as a mixture of sand, silt, and clay; no artifacts were recovered from it. The eastern half of the grave had been removed during the later interment of Burial 119.

The woman's coffin lid was first exposed at an elevation of 4.36 feet based on recorded elevations of coffin nails found in situ in the center of the west end. Portions of the north and south coffin walls were also present. As excavation continued in order to expose the woman's remains, Burial 119 was encountered. Excavation of Burial 120 was halted to fully expose Burial 119. Excavation continued approximately 1 month later. The Burial 119 coffin

bottom was reached at an elevation of 3.25 feet.

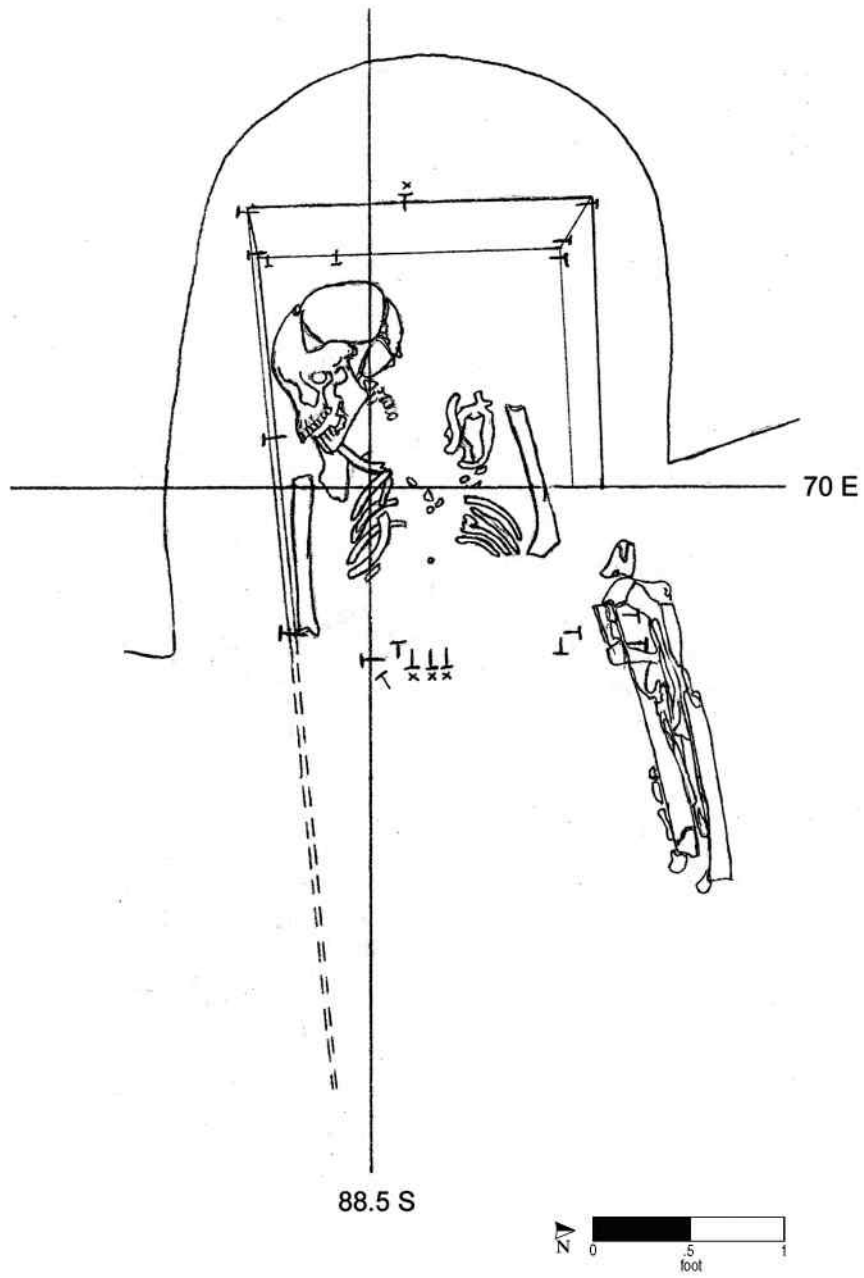
During excavation of Burial 202 to the north, the disarticulated leg bones belonging to Burial 120 were discovered in a small pile, wedged between Burial 202 and Burial 119. These remains were assigned Catalog No. 1188. Apparently when the interment of Burial 119 took place, the grave digger laid the displaced bones from Burial 120 alongside the coffin of Burial 202.

The coffin of Burial 120 does not appear to have had shoulders; it was wider at the head, and based on the field drawings, it probably tapered from head to foot. The woman had been placed in the supine position; the truncation of this woman's burial made it impossible to determine the arm position. No artifacts other than the coffin itself were found in association with this burial.

Because the coffin was likely four sided and tapered, and because the later Burial 119 truncated more than half the grave (suggesting its presence was unknown to the grave digger), Burial 120 is placed in the Early Group.

*(continued on page 166)*

### Burial 120 (cont.)



Burial No. 120 (drawn by W. Williams on 1/19/92; Drawing No. 334).

## Burial 121

Series 11

Catalog No. 866

Datum point: 73

Grid coordinates: S 86, E 70

Elevation of cranium: 4.19 feet AMSL

Temporal group: Early

Burial 121 was of a child between 2.5 and 4.5 years old. The grave was shared with Burial 202, which lay directly beneath and held remains identified as a probable female, aged 12–18 years. The shaft fill was described as mottled brown sand, with gray-brown silty clay and yellow-brown or reddish sandy silt. The south side of the grave-shaft outline was not discernable during excavation.

The child had been laid in a four-sided coffin that tapered toward the foot. The coffin lid was exposed in the center of the large grave-shaft outline at an elevation of 4.14 feet, and the coffin bottom was at an elevation of 3.88 feet. Nails were recorded in situ at top and bottom. The wood was not identified.

The deceased was in the supine position with the head to the west. Because of poor preservation of the remains, it was not possible to determine arm position. Only small sections of the left and right

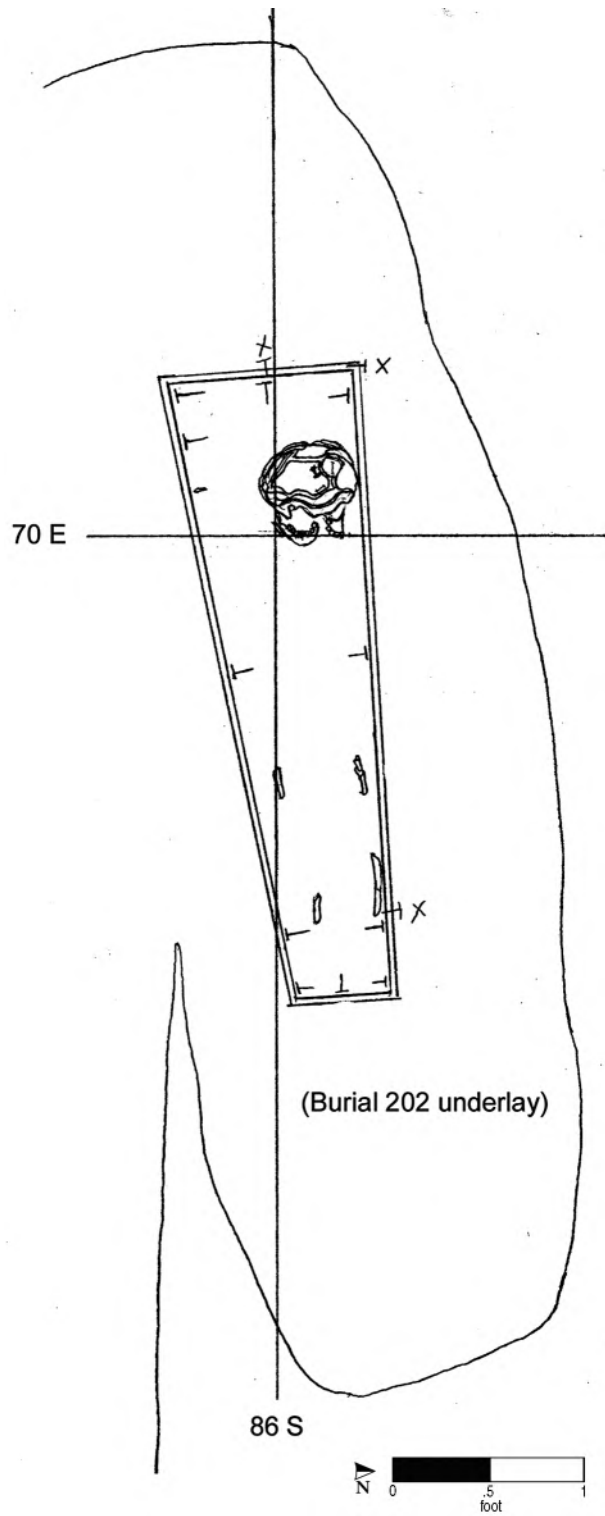
tibias and left and right femurs were present. The child's skull was crushed, but teeth were recovered in situ.

Two straight pins were recorded on the cranium, and numerous pin fragments were recorded in the laboratory. One seed was recovered from within the child's coffin, near the mandible, and possible twigs or woody stems were recovered west of the child's cranium inside the coffin. Neither the seed nor the twigs were identified. The seed was not recovered after the collapse of the World Trade Center on September 11, 2001. The small possible twigs were placed with the human remains and have been reinterred along with the skeletal remains and pins.

Burial 121 lay directly above Burial 202 and was oriented along the same axis; as noted above, the two appear to have shared the same grave. It is not possible to determine with certainty whether the child was interred at the same time as Burial 202, or shortly after, or even much later in time. However, because a separate grave outline was not discerned for Burial 121, a short time span for the two interments is probably more likely. Burial 202 is assigned to the Early Group, as is its neighboring grave to the south (Burial 120). Burial 121 has been kept with them in the Early Group.

*(continued on page 168)*

### Burial 121 (cont.)



Burial No. 121 (drawn by M. Schur on 2/21/92; Drawing No. 442).

**Burial 122**

Catalog No. 867

Datum point: 34 (coffin lid); 38 (skeletal remains)

Grid coordinates: S 93, E 61

Elevation of cranium: 3.44 feet AMSL

Temporal group: Middle

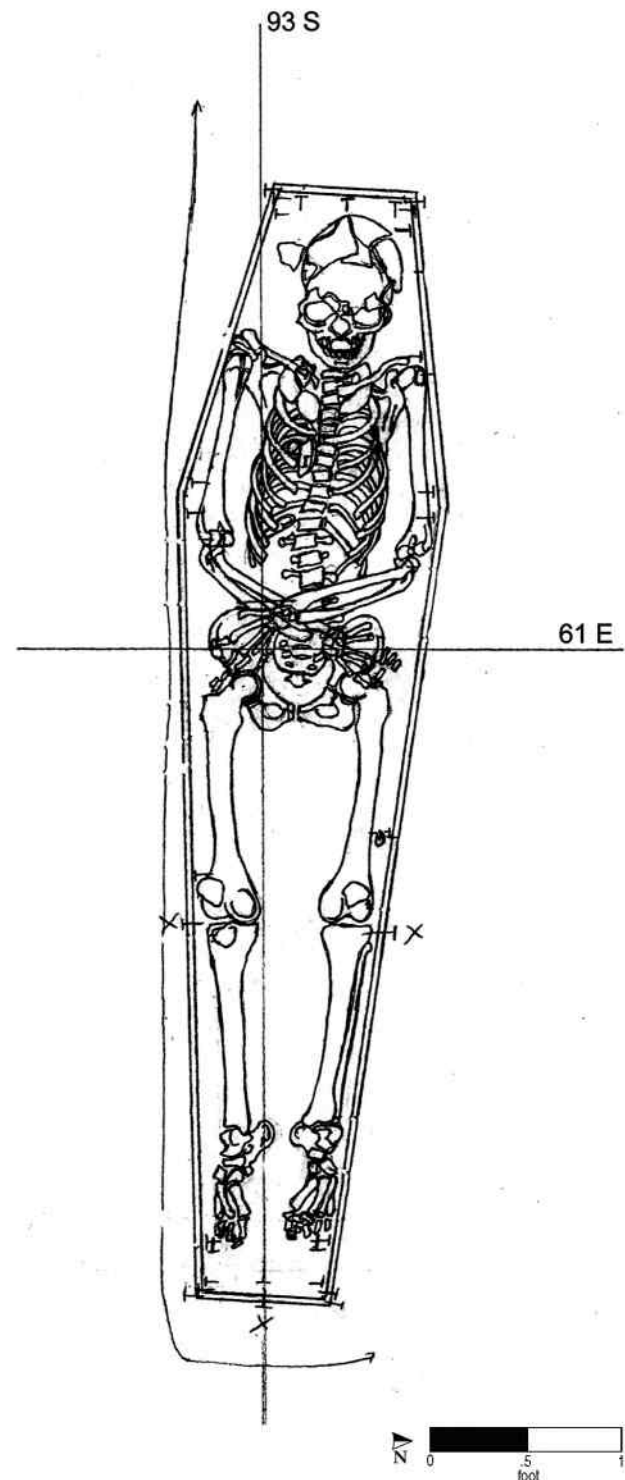
Burial 122 was of a woman between 18 and 20 years of age. The grave was located in the former Republican Alley, behind former Lot 14. Its shaft, which was discernable along the south and east sides of the grave, was filled with soil described as mottled silty clay. No artifacts were recovered from the grave-shaft fill.

The young woman's coffin lid was first recorded at elevations of 4.47 feet in the east to 4.10 feet in the northwest. The lid had split lengthwise and had slumped into the burial. After the lid had been sketched, the skeletal remains were exposed and the cranium recorded at an elevation of 3.44 feet. The coffin bottom was reached at 2.93 feet. The coffin was hexagonal in shape; the headboard and footboard sloped outward toward the top. The excavators drew a schematic profile. The wood was not identified. Nails were recorded in situ, symmetrically placed at the head and foot and along the sides. Three vertical nails, one at the foot and one on each side at the knee area, had attached the coffin lid to the sides.

Like the coffin, the skeletal remains were in very good condition, although the skull was fragmented and some erosion of bone was noted. The woman had been placed in the supine position, with her head to the west and arms crossed over her pelvis. Pins were noted on her mandible, right scapula, right clavicle, sternum, right twelfth rib head, and first lumbar vertebra. A single tooth (a molar) was found lying next to the left femur. No other artifacts were found in association with this burial.

Burial 122 was immediately south of Burial 113, and apparently slightly lower in elevation. Burial 113, unlike Burial 122, was severely disturbed, and it is possible this occurred during the interment of Burial 122 and/or Burial 104 (farther to the north).

In the absence of evidence from artifacts or location that would place it earlier or later, Burial 122 is assigned to the Middle Group.



*Burial No. 122 (drawn by M. Schur on 1/9/92; Drawing No. 313).*

## Burial 123

Series 11B

Catalog No. 868

Datum point: 40

Grid coordinates: S 89.5, E 80

Elevation of highest skeletal remains: 4.04 feet AMSL

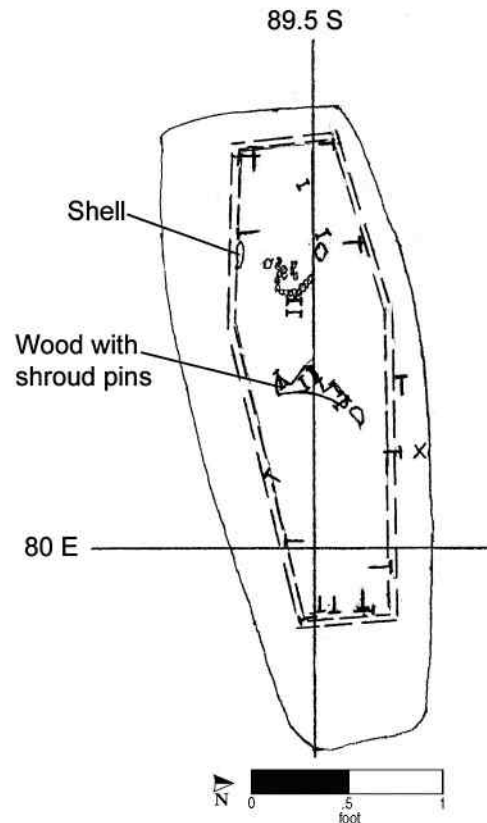
Temporal group: Late-Middle

Burial 123, located in the former Republican Alley, held the remains of an infant between 8 and 16 months old. The grave-shaft fill was described as reddish brown silt and clay; it contained no artifacts.

The coffin lid was first encountered at an elevation of 4.33 feet, the bottom at 4.12 feet. It was probably hexagonal in shape, although its outline was not clear. Based on the location of teeth, the child had been placed with the head to the west. The skeletal remains were in poor condition and consisted solely of teeth and some possible cranial fragments. Two straight pins were recorded in situ in the head area and two at the throat; pin staining was also noted on the teeth during laboratory cleaning. Five additional shroud pins were found adhering to a wood fragment at the center of the coffin.

Stratigraphically, Burial 123 lay 1.50 feet above the northwest corner of the Burial 177 grave shaft, and approximately 0.60 feet above the southwestern corner of the grave shaft of Burials 126 and 143.

Burial 110, a small pile of disturbed bones, lay 0.61 feet above the west end of Burial 123. Because of its stratigraphic position, placing it later in time than the Early Group Burial 177, and also later than the Middle Group pair in Burials 126 and 143, Burial 123 is assigned to the Late-Middle Group.



Burial No. 123 (drawn by M. Schur on 1/8/92; Drawing No. 312).



## Burials 124 and 129

Series 14

Catalog Nos. 869, 874

Datum point: Datum Point 41 is indicated on provenience sheets, but drawings indicate Datum Point 40; based on photographs that show adjacent burials, it appears Datum 41 was actually used.

Grid coordinates: S 91.5, E 95

Elevation of skeletal remains (highest): 4.01 feet AMSL

Temporal group: Burial 124, undetermined; Burial 129, Middle

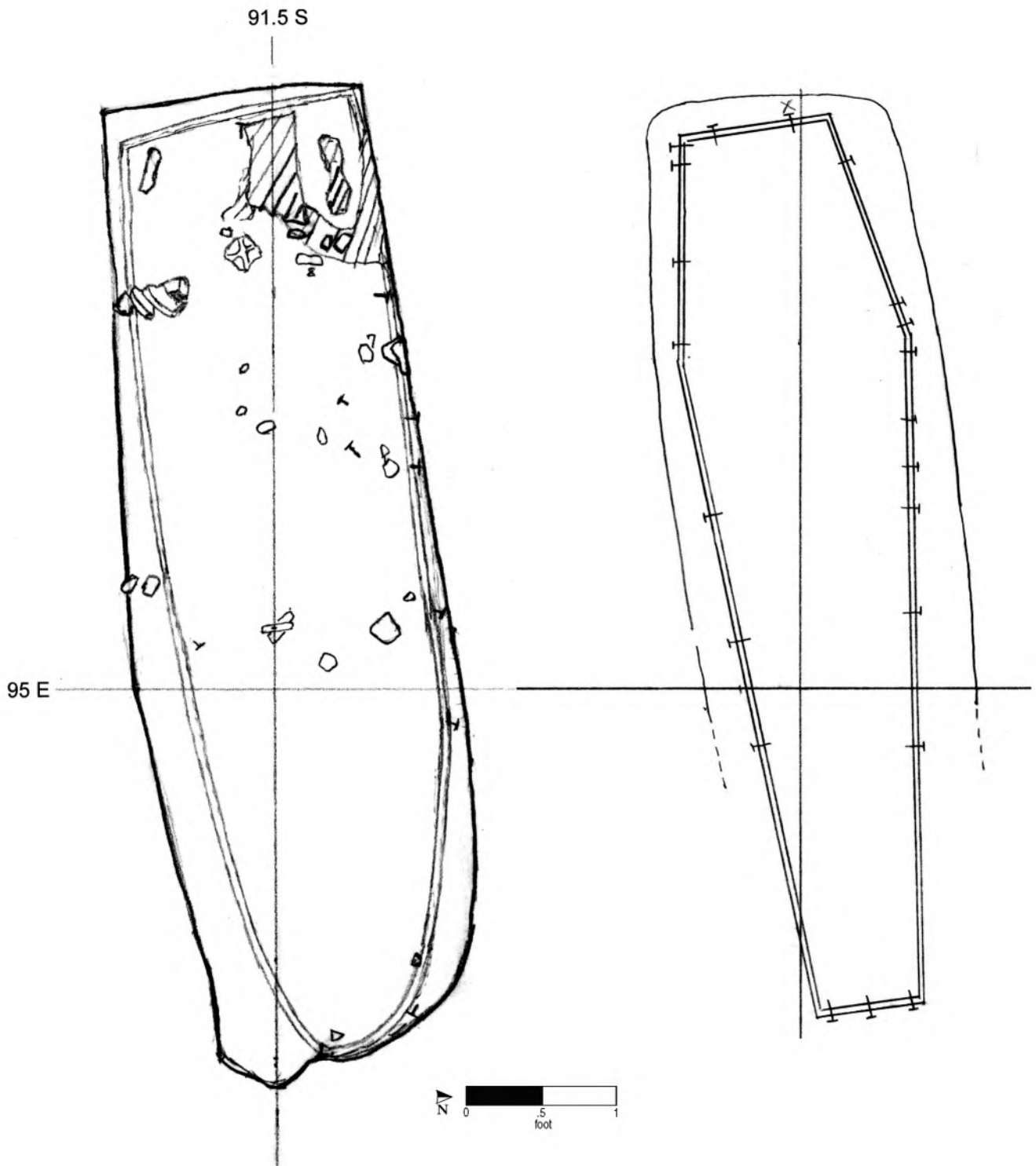
Burial 124 consisted of scattered adult bone and tooth fragments. These lay above a coffin designated Burial 129, which in turn contained no skeletal remains. Excavators hypothesized that when Burial 129 was interred it completely displaced Burial 124; however, it is not possible to determine whether one or two burials are actually represented.

The coffin lid recorded as belonging to Burial 129 was fairly well preserved, although the boards had separated and slumped inward. The coffin was first drawn as four sided and slightly tapered toward the “foot” end; however, the final burial drawing represents the coffin as hexagonal in shape. Associated soil was described as dark brown sandy silt mottled with yellow fine silt. A rubble “disturbance” was noted on the east and southeast sides of the burial. Ceramic (local stoneware) fragments were found and recorded in what was interpreted as a disturbed context overlying Burial 129.

The uppermost remains designated Burial 124 were uncovered at an elevation of 4.01 feet, and the top of the coffin designated Burial 129 was at 3.67 feet. The bottom of the coffin was at 2.42 feet. The skeletal remains recovered consisted of teeth, an occipital fragment (from back and base of the cranium), and the distal end of a humerus.

*(continued on page 172)*

### Burials 124 and 129 (cont.)



Burial Nos. 124 (left, scattered elements) and 129 (right) (drawn by E.S. and B.V. Ludwig on 1/12/92 and 1/14/92; Drawing Nos. 316 and 323).

**Burial 125**

Catalog No. 870

Datum point: 45

Grid coordinates: S 64.5, E 52

Elevation of cranium: 3.96 feet AMSL

Temporal group: Late

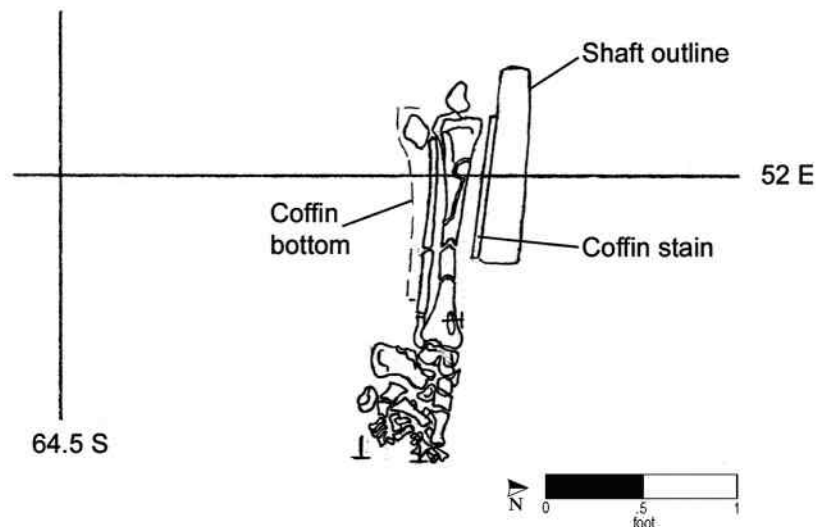
Burial 125 was of a probable woman, whose age could not be determined. It had been severely disturbed by a nineteenth-century foundation, the west side of a structure on Lot 14. The skeletal remains consisted only of partial left lower leg and foot bones. The associated soil was described as grayish brown sandy silt.

The excavator noted that the coffin in general was in extremely poor condition. No trace of the lid was encountered. The bottom was fairly intact under and near the left lower leg; excavators identified a

very small section of the coffin's side based on the presence of a dark organic stain. A grave cut was indicated on the field drawing at the east side of the organic stain. The elevation of the coffin stain was recorded at 3.75 feet and the bottom wood at 4.09 feet. Three coffin nails were recorded in situ at the foot end of the burial. No artifacts other than the coffin remains were recovered in direct association with the deceased. A fragment of bottle glass recovered later from the "coffin fill" soil sample was probably from the shaft-fill matrix.

Burial 125 did not overlap with any other burials. It may have been part of a north-south row that also included Burials 188 and 162 to the north. These were also disturbed by the foundation.

Because of its location well north of the line of postholes marking a fence at what was once the northern boundary of the cemetery, Burial 125 is assigned to the Late Group.



*Burial No. 125 (drawn by M. Schur on 1/17/92; Drawing No. 331).*

## Burials 126 and 143

Series 11B

Catalog No. 871

Datum point: 40

Grid coordinates: S 88.5, E 80.5

Elevation of cranium: Burial 126, 3.40 feet AMSL; Burial 143, 3.11 feet AMSL

Temporal group: Middle

Burials 126 and 143 represent two children who shared a single coffin. Their ages were 3.5–5.5 years (Burial 126) and 6–10 years (Burial 143). The grave lay beneath a foundation wall from a nineteenth-century building on Lot 15. The fill from the grave shaft was described as very compact, very stony silt. It contained small fragments of wood scattered throughout, possibly from the disturbed coffin of Burial 261 that lay underneath. In addition, excavators observed a shell and kiln furniture in the grave shaft, but these items were apparently not retained. The northern part of the grave-shaft outline had been cut into by a later grave to the north, Burial 198.

The stain from the coffin lid of Burials 126 and 143 was first encountered at an elevation of 4.29 feet at the west end. The interior of the coffin contained soil described as softer and “iron stained,” with some charcoal flecks. The skeletal remains of Burial 126 lay directly over, and were exactly aligned with, those of Burial 143, as though the two

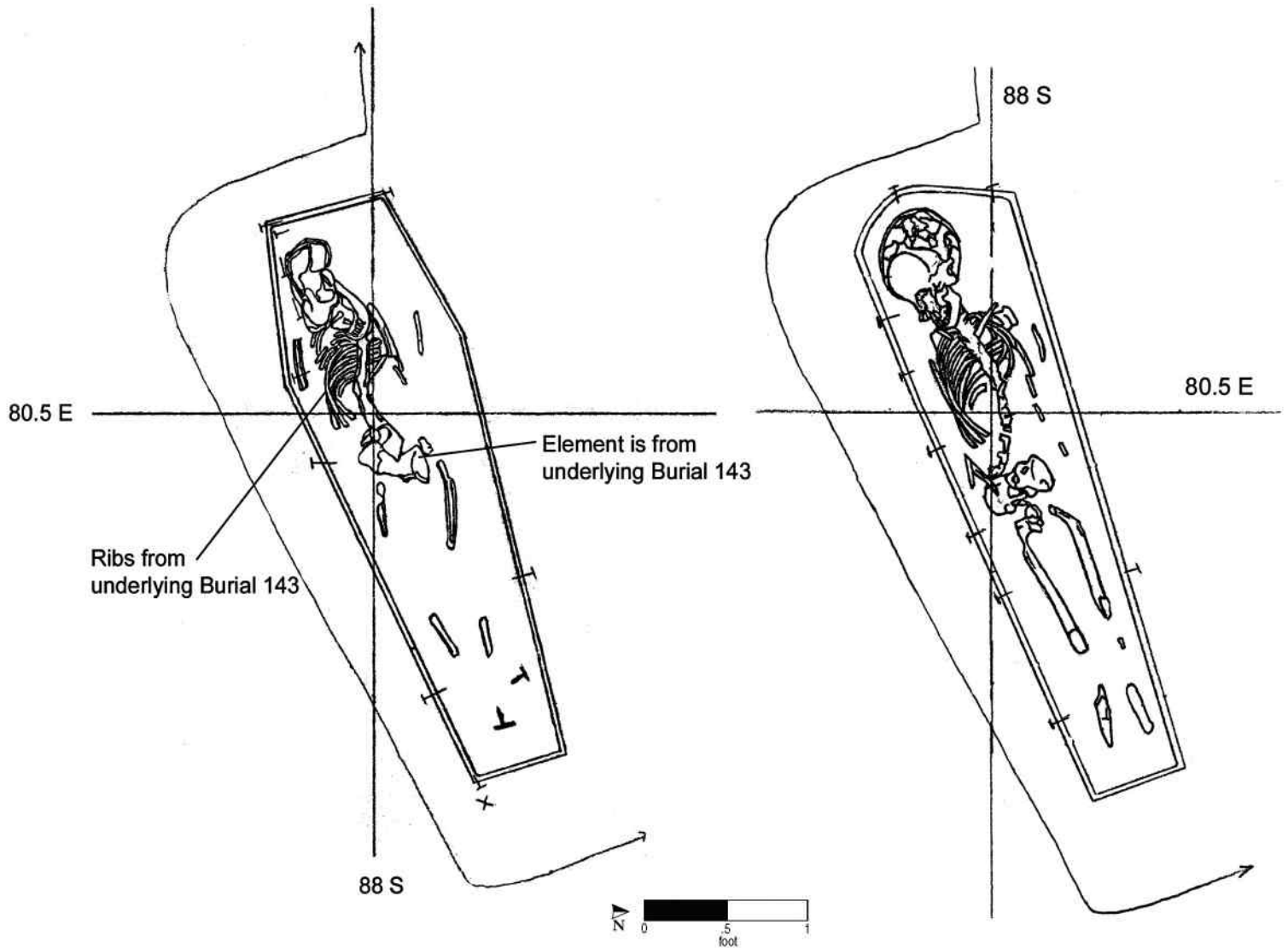
children had been laid one atop the other. The coffin itself was unusually deep in dimension, suggesting it was designed to hold two individuals. Excavators noted a series of coffin nails resting inside the coffin and adjacent to the south side of the Burial 126 cranium, a possible indication that there were in fact two separate coffins, but based on a preponderance of evidence, it is fairly certain that only one coffin contained both individuals.

The coffin appears to have been hexagonal in shape, based on the stain from its south side. The coffin bottom was recorded at an elevation of 2.95 feet along the eastern footboard. A wood sample from the lid was later identified as spruce. The children were placed in the supine position with their heads to the west. The Burial 126 cranium was described as crushed and mushy, and the outer surface of bone pulled away with the soil. The child’s postcranial elements were eroded, and the long bones were missing. Portions of the Burial 143 long bones were also missing.

Straight pins were noted on the skull and vertebral column of Burial 126 during excavation, however, none was depicted in situ or recovered.

Burials 126 and 143 cut into and largely destroyed an underlying burial designated Burial 261. Burial 198, in turn, cut into the northwest edge of Burials 126 and 143. Because the grave destroyed an underlying burial, Burials 126 and 143 are placed in the Middle Group.

Burials 126 and 143 (cont.)



Burial Nos. 126 (left) and 143 (right) (drawn by M. Schur and W. Williams on 1/16/92 and 1/22/92; Drawing Nos. 327 and 338).

## Burial 127

Series 14

Catalog No. 872

Datum point: 41A (0.07 feet below Datum Point 41)

Grid coordinates: S 90, E 95

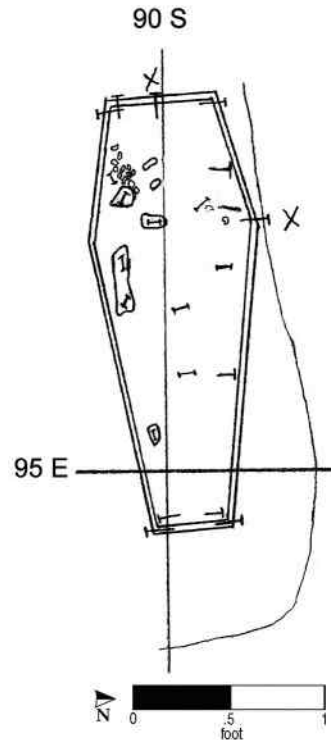
Elevation of highest skeletal remains: 2.78 feet AMSL

Temporal group: Middle

Burial 127 held the remains of a child 8–16 months old. The grave was located near the eastern limit of the preserved burials along the former Republican Alley. The fill of the grave shaft was described as reddish brown, very compact sandy silt, and no artifacts were recovered from within it. The southern and western outlines of the grave shaft were not observed.

The coffin lid was first encountered at an elevation of 3.68 feet, based on a nail found on the western edge; the coffin bottom was at an elevation of 2.68 feet, recorded along the northern edge. The coffin was hexagonal in shape, and the infant had been placed with the head to the west. The skeletal remains were in extremely poor condition, consisting only of teeth and two bone fragments. Ten shroud pins were mapped in situ, five adhering to wood fragments.

Burial 127 was immediately adjacent to the north side of Burial 124/129, but it is not possible to determine the stratigraphic relationship between these burials from field records. Burial 127, lacking temporal evidence, is assigned to the Middle Group.



*Burial No. 127 (drawn by M. Schur on 1/12/92; Drawing No. 317).*

**Burial 128**

Series 11B

Catalog No. 873

Datum point: 40

Grid coordinates: S 92.5, E 83

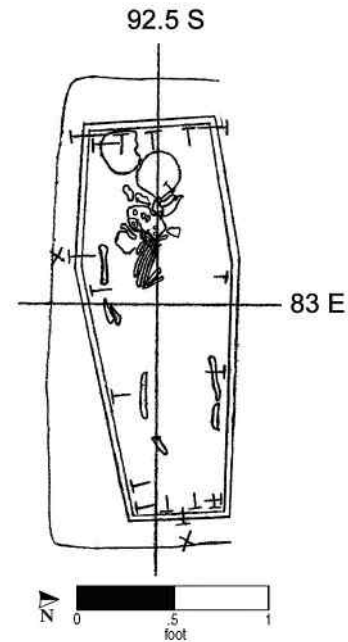
Elevation of cranium: 3.45 feet AMSL

Temporal group: Middle

Burial 128 was of an infant under 2.5 months old. The grave was located in the former Republican Alley. The shaft outline was visible except on the north side, and the fill consisted of dark gray-brown silt mottled with yellow silt. No artifacts were recovered from the grave-shaft fill. The coffin lid was first encountered at an elevation of 3.66 feet, the bottom at 3.35 feet. A wood sample was identified as cedar.

The coffin was hexagonal in shape. The infant had been placed in the supine position with the head to the west. Six teeth were present, but the skeletal remains were in poor condition. Three straight pins were recorded in situ, one at the left mandible, one on the skull, and one on the vertebral column. Pin stains were also recorded.

The grave of Burial 128 was dug partially into the grave shaft of Burial 177, which lay approximately 1.40 feet below. Burial 177 is an Early Group burial of an adult of undetermined sex. Burials 169 (of a child) and 123 (of an infant) also overlay Burial 177. Because it had a hexagonal coffin and there is no other temporal evidence, Burial 128 is assigned to the Middle Group.



*Burial No. 128 (drawn by M. Schur on 1/16/92; Drawing No. 330).*

## Burial 129

See Burial 124.

## Burial 130

Catalog No. 875

Datum point: 38

Grid coordinates: S 92, E 56

Elevation of cranium: 3.27 feet AMSL

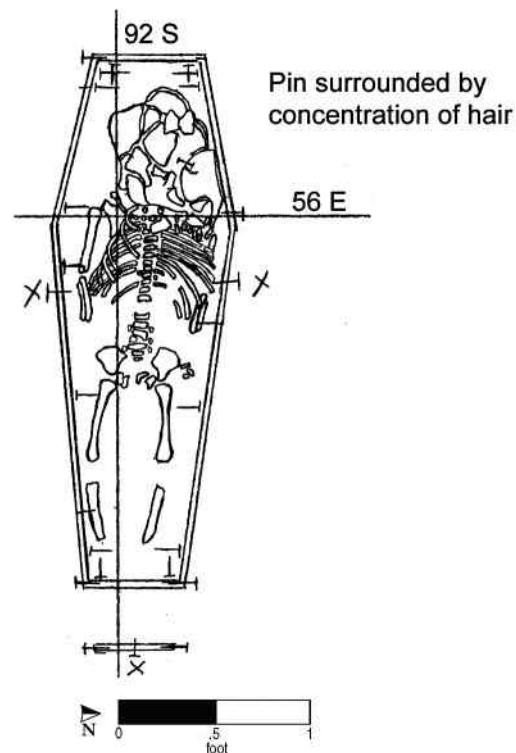
Temporal group: Middle

Burial 130, located in the former Republican Alley, to the rear of Lot 14, held the remains of a child between 1 and 2 years old. Associated soil was described as mottled silty clay, but no grave-shaft outline was recorded by excavators. The shaft fill yielded three fragments of bottle glass and one tobacco pipe bowl fragment. The coffin was first encountered at an elevation of 3.71 feet, based on nails found in the southwest corner, and the bottom was reached at 3.26 feet at the same corner. The coffin was hexagonal in shape, with three nails in each corner (one at top and two at bottom) and three along each side. Two wood samples were identified, one as cedar and one as eastern red cedar.

The child had been placed in the supine position, head to the west, and arms at the sides. Skeletal remains were fragile but relatively complete. The cranium was crushed, but all deciduous teeth were present. Portions of the hands and feet were missing. One straight pin was recorded in situ on the cranium, surrounded by a concentration of hair, and copper staining was noted on a thoracic vertebra.

The field drawing shows an extra coffin edge, thought at the time to be from a possible burial to the east, located approximately 0.3 feet to the east of Burial 130, at an elevation of 3.53 feet. However, in the photographs taken during excavation, it appears that this edge was actually the top of the footboard of the Burial 130 coffin. The board would have been sloped outward toward the top, as was the case for a number of coffins excavated at the cemetery.

Burial 130 was located immediately west of Burials 122 and 113 and at a similar elevation, but no direct stratigraphic relationship was recorded. Lacking evidence that would place it otherwise, Burial 130 is assigned to the Middle Group.



*Burial No. 130 (drawn by M. Schur on 1/15/92; Drawing No. 325).*



## Burial 131

Series 11

Catalog No. 876

Datum point: 40

Grid coordinates: S 91.5, E 76.5

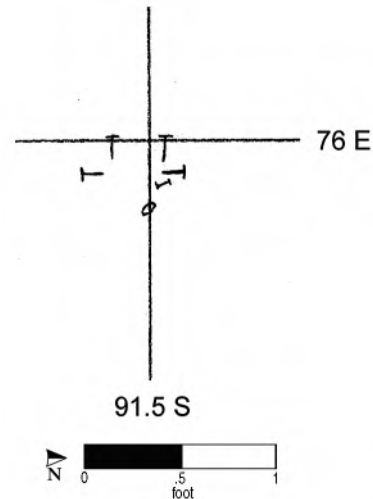
Elevation of highest skeletal remains: 3.83 feet AMSL

Temporal group: Late

Burial 131 was highly disturbed, consisting of only four nails and a subadult bone fragment. No description of the grave shaft was recorded, and no coffin wood was preserved. At 3.85 feet, the excavators recorded coffin nails in a pattern that suggested the western end of a coffin. The lowest recorded elevation of the presumed coffin was 3.80 feet. The coffin shape and burial position are impossible to determine. The trace of a brass pin was noted, but the item was not recoverable.

Burial 131 overlay the eastern end of Burial 155 by 0.91 feet. It was apparently overlain by another highly disturbed burial, Burial 117 (assessed as

the remains of a fetus), and it is possible that Burial 131 and Burial 117 represent a single individual. Several other very disturbed burials, including Burials 99, 110, and 112, were located nearby. It seems likely that these burials lay within the uppermost, and latest, stratum of the burial ground, and were thus exposed to disturbances from nineteenth-century construction as well as from heavy machinery during the current project.



*Burial No. 131 (drawn by M. Schur on 1/12/92; Drawing No. 321).*

## Burial 132

Catalog No. 877

Datum point: 45 (west portion); 43 (east portion)

Grid coordinates: S 64.5, E 61.5; S 63.5, E 64.5

Elevation of cranium: 4.01 feet AMSL

Temporal group: Late

Burial 132 was of a man between 25 and 30 years old. The grave was located in a disturbed area of the excavated cemetery, in the central portion of Lot 14. Associated soil was described as a reddish brown-yellow and gray silt and clay. The excavator noted that there were large amounts of rubble from what was labeled as a “modern” disturbance, but no rubble was collected for the laboratory. The only materials recovered from the grave fill were a few mammal bones. The grave-cut outline was generally ovoid but irregular in shape, especially along the north side.

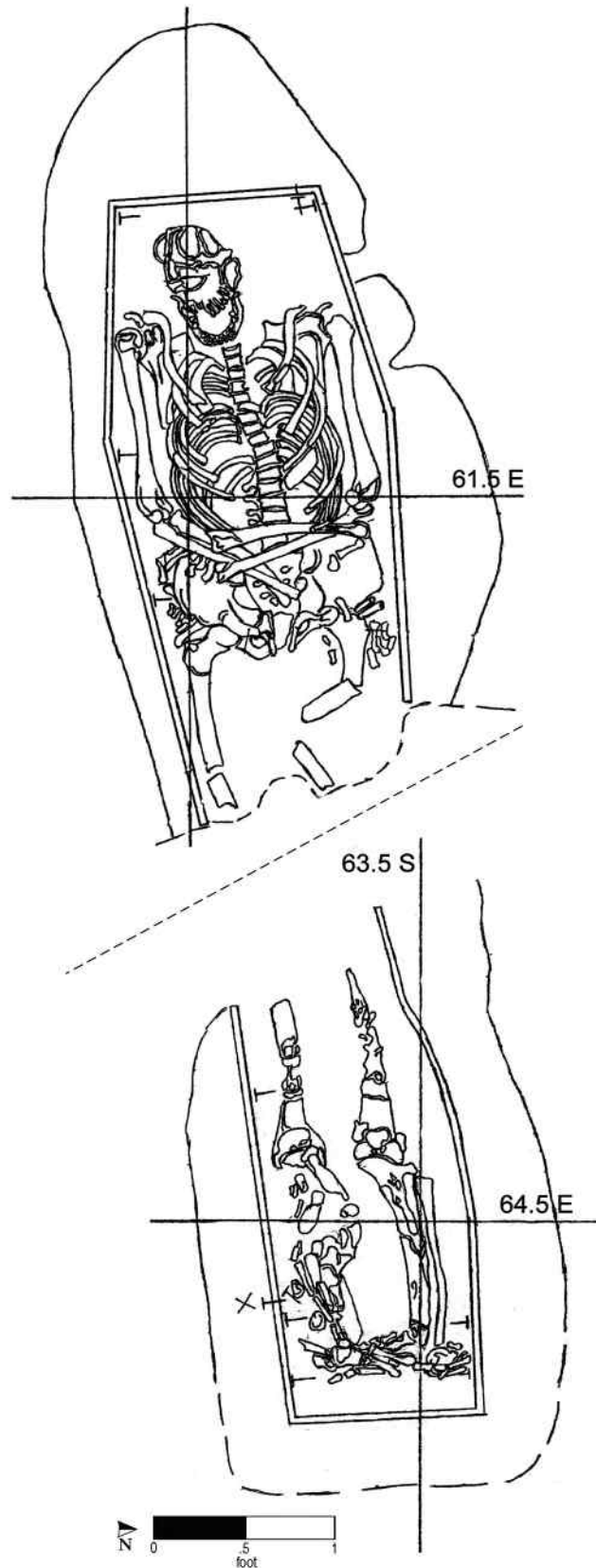
When first excavated, it was believed that the burial had been truncated at the femurs and the lower extremities were missing. However, the eastern part of the coffin and skeletal remains were discovered and excavated about 3 weeks later. This part of the burial lay at a slightly lower elevation, beneath the rubble. The elevation of the coffin lid was

recorded at 3.85 feet in the western portion. The coffin bottom in the west portion was at 3.8 feet, and the lowest point of the skeletal remains in the east portion was 3.49 feet. Nails were recorded in situ around the perimeter of the coffin only at the bottom, although additional nails were cataloged in the laboratory.

The coffin was hexagonal in shape. The man had been placed in the supine position with his head to the west. His skull was crushed and distorted, but the rest of the skeleton was in fair to poor condition. The left arm was crossed over the right arm on top of the pelvis, which is a rare configuration in the excavated sample of burials.

Burial 132 was fairly isolated, with no discernable relationship to other burials. As noted, it lay in a portion of the cemetery that had been disturbed by later development. Burial 132 was at a similar elevation to other disturbed burials in the vicinity. Although it is possible that additional burials near Burial 132 were destroyed, it is likely the density of interments in this area was originally low. The location is to the north of the fence line that once ran from southwest to northeast across the cemetery and presumably once marked its northern boundary. Because of its location, Burial 132 is assigned to the Late Group.

Burial 132 (cont.)



Burial No. 132 (drawn by M. Schur on 1/24/92 and 2/12/92; Drawing Nos. 343 and 406).

## Burial 133

Series 13

Catalog No. 878

Datum point: 40

Grid coordinates: S 96, E 78

Elevation of cranium: 4.06 feet AMSL

Temporal group: Middle

Burial 133, located along the southern edge of the former Republican Alley, yielded the remains of a child between 1 and 2 years old. The excavators described the associated soil as dark gray-brown silt mottled with yellow-brown silt. The coffin lid was first encountered at an elevation of 4.06 feet in the western portion of the burial. It sloped downward to the east.

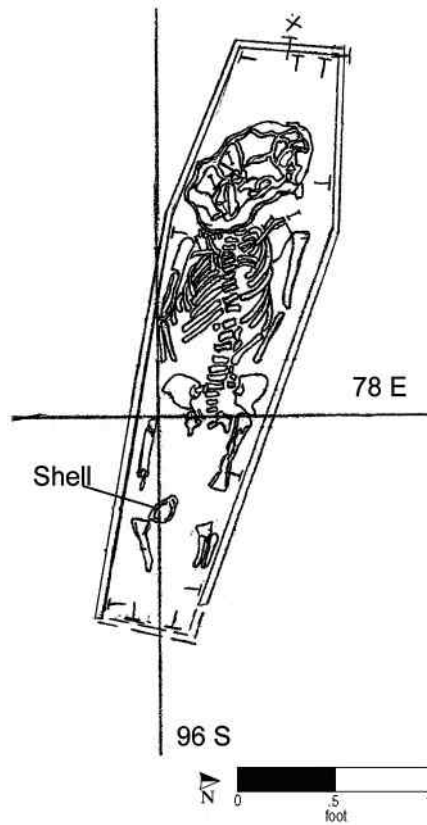
The child had been interred in a hexagonal coffin. The child had been placed in the supine position, with the head to the west and arms resting at the sides. Numerous nails were recorded in situ around the coffin perimeter.

The skeletal remains were in poor condition; the child's skull was crushed and portions of the long

bones were missing. Excavators noted that the child's head tilted downward, slumping forward and resting on the right clavicle. The remains looked displaced from the head of the coffin, as if they had slid down towards the footboard. Four straight pins (two on the cranium and two near the left clavicle) and a shell (above the medial side of the right tibia) were recorded in situ along with the skeletal remains; it is possible the shell had been placed within the coffin at the time of burial. Copper staining was also noted at the left ribs, possibly from one or more additional pins.

Burial 133 overlay Burial 154. No grave-shaft outline was recorded for Burial 133, and it is possible it was interred within the grave of Burial 154, perhaps following a brief interval. Its relationship to Burial 116 (which also overlay Burial 154) is unclear; Burials 133 and 116 appear to have been placed end to end, with the head of Burial 116 at the foot of Burial 133. Lacking evidence to place them otherwise, Burial 116, as well as Burials 133 and 154, are assigned to the Middle Group.

Burial 133 (cont.)



Burial No. 133 (drawn by M. Schur on 1/19/92; Drawing No. 332).

## Burial 134

Series 19

Catalog No. 879

Datum point: 44

Grid coordinates: S 62.5, E 85

Elevation of Cranium: 2.23 feet AMSL

Temporal group: Late

Burial 134 was located in former Lot 15, to the north of the line of postholes representing a fence that once crossed the cemetery. It held the remains of a woman between 40 and 50 years old. The grave-shaft outline was recorded as rectangular in shape, but it was not entirely discernable because the northern and southern sides were partly within excavation balks. The grave fill was described as mottled silty clay with red sand. No artifacts were recovered from the grave fill.

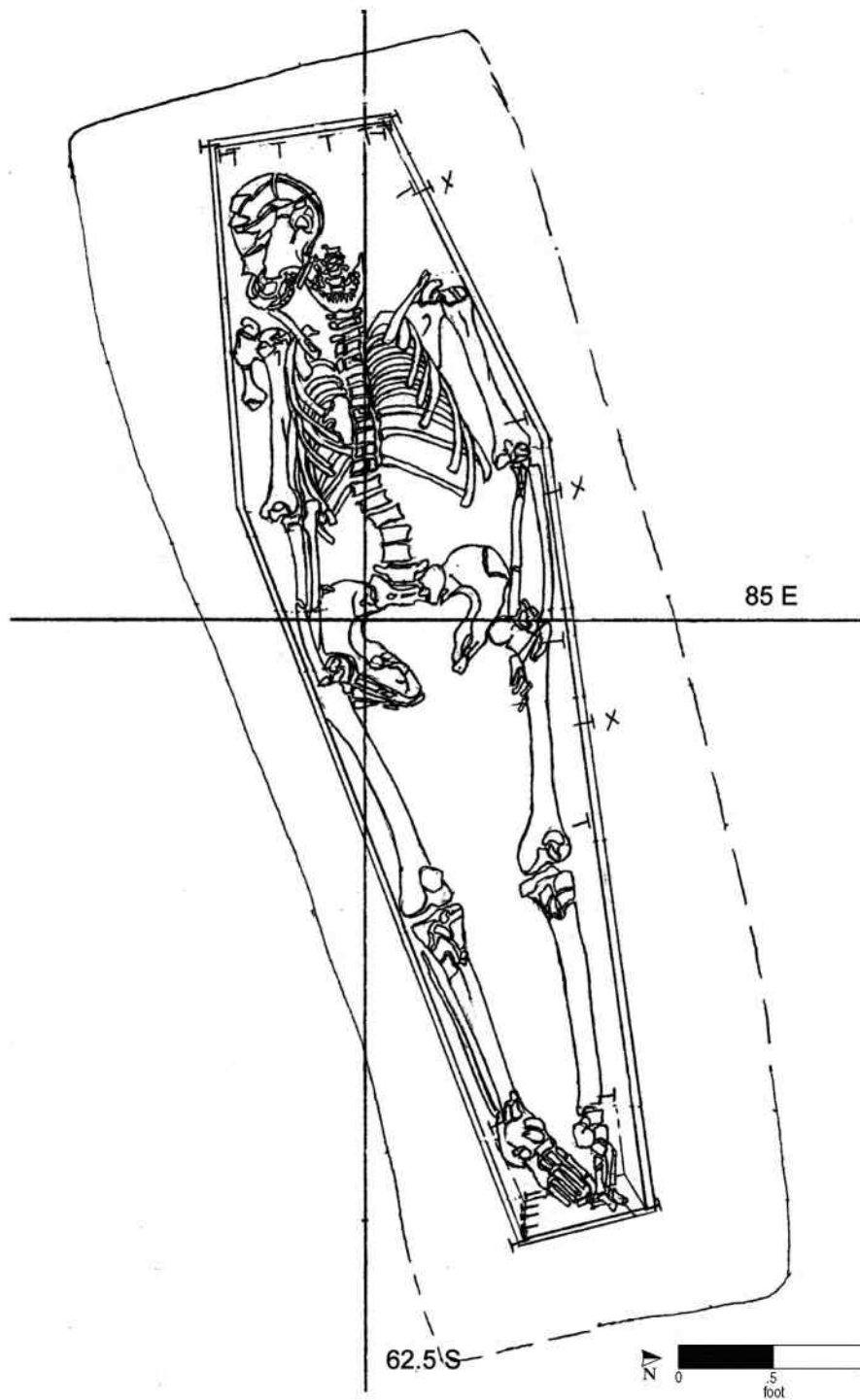
The woman had been buried in a supine position in a hexagonal coffin. Her head was to the west,

and her arms rested at her sides. The coffin lid was recorded at an elevation of 2.66 feet and the bottom at 1.67 feet. Samples of the lid were taken, but the wood was never identified. Nails were recorded in situ around the perimeter at both top and bottom of the coffin. Notably, five nails secured the right corner joint of the foot end of the coffin.

The skeletal remains were complete and were described as being in fair to poor condition; most of the long bones were broken and the cranial vault and face were crushed. The fragments of one straight pin were recovered during cleaning of the bones in the laboratory. Its exact provenience is unknown.

The foot end of Burial 134 was overlain by the head end of Burial 174, indicating that Burial 174 postdates Burial 134. Because of their location north of the fence line, both burials are placed in the Late Group.

Burial 134 (cont.)



Burial No. 134 (drawn by M. Schur on 2/15/92; Drawing No. 431).

## Burial 135

Catalog No. 880

Datum point: 42

Grid coordinates: S 70, E 70

Elevation of cranium: 2.81 feet AMSL

Temporal group: Late

Burial 135 was of a man between 30 and 40 years old. The grave was located immediately to the north of the line of postholes from the fence that once crossed the cemetery, at the rear of former Lot 14. The grave-shaft outline appeared rectangular in shape on the east, west, and south sides, irregular in shape on the northwest. The grave-shaft fill was described as mottled red sand, with ochre, yellow, and gray clay mixed with red sand subsoil. A tiny sherd of white salt-glazed “scratch blue” ceramic and a few mammal bones were recovered from the grave-shaft fill. The stoneware provides a terminus post quem (earliest date) of the mid-1740s for the interment.

The man’s coffin was hexagonal in shape. The elevation of the lid was recorded at 3.23 feet, the bottom at 2.31 feet. The coffin sloped down toward the north. There were 15 nails recorded in situ around the coffin’s perimeter at the top and bottom. One screw was subsequently identified among the nails in the laboratory. The man had been placed in a supine position with his hands resting on his pelvis. The right hand lay palm-up and the left palm-down.



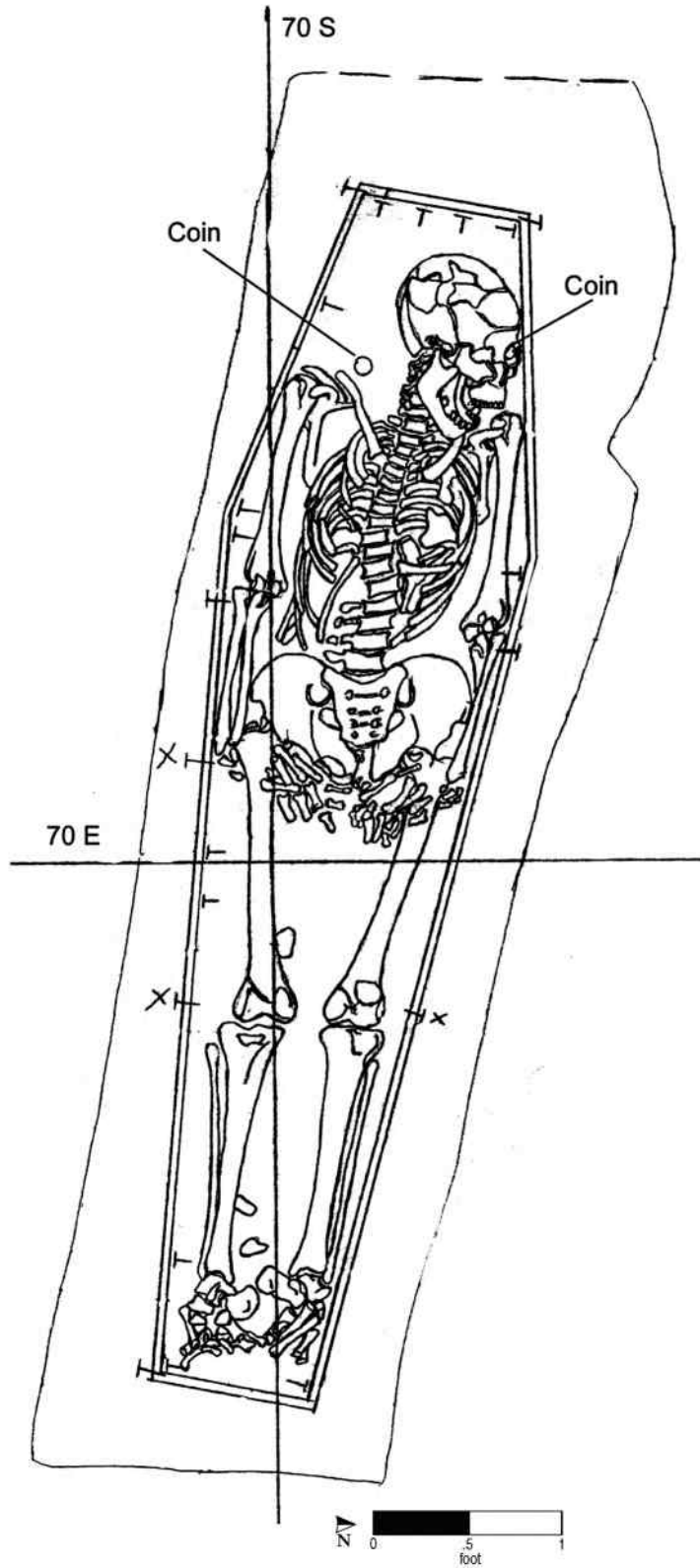
Two copper coins were found within the burial. One was found in place in the left eye socket, the other

above the right shoulder; it probably originally had been placed on the right eye. One of the coins was X-rayed at the Metropolitan Museum of Art and has been identified as a George II half penny (1727–1760). Excavators noted that there was cloth and some hair preserved on the coins. Three wood fragments with copper-alloy staining and fiber fragments were cataloged in the laboratory. There was also a mica schist fragment recovered during cleaning of the bones in the laboratory.

Two apparent postholes, given archaeological feature numbers 200 and 201, abutted Burial 135 along the south and north sides of the grave shaft, respectively. These were originally designated Burials 139 and 140 and were reassigned in the laboratory—Burials 139 and 140 are void. Based on an analysis of field records, these postholes were apparently dug partially into the grave shaft of Burial 135. A field map shows stones lying within each of the features, but no other information on their contents was recorded. The southern of the two postholes, Feature 200, appears to have been aligned with numerous other postholes that have been taken to represent a fence line that once crossed the cemetery from southwest to northeast. Therefore, it is likely that Burial 135 predates at least one version of the fence. It was placed outside the northern edge of the cemetery during a time when the fence was not standing. This may have occurred during or after the British occupation of the city and before the surveys of the Calk Hook and Kip properties. These surveys took place in 1787 and 1795 respectively, and a new fence may have been built in one of those years.



Burial 135 (cont.)



Burial No. 135 (drawn by M. Schur on 1/29/92; Drawing No. 357).

## Burial 136

Catalog No. 881

Datum point: 41

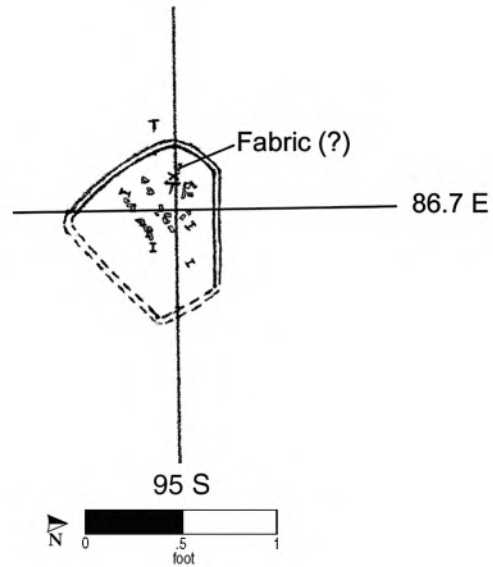
Grid coordinates: S 95, E 86.7

Elevation of highest skeletal remains: 4.09 feet AMSL

Temporal group: Middle

Burial 136 represented very partial remains of an individual of undetermined age and sex. The field assessment characterized the burial as “unidentifiable fetal remains.” Associated soil was described as sandy silt, but no grave-shaft outline was recorded. A remnant of a coffin lid was encountered at an elevation of 4.09 feet, at which point excavators began uncovering the skeletal remains. A coffin outline was identified on the west side, along with one nail (possibly in situ) and rust stains. After the remains were fully exposed, excavation ceased at an elevation of 3.94 feet; no evidence of a coffin bottom was discerned. The coffin shape and the orientation of the deceased cannot be determined. Four pin fragments and one probable fabric fragment (possibly linen) were recovered along with the remains.

Burial 136 lay 1 foot east of Burial 114 and 1 foot west of Burial 116 (both adults), at a slightly higher elevation. It is not clearly associated with either. By default, Burial 136 is assigned to the Middle Group.



Burial No. 136 (drawn by W. Williams on 1/16/92; Drawing No. 328).