



Medical

i3 ZERO

Disposable tap filter



INTENDED USE & FIELDS OF APPLICATION

i3 ZERO disposable water filters for Point-of-Care are supplied e-beam irradiated and 100% integrity tested. The dual layers of membrane include a 0.2 μm membrane validated for the retention of bacteria generally in accordance with ASTM 838, the standard that defines sterilizing grade filters: The membrane also retain protozoa, fungi and particles larger than 0.2 μm . The filters are intended for use for water supply devices including water dispensers, taps, showers, water treatment equipment and other similar uses.

FEATURES

Bacterial retention
as per ASTM F838

Water filtration with a sterilizing grade membrane
with a pore size of 0.2 μm (microfiltration)

Duration of use: 40 days

High, stable flow rate
throughout the period of use

Protection due to the bacteriostatic
properties of the filter housing in accordance
with ISO 22196

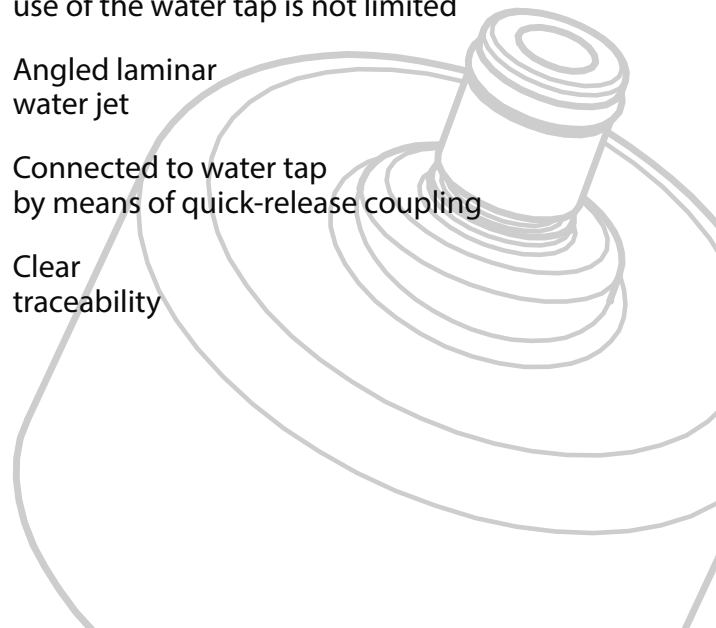
Filter surface can be disinfected
by wiping

Compact design means
use of the water tap is not limited

Angled laminar
water jet

Connected to water tap
by means of quick-release coupling

Clear
traceability





Medical

TECHNICAL SPECIFICATIONS



APPLICATIONS

Water tap



FLOW RATE

3.2 gal/min (12 L/min.) at
75 psi (5 bar) initial



EXTRANEOUS CONTAMINATION

> 4 log *Pseudomonas aeruginosa*,
Escherichia coli, *Staphylococcus aureus*
in 24 hr.



AUTHORIZED FOR USE WITH DRINKING WATER

Plastics suitable for use with drinking
water as per BS 6920



BACTERIAL RETENTION

> 7 log (*Brevundimonas diminuta*)
per cm² of filter area



DISINFECTION

Can be disinfected by wiping with
normal surface disinfectant



OPERATING TEMPERATURE

max 140 °F (60 °C)
max 158 °F (70 °C) for 30 mins.



DURATION OF USE

40 days



OPERATING PRESSURE

max 75 psi (5 bar)



SHELF LIFE

5 years



MEMBRANE

i3 High performance flat membrane



ATTACHMENT

Quick-release coupling is
required for installation



CHLORINE RESISTANCE

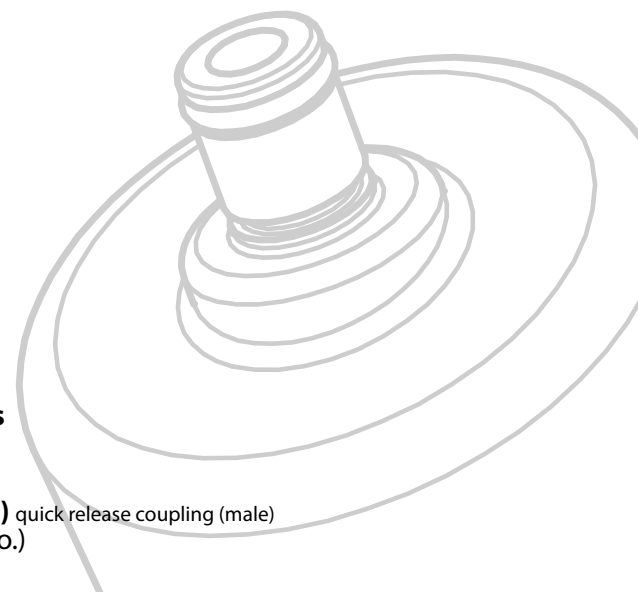
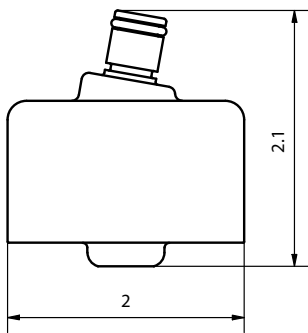
≤ 200 ppm active chlorine for 1 hour
≤ 10 ppm active chlorine for 40 days



LABELLING

Serial number / DataMatrix Code
for documentation of filter changes

DIMENSIONS (inch)



ORDER INFORMATION



i3 ZERO Disposable water filter, tap
203101 (Item no.)



Packaging units
12 pcs / 48 pcs



55/64"-27 (M22) quick-release coupling (female)
2060000 (Item no.)



15/16"-27 (M24) quick release coupling (male)
2060001 (Item no.)

EUROPE

i3 Membrane GmbH
Christoph-Seydel-Str. 1
DE-01454 Radeberg
Germany

NORTH AMERICA

i3 Membrane Corporation
11330 Vanstory Drive
Huntersville NC. 28078
USA

www.i3membrane.com
support@i3membrane.com

Phone: (+1) 980 888 8117

Your Companion
Life Science Filtration

